

ITEM 114981 RPS-M-E-3131SC175M

| Description | Technical data | Accessories | Downloads |
|-------------|----------------|-------------|-----------|
|-------------|----------------|-------------|-----------|



Features

- › Metal housing
- › Emergency stop device with detent mechanism according to EN ISO 13850 and EN 60204-1
- › Clamping head for pull rope
- › Indication of correct rope tension
- › 3 cable entries M20 x 1.5
- › Switching elements with 4 switching contacts
- › Pre-failure monitoring for the rope tension

Switching elements

3131 Slow-action switching contact 2 NC \ominus + 2 NO

Approvals



Mechanical values and environment

| | |
|--------------------------------------|-------------------------------|
| Housing material | Die-cast aluminum |
| Weight | |
| Net | 1 kg |
| Ambient temperature | -30 ... 80 °C |
| Degree of protection | IP67 |
| Mechanical life | 0,1 x 10 ⁶ |
| Switching principle | Slow-action switching contact |
| Rope diameter | 2 ... 5 mm |
| Installation position | Any |
| Number of positively driven contacts | 2 |
| Number of NO contacts | 2 |
| Connection | |
| | 3 x M20 x 1.5 |
| Actuation frequency | max.1200 1/h |
| Actuating force | 175 N |

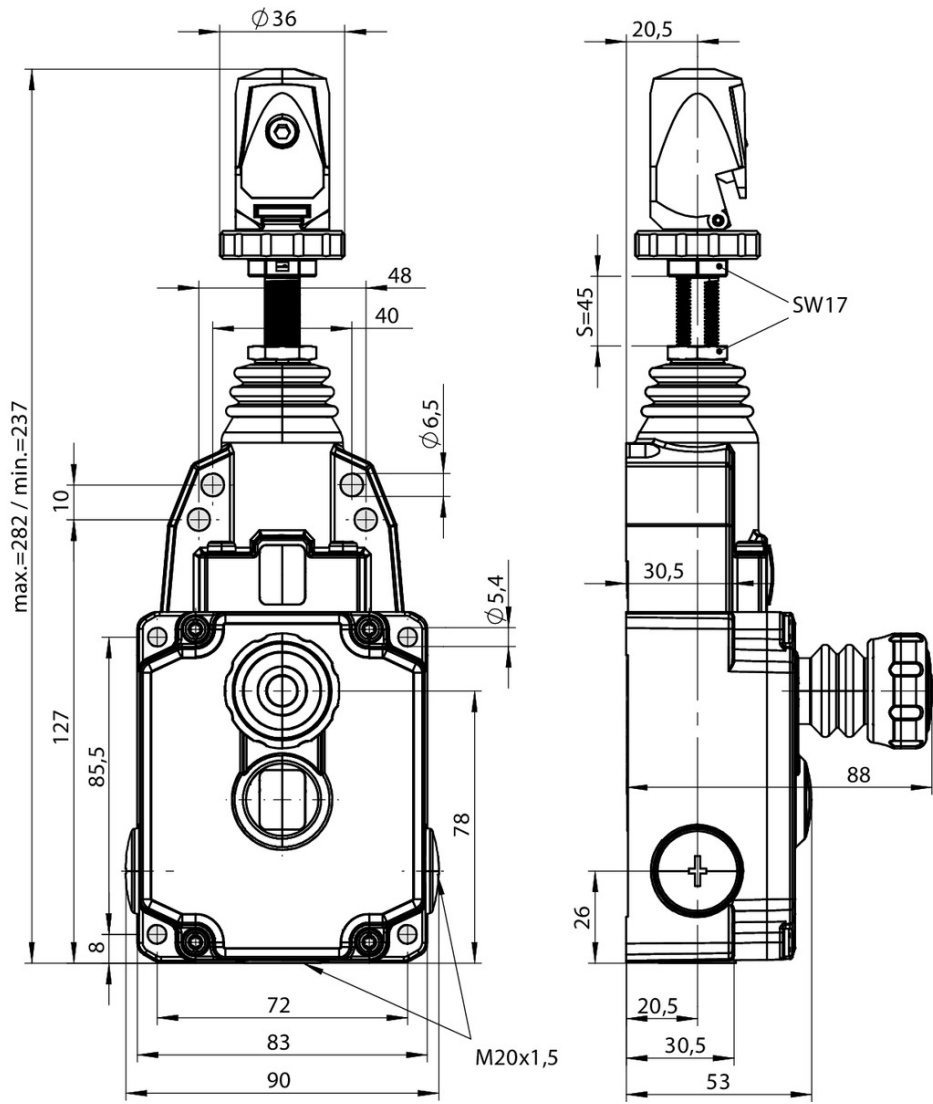
Electrical connection ratings

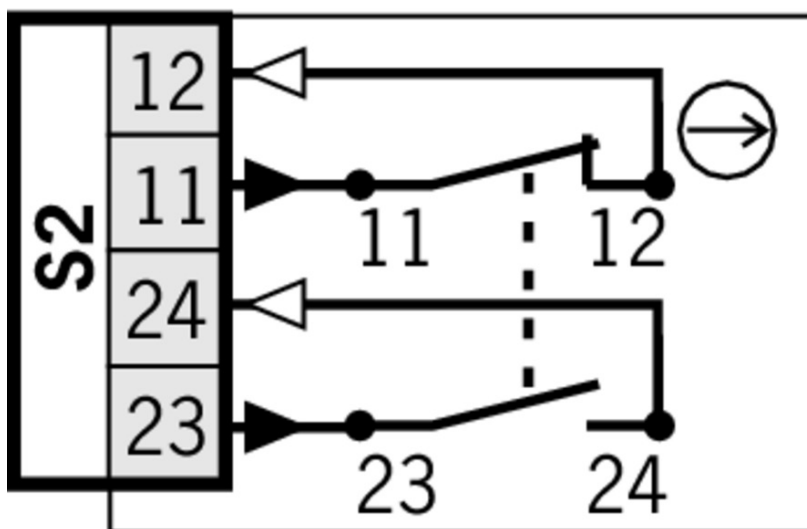
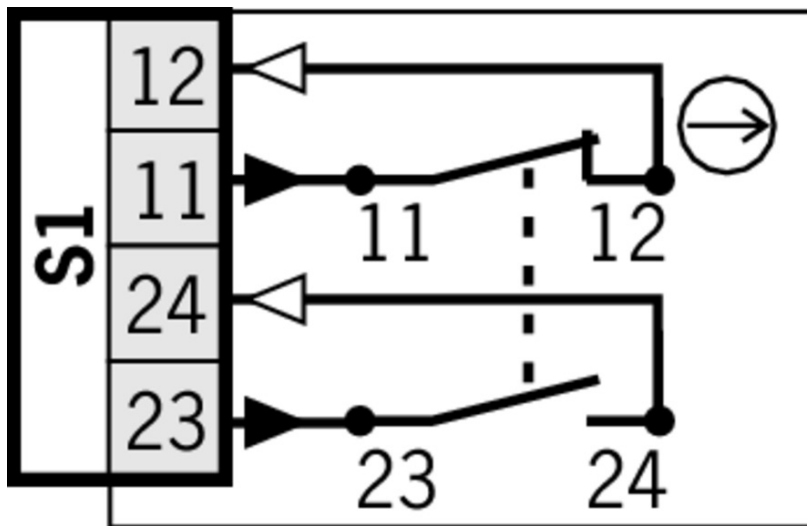
| | |
|---|-----------------------------|
| Rated thermal current I _{th} | 10 A |
| Utilization category according to EN 60947-5-1 | |
| AC-15 | 3A 240V |
| DC-13 | 0.27A 250V |
| Short circuit protection according to IEC 60269-1 | |
| (Fuse) | 6A gG |
| Rated insulation voltage U _i | 250 V |
| Rated impulse withstand voltage U _{imp} | 2,5 kV |
| Switching current | |
| at 24V | min.10 mA |
| Connection cross-section | 0,5 ... 1,5 mm ² |

Miscellaneous

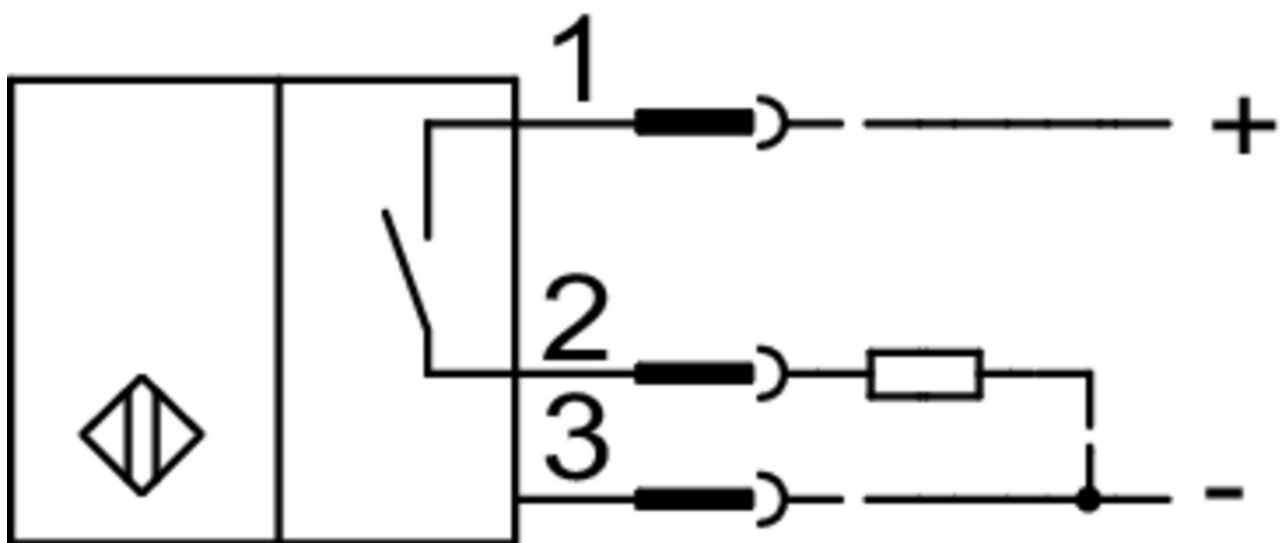
| | |
|--------------------|-------------------------|
| Additional feature | |
| | Emergency stop function |
| | Pre-failure monitoring |

Dimension drawing





Pre-failure monitoring



▼ Turnbuckle for rope pull switches

092500 RPS-B-6-110

▼ Features

- › Turnbuckle M6 x 100
-

092498 RPS-B-6-60/V5

▼ Features

- › Turnbuckle M6 x 60
-

▼ Tensioner spring for rope pull switches



092136 RPS-W-100/175

▼ Features

- › Tensioner spring for tensile force 110 N / 175 N
-

▼ Tensioning rope for rope pull switches



092813 RPS-I-3-4/50M

▼ Features

- › Tensioning rope with 50m length
-



092814 RPS-I-3-4/100M

▼ Features

- › Tensioning rope with 100m length
-

▼ Eyebolt for rope pull switches

092495 RPS-O-8-50/V5

▼ Features

- › Eyebolt with thread M8
-

▼ Rope set for rope pull switches

092496 RPS-RS/V5

▼ Features

- › Rope set consisting of thimble and rope clamp
-

▼ Pulley set RPS-PS/V5 for rope pull switches



092501 RPS-PS/V5

▼ Features

- › Pulley set consisting of rope pulley block and pulley support
-

▼ Pulley set RPS-P/V1 for rope pull switches

096251 RPS-P-7-70



- ▼ Features
 - › Pulley Ø 14mm

Function expansion

▼ Built-in LED



087423 EINBAULEUCHTE LED M20X1,5



095510 EINBAULEUCHTE LED-F M20X1,5

Connection material

▼ Cable glands M20x1.5



077683 EKVM20/06



077684 EKVM20/09



086233 EKPM20/06 086233

Instructions




▼ Betriebsanleitung Seilzugschalter RPS...

| | Doc. no. | Version | Language | Download |
|--|----------|----------|----------|----------|
| Betriebsanleitung Seilzugschalter RPS... | 2090276 | 08-01/18 | | 2.7 MB |
| Operating Instructions for Rope Pull Switches RPS... | 2090276 | 08-01/18 | | 2.7 MB |

Catalogs







▼ Not-Halt-Geräte/Seilzugschalter Emergency Stop Devices/Rope Pull Switches Dispositifs d'arrêt d'urgence/interrupteurs à câble Dispositivos de parada de emergencia / Interruptores de accionamiento por cable

| | Doc. no. | Version | Language | Download |
|---|----------|----------|----------|----------|
| Not-Halt-Geräte/Seilzugschalter | 106210 | 06-06/16 | | 1.9 MB |
| Dispositifs d'arrêt d'urgence/interrupteurs à câble | 116529 | 06-06/16 | | 1.9 MB |

| | | | | |
|---|--------|----------|---|--|
| Dispositivos de parada de emergencia / Interruptores de accionamiento por cable | 116530 | 06-06/16 |  |  1.9 MB |
| Emergency Stop Devices/Rope Pull Switches | 116448 | 06-06/16 |  |  1.9 MB |

Declaration of conformity

EU-Konformitätserklärung

| | Doc. no. | Version | Language | Download |
|-------------------------------|----------|----------|---|--|
| EU-Konformitätserklärung | 2091952 | 03-04/17 |  |  0.2 MB |
| Declaración UE de conformidad | | |  | |
| Déclaration UE de conformité | | |  | |
| Dichiarazione di conformità | | |  | |
| EU declaration of conformity | | |  | |