

ITEM 000148 0WKT13

| Description | Technical data | Accessories | Downloads |
|-------------|----------------|-------------|-----------|
|-------------|----------------|-------------|-----------|



Features

- › Front panel installation according to IEC 947-5-1 D30
- › Push button with actuating directions 1+3
- › One changeover contact with tab connector 2.8 x 0.5 IEC 760 for each actuating direction

Approvals



Mechanical values and environment

| | |
|----------|------------------------------------|
| Material | |
| | Housing thermoplastic/aluminum |
| | Switching lever stainless steel |
| | Bellows elastomer black [1] |

| | | |
|-------------------------------|-----|--------------------------------------|
| Weight | | |
| | Net | 0,17 kg |
| Ambient temperature | | -5 ... 65 °C |
| Degree of protection | | IP54 on the front without bellows |
| Mechanical life | | min.1 x 10 ⁶ |
| Contact material | | Silver alloy |
| Switching principle | | changeover contact C IEC 947-5-1 [2] |
| Mounting method | | IEC 947-5-1 D30 [3] |
| Number of monitoring contacts | | 2 [4] |
| Connection | | Tab connector 2.8x0.5 IEC760 |
| Actuating directions | | 2 [5] |

Electrical connection ratings

| | | |
|---|----------|-------------------------------|
| Utilization category according to EN 60947-5-1 | | |
| | AC-15 | 230V 4A |
| | DC-13 | 24V 2A |
| Short circuit protection according to IEC 60269-1 | | Slow-blow T6 / quick-blow F10 |
| Rated insulation voltage U _i | | 250 V |
| Rated impulse withstand voltage U _{imp} | | 2,5 kV |
| Switching voltage | | min.10 V |
| Switching current | | |
| | (at 24V) | min.12 mA |

[1] PAK arm

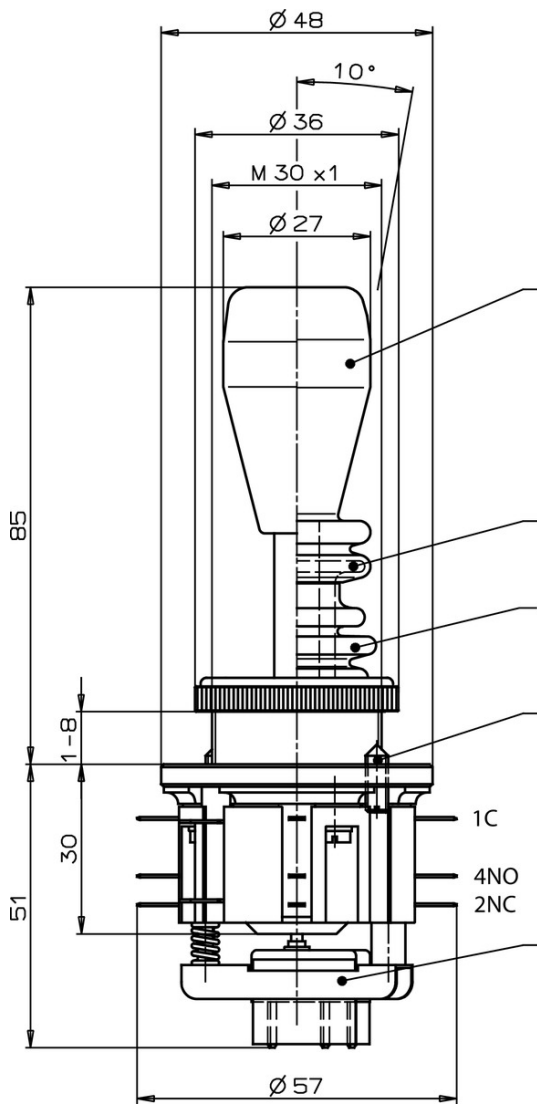
[2] Snap-action contact element, design ES584

[3] (Bore 30.5)

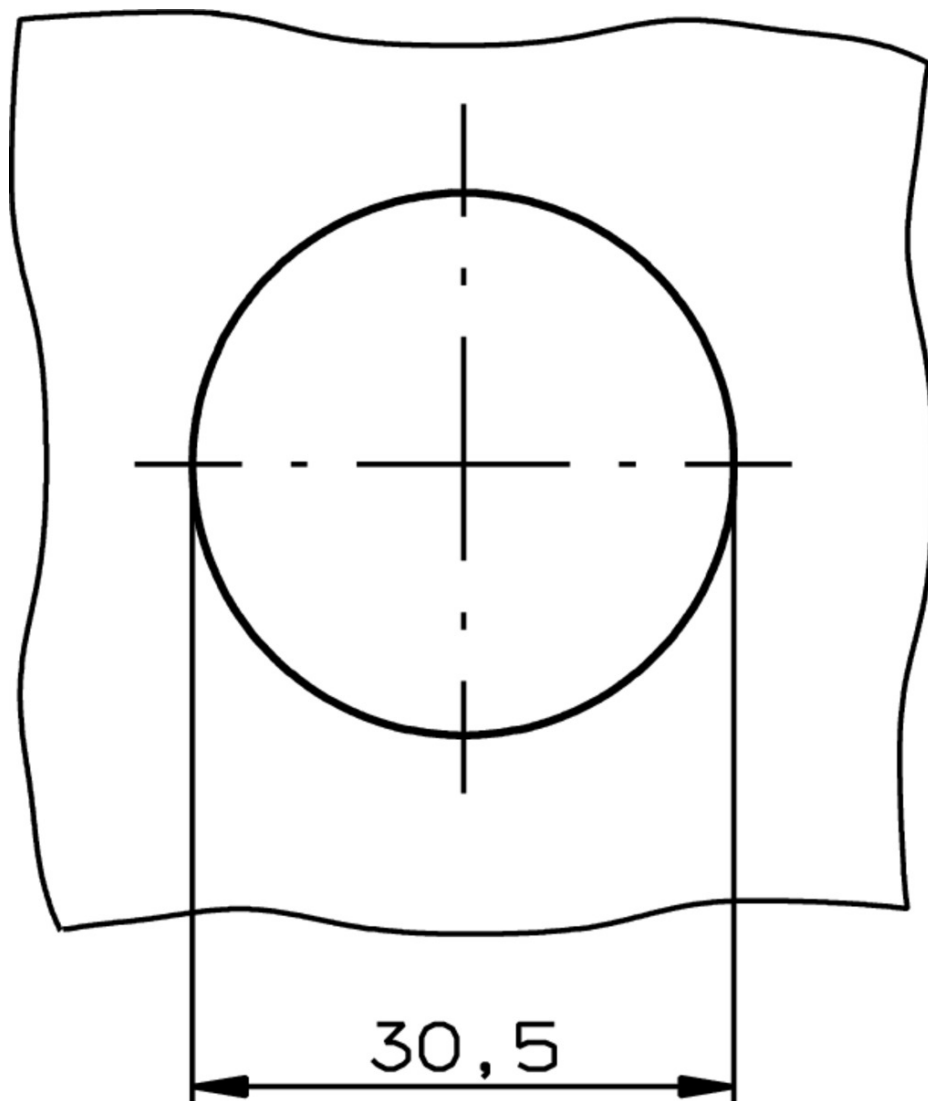
[4] 2 directions

[5] Button

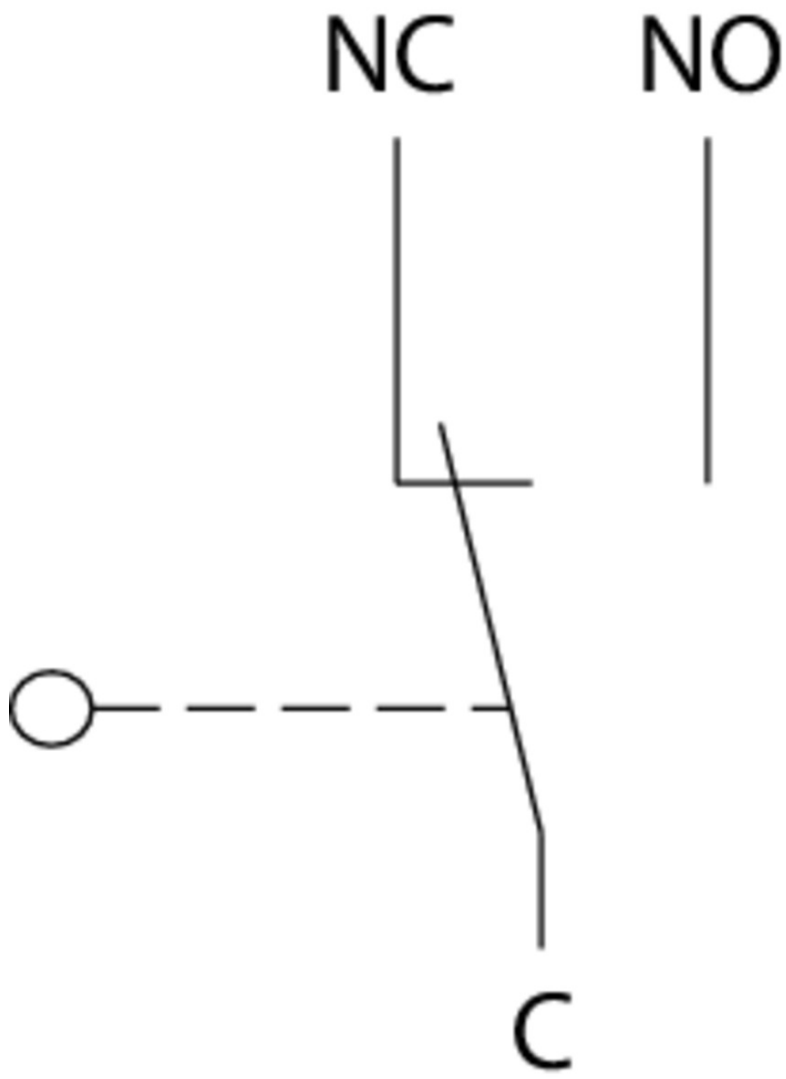
Dimension drawing



Dimension drawing



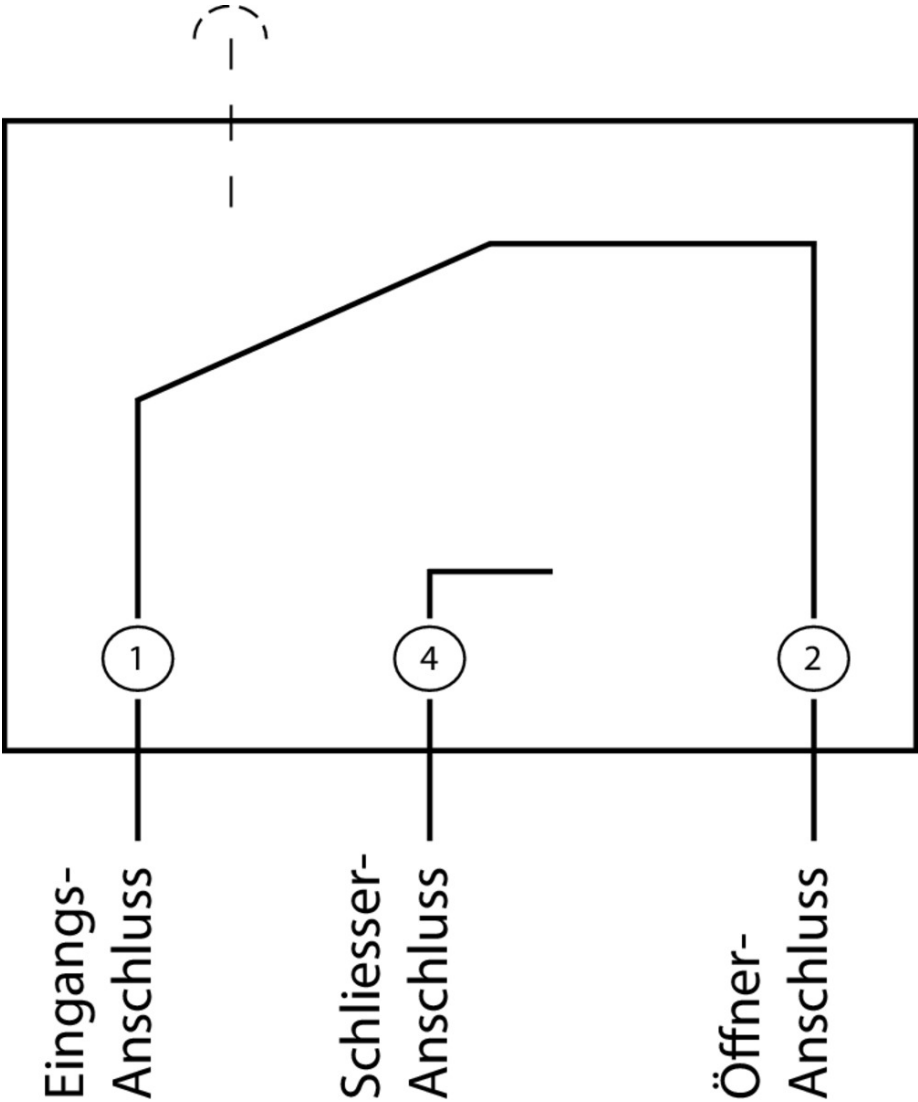
Wiring diagram



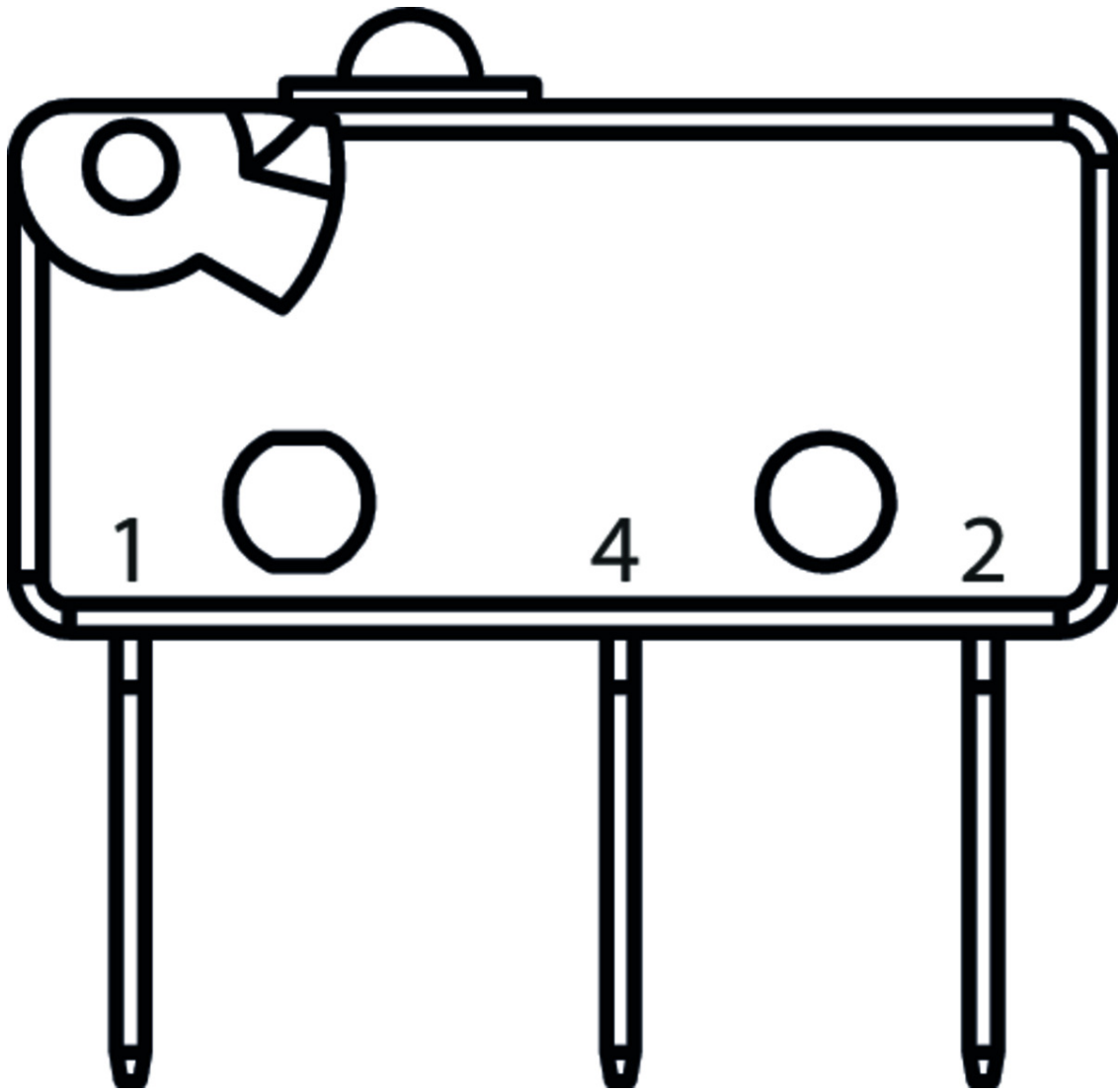
Pushbutton D



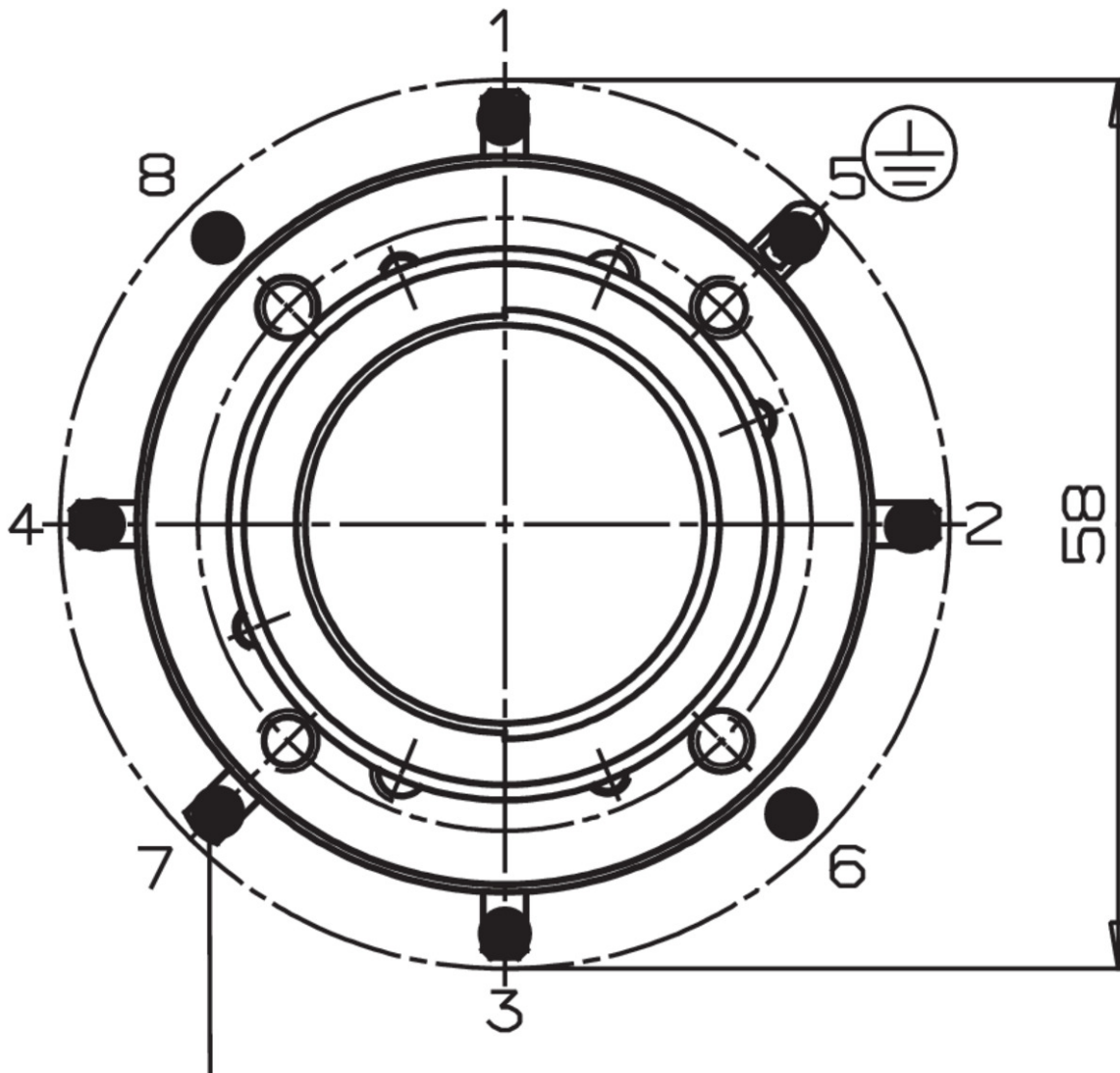
Switching function



Switching element



Switching functions



Catalogs







Einhebel-Befehlsgeräte Joystick Switches Manipulateurs Manipuladores

| | Doc. no. | Version | Language | Download |
|------------------------|----------|----------|----------|----------|
| Einhebel-Befehlsgeräte | 076614 | 13-06/16 | | 1.2 MB |
| Manipulateurs | 111527 | 13-06/16 | | 1.2 MB |
| Manipuladores | 111528 | 13-06/16 | | 1.2 MB |
| Joystick Switches | 076654 | 13-06/16 | | 1.2 MB |

Declaration of conformity

EU-Konformitätserklärung

| Doc. no. | Version | Language | Download |
|----------|---------|----------|----------|
|----------|---------|----------|----------|

| | | | | |
|-------------------------------|---------|----------|---|---|
| EU-Konformitätserklärung | 2108566 | 05-03/17 |  |  0.2 MB |
| Declaración UE de conformidad | | |  | |
| Déclaration UE de conformité | | |  | |
| Dichiarazione di conformità | | |  | |
| EU declaration of conformity | | |  | |

CAD data

CAD data for this item on TraceParts