

**ITEM 000237 WKT13D**

Description	Technical data	Accessories	Downloads
-------------	----------------	-------------	-----------



**Features**

- › Front panel installation according to IEC 947-5-1 D30
- › Push button with actuating directions 1+3
- › One changeover contact with tab connector 2.8 x 0.5 IEC 760 for each actuating direction
- › Pushbutton in handle

**Approvals**



**Mechanical values and environment**

Material	
	Housing thermoplastic/aluminum
	Switching lever stainless steel
	Bellows elastomer black <sup>[1]</sup>

Weight		
	Net	0,17 kg
Ambient temperature		-5 ... 65 °C
Degree of protection		IP54 on the front without bellows
Mechanical life		min.1 x 10 <sup>6</sup>
Contact material		Silver alloy
Switching principle		changeover contact C IEC 947-5-1 [2]
Mounting method		IEC 947-5-1 D30 [3]
Number of monitoring contacts		2 [4]
Connection		Tab connector 2.8x0.5 IEC760
Actuating directions		2 [5]
		<b>Pushbutton in handle</b>
Electrical life		0,5 x 10 <sup>6</sup>
Switching principle		1 contact
Actuating force		3 N
Mechanical life		0,5 x 10 <sup>6</sup>

### Electrical connection ratings

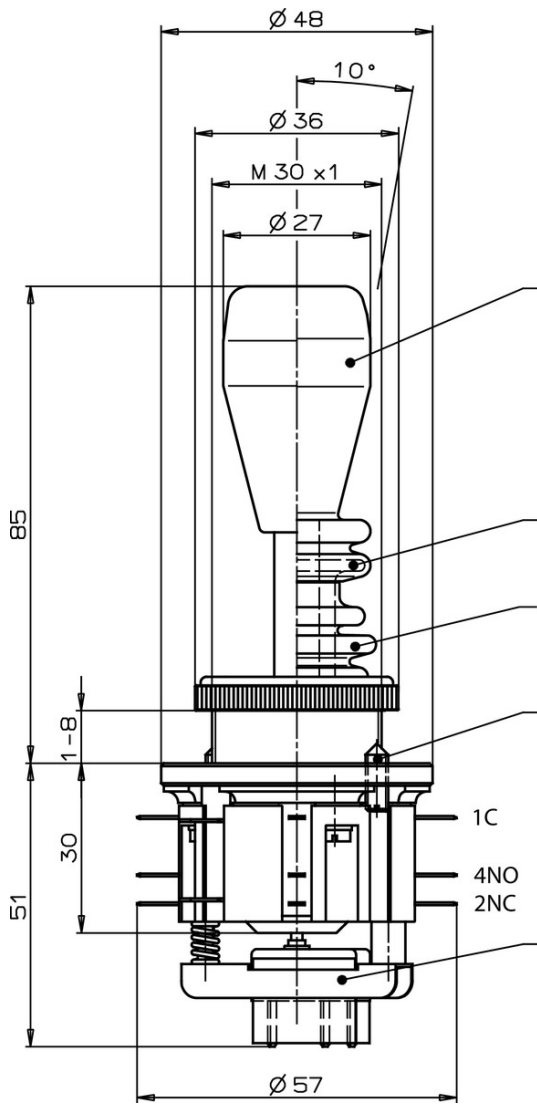
Utilization category according to EN 60947-5-1		
	AC-15	230V 4A
	DC-13	24V 2A
Short circuit protection according to IEC 60269-1		Slow-blow T6 / quick-blow F10
Rated insulation voltage U <sub>i</sub>		250 V
Rated impulse withstand voltage U <sub>imp</sub>		2,5 kV
Switching voltage		min.10 V
Switching current		
	(at 24V)	min.12 mA
		<b>Pushbutton in handle</b>
Test voltage		
	AC	1 kV
Switching voltage		
	DC	10 ... 50 V

### Miscellaneous

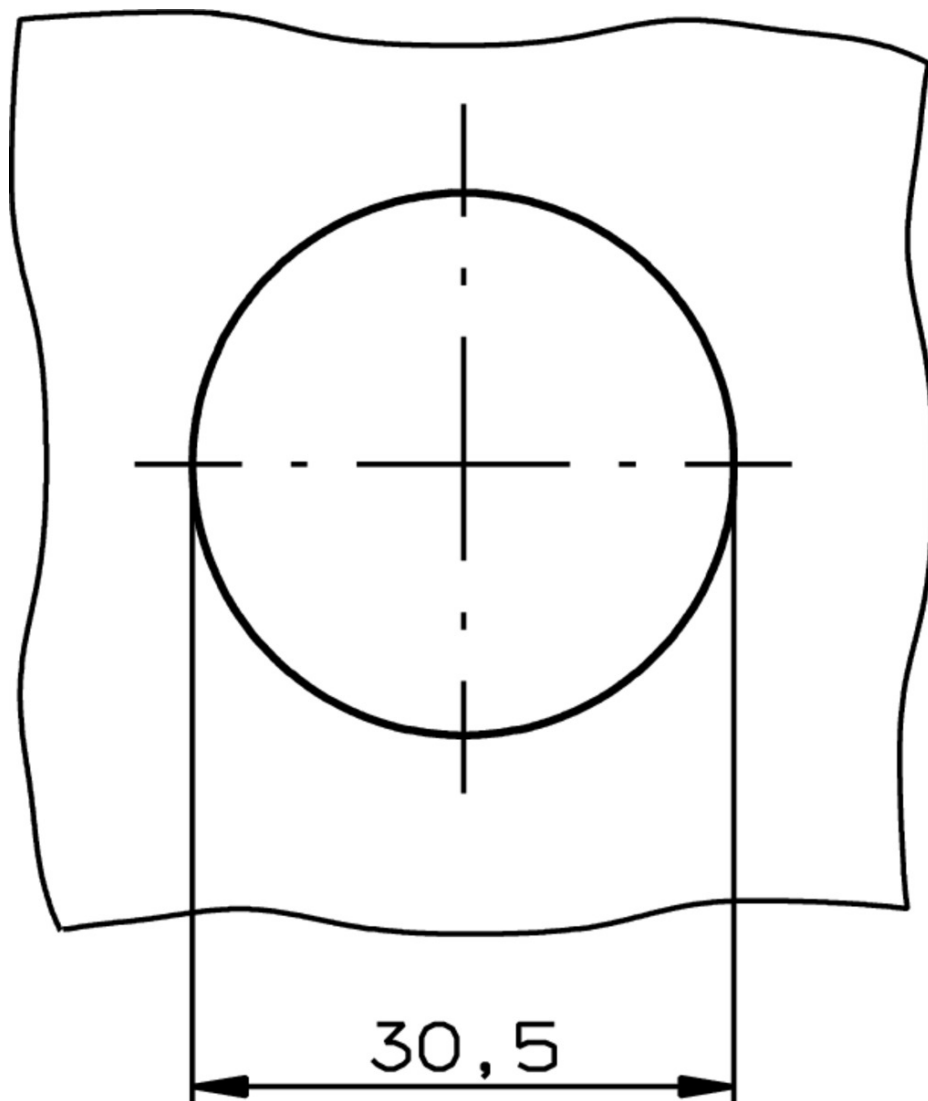
Additional feature		Pushbutton in handle
--------------------	--	----------------------

- [1] PAK arm
- [2] Snap-action contact element, design ES584
- [3] (Bore 30.5)
- [4] 2 directions
- [5] Button

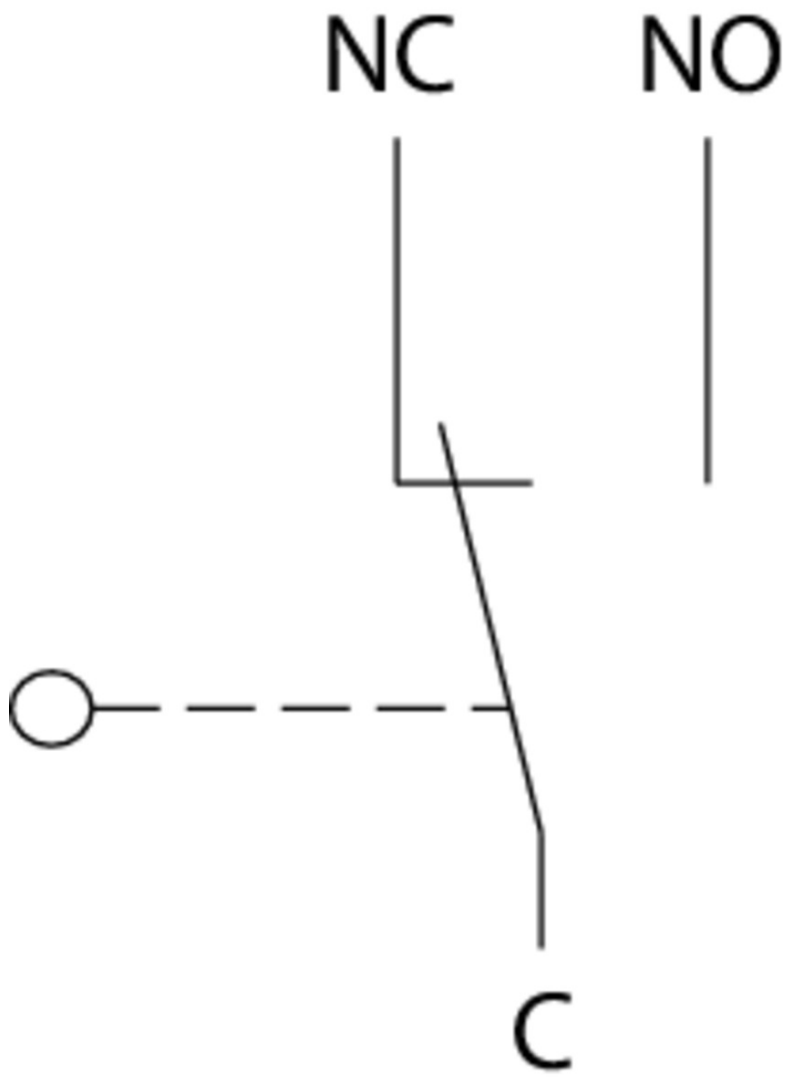
**Dimension drawing**



**Dimension drawing**



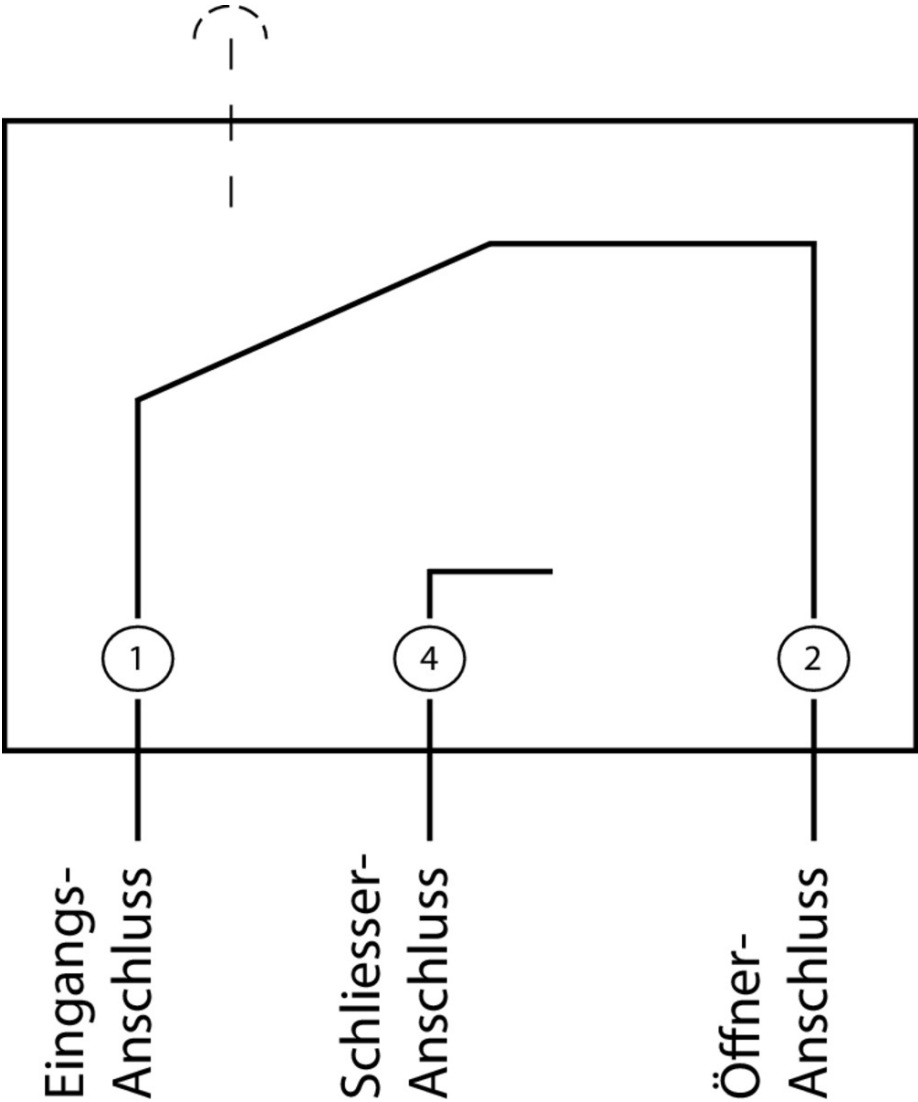
**Wiring diagram**



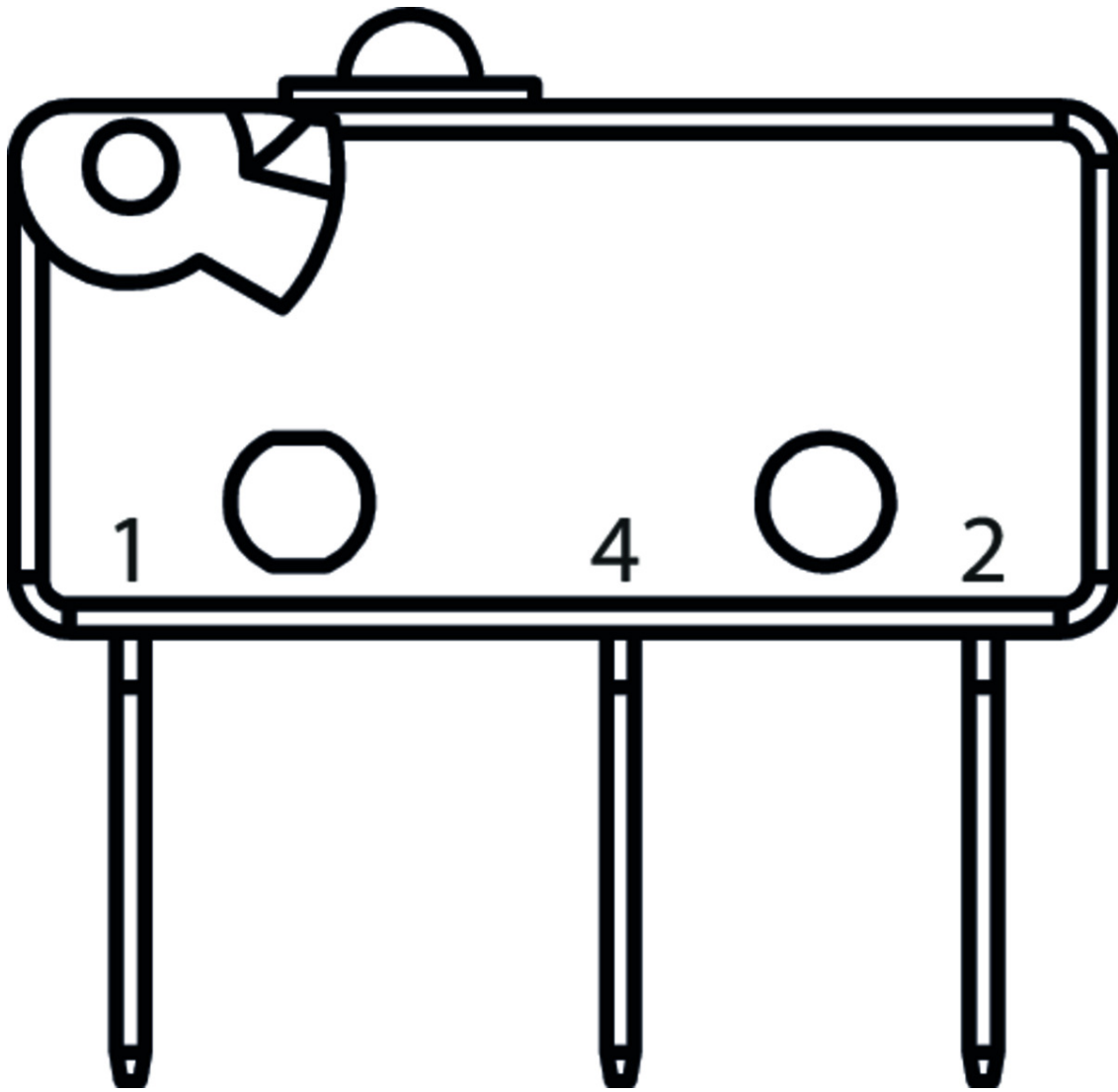
**Pushbutton D**



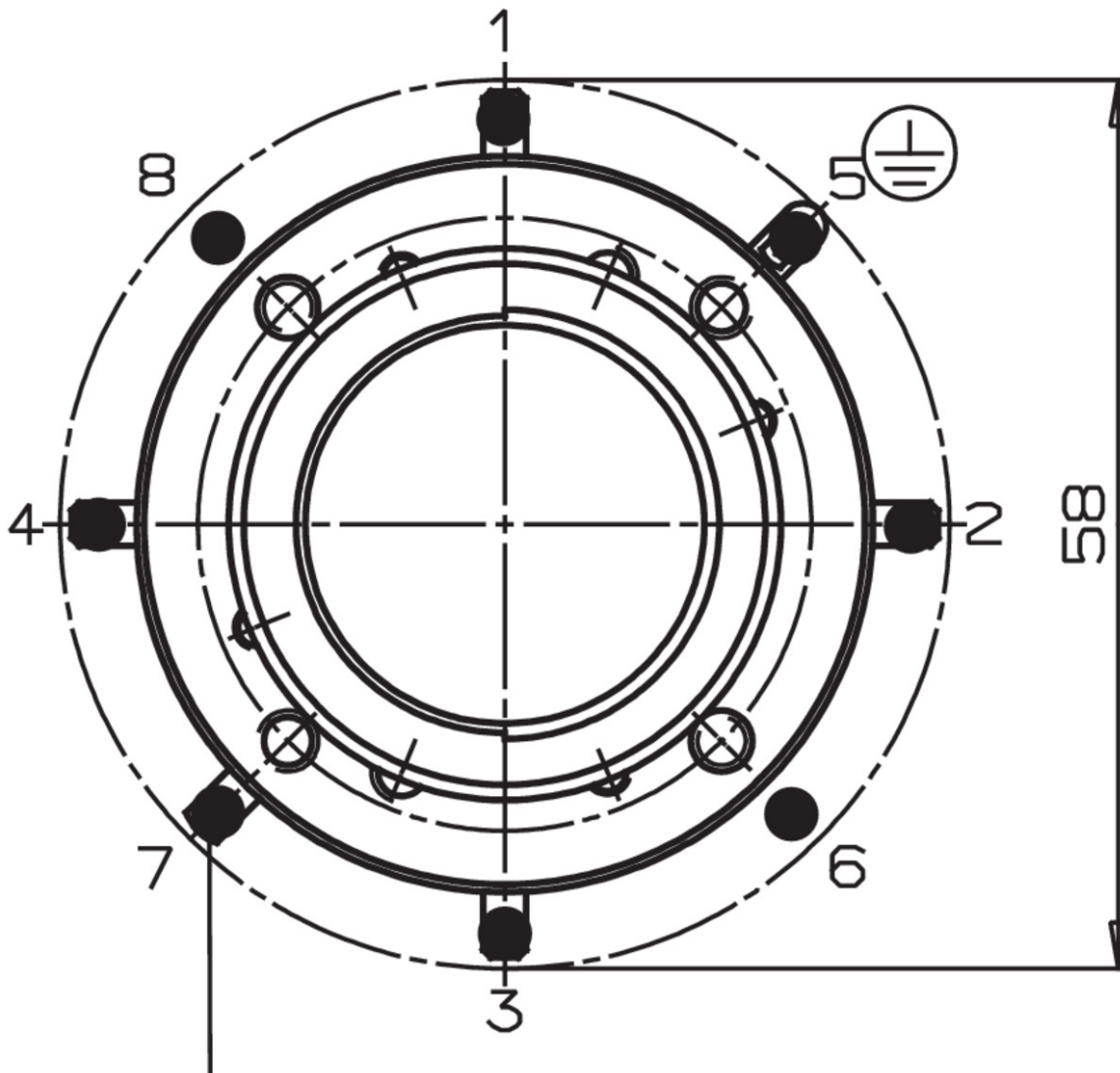
Switching function



Switching element



## Switching functions



## Catalogs

Einhebel-Befehlsgeräte Joystick Switches Manipulateurs Manipuladores

	Doc. no.	Version	Language	Download
Einhebel-Befehlsgeräte	076614	13-06/16		1.2 MB
Manipulateurs	111527	13-06/16		1.2 MB
Manipuladores	111528	13-06/16		1.2 MB
Joystick Switches	076654	13-06/16		1.2 MB

## Declaration of conformity

EU-Konformitätserklärung

Doc. no.	Version	Language	Download
----------	---------	----------	----------



EU-Konformitätserklärung	2108566	05-03/17		 0.2 MB
Declaración UE de conformidad				
Déclaration UE de conformité				
Dichiarazione di conformità				
EU declaration of conformity				