

ITEM 000248 WKS1234DVZ

Description	Technical data	Accessories	Downloads
-------------	----------------	-------------	-----------



Features

- › Front panel installation according to IEC 947-5-1 D30
- › Switch with actuating directions 1-4
- › One changeover contact with tab connector 2.8 x 0.5 IEC 760 for each actuating direction
- › Center position switch
- › Pushbutton in handle
- › Locking in central position

Approvals



Mechanical values and environment

Material	Housing thermoplastic/aluminum
----------	--------------------------------

	Switching lever stainless steel
	Bellows elastomer black ^[1]
Weight	
	Net 0,17 kg
Ambient temperature	-25 ... 65 °C
Degree of protection	IP54 on the front without bellows
Mechanical life	min.1 x 10 ⁶
Contact material	Silver alloy
Switching principle	changeover contact C IEC 947-5-1 ^[2]
Center-position switch	1 changeover contact ^[3]
Mounting method	IEC 947-5-1 D30 ^[4]
Number of monitoring contacts	4 + 1 ^[5]
Connection	Tab connector 2.8x0.5 IEC760
Actuating directions	4 ^[6]
	Pushbutton in handle
Electrical life	0,5 x 10 ⁶
Switching principle	1 contact
Actuating force	3 N
Mechanical life	0,5 x 10 ⁶

Electrical connection ratings

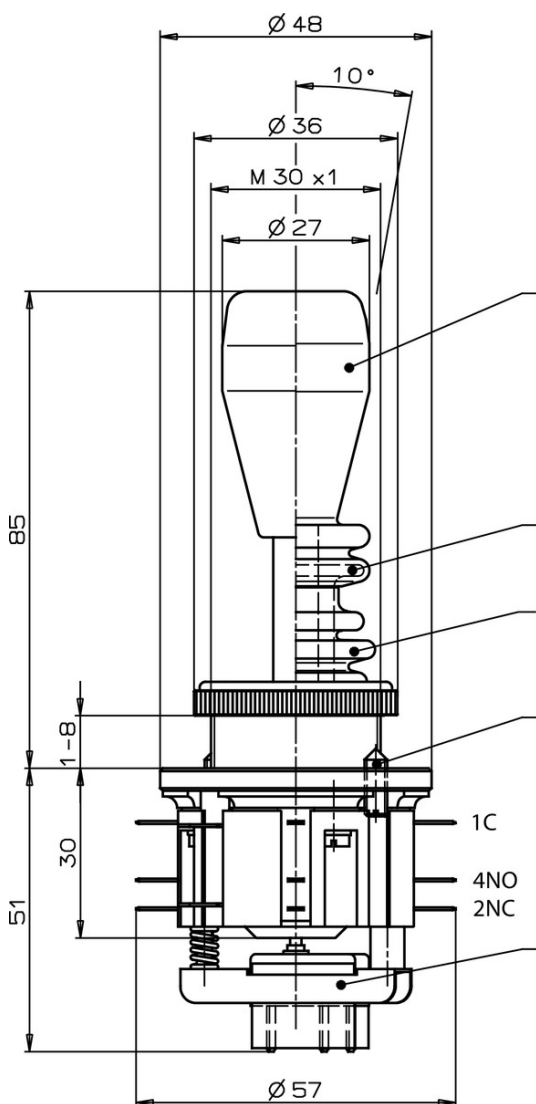
Utilization category according to EN 60947-5-1	
	AC-15 230V 4A
	DC-13 24V 2A
Short circuit protection according to IEC 60269-1	Slow-blow T6 / quick-blow F10
Rated insulation voltage U _i	250 V
Rated impulse withstand voltage U _{imp}	2,5 kV
Switching voltage	min.10 V
Switching current	
	(at 24V) min.12 mA
	Pushbutton in handle
Test voltage	
	AC 1 kV
Switching voltage	
	DC 10 ... 50 V

Miscellaneous

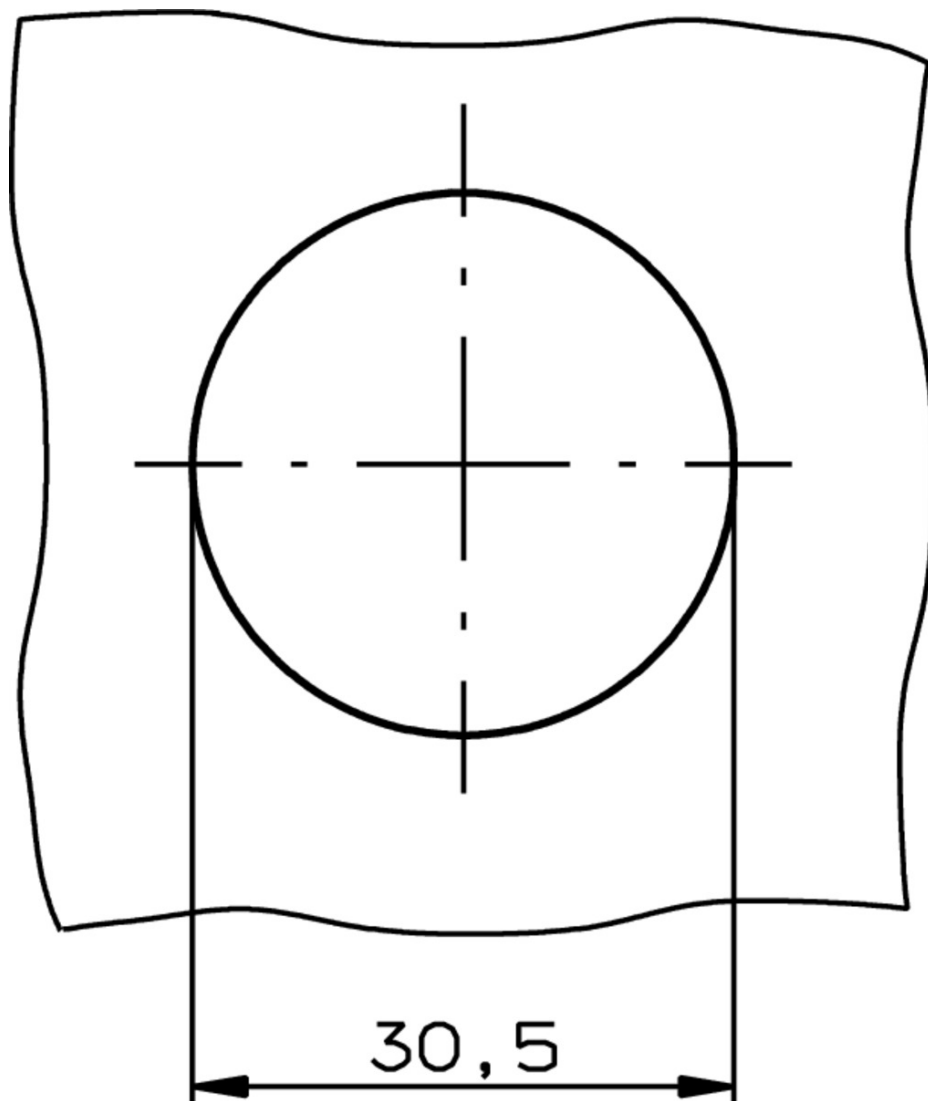
Additional feature	
	Pushbutton in handle

- [1] PAK arm
- [2] Snap-action contact element, design ES584
- [3] In neutral position (not actuated) NO contact closed, NC contact open
- [4] (Bore 30.5)
- [5] 4 directions and Z contact
- [6] Switch

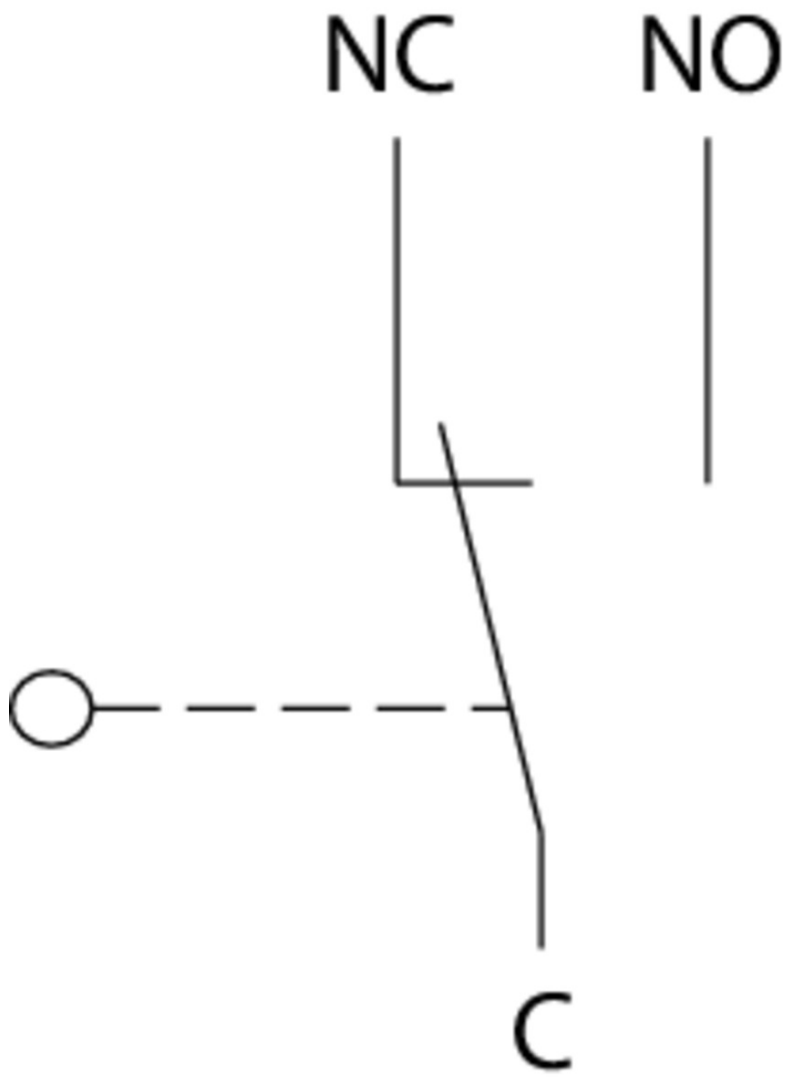
Dimension drawing



Dimension drawing



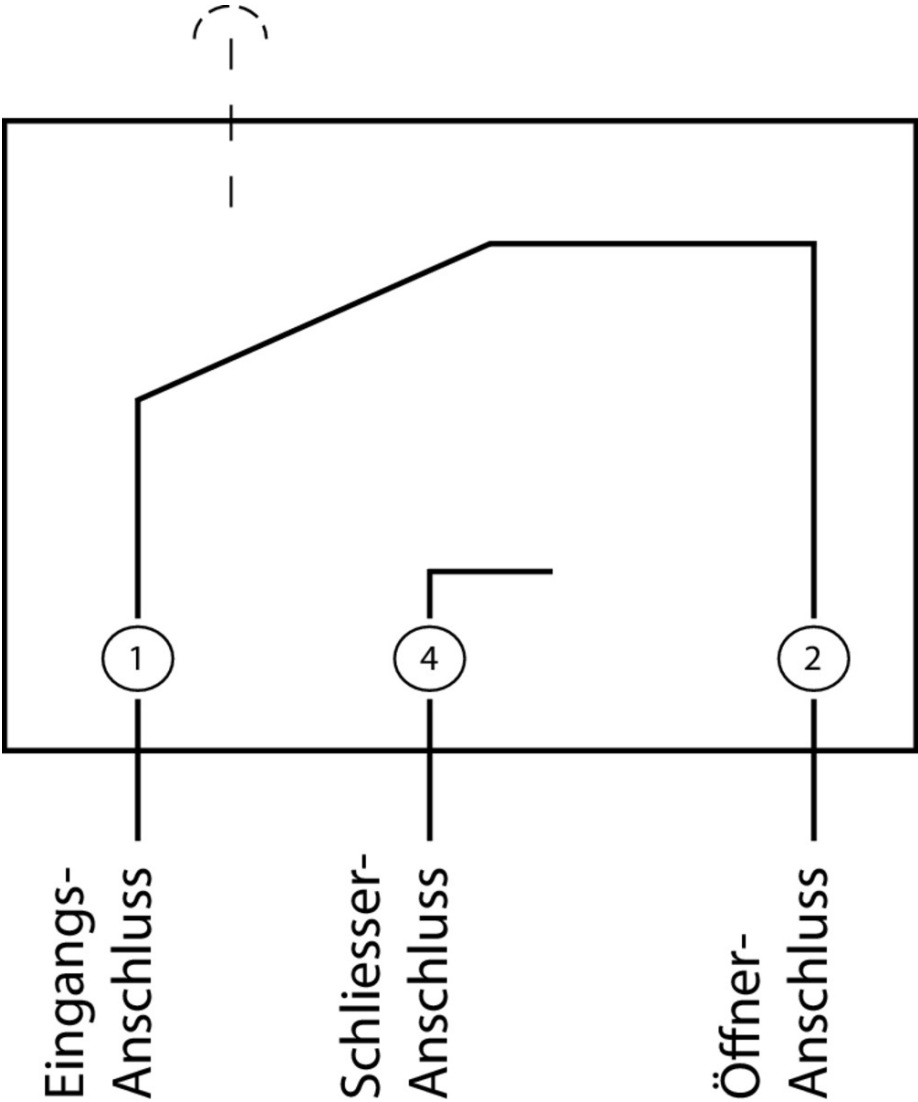
Wiring diagram



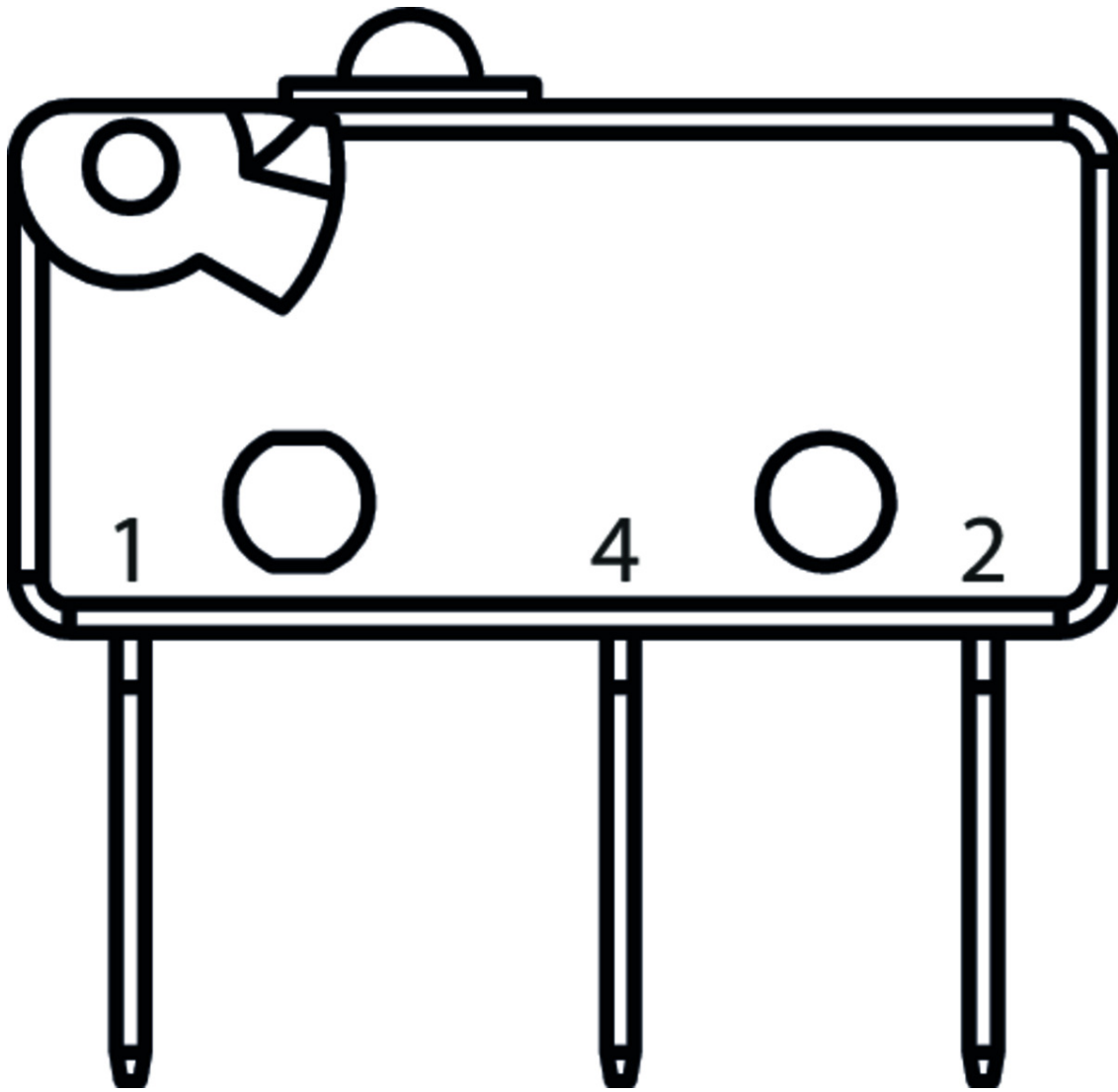
Pushbutton D



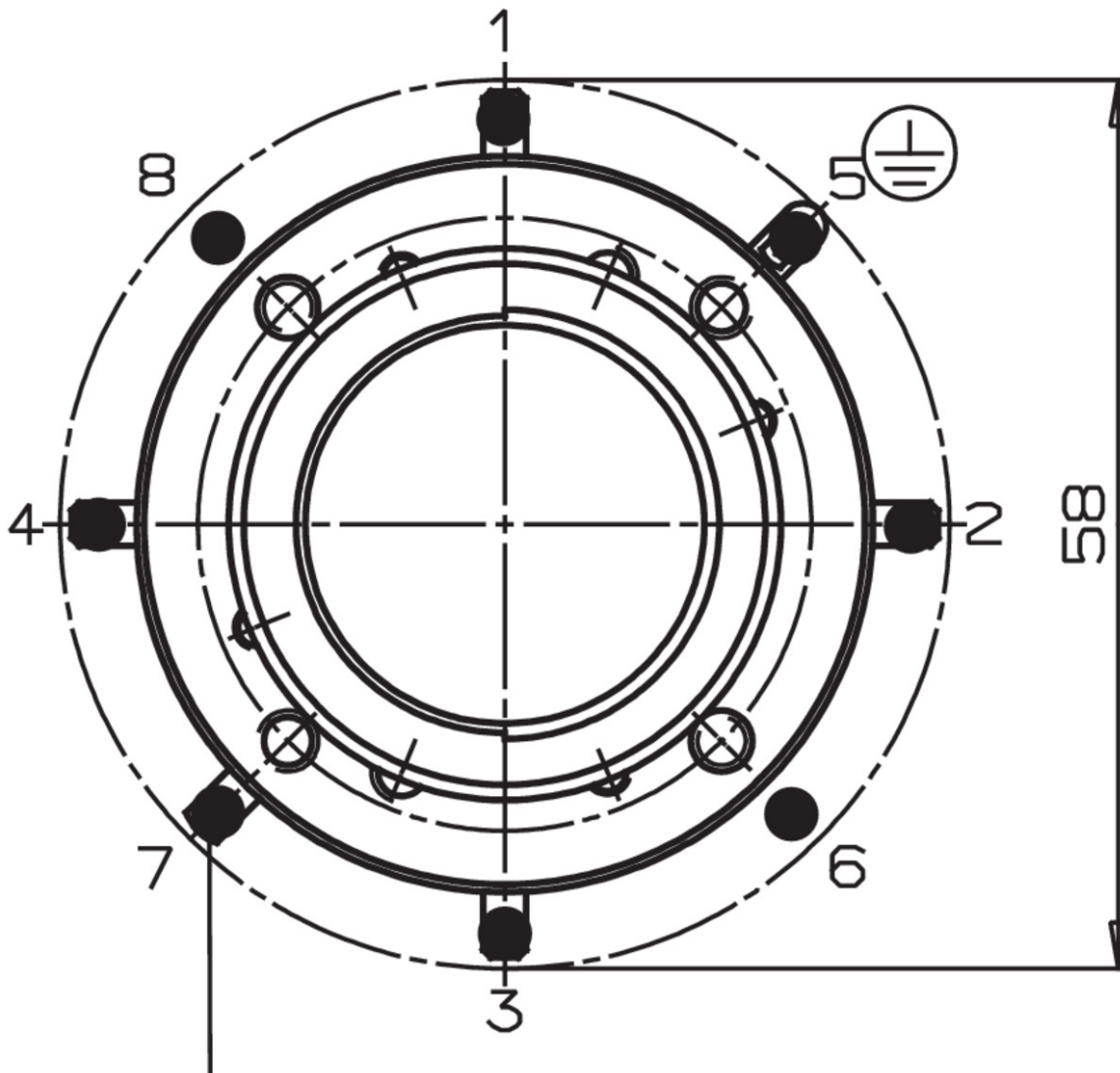
Switching function



Switching element



Switching functions



Catalogs







Einhebel-Befehlsgeräte Joystick Switches Manipulateurs Manipuladores

	Doc. no.	Version	Language	Download
Einhebel-Befehlsgeräte	076614	13-06/16		1.2 MB
Manipulateurs	111527	13-06/16		1.2 MB
Manipuladores	111528	13-06/16		1.2 MB
Joystick Switches	076654	13-06/16		1.2 MB

Declaration of conformity

EU-Konformitätserklärung

Doc. no.	Version	Language	Download
----------	---------	----------	----------

EU-Konformitätserklärung	2108566	05-03/17		 0.2 MB
Declaración UE de conformidad				
Déclaration UE de conformité				
Dichiarazione di conformità				
EU declaration of conformity				

CAD data

CAD data for this item on TraceParts