

**ITEM 020185 WKS1234DZ**

| Description | Technical data | Accessories | Downloads |
|-------------|----------------|-------------|-----------|
|-------------|----------------|-------------|-----------|



**Features**

- › Front panel installation according to IEC 947-5-1 D30
- › Switch with actuating directions 1-4
- › One changeover contact with tab connector 2.8 x 0.5 IEC 760 for each actuating direction
- › Center position switch
- › Pushbutton in handle

**Approvals**



**Mechanical values and environment**

|          |                                 |
|----------|---------------------------------|
| Material |                                 |
|          | Housing thermoplastic/aluminum  |
|          | Switching lever stainless steel |

|                               |     |   |
|-------------------------------|-----|---|
|                               |     | Bellows elastomer black <sup>[1]</sup>          |
| Weight                        |     |   |
|                               | Net | 0,17 kg   |
| Ambient temperature           |     | -25 ... 65 °C                                   |
| Degree of protection          |     | IP54 on the front without bellows               |
| Mechanical life               |     | min.1 x 10 <sup>6</sup>                         |
| Contact material              |     | Silver alloy                                    |
| Switching principle           |     | changeover contact C IEC 947-5-1 <sup>[2]</sup> |
| Center-position switch        |     | 1 changeover contact <sup>[3]</sup>             |
| Mounting method               |     | IEC 947-5-1 D30 <sup>[4]</sup>                  |
| Number of monitoring contacts |     | 4 + 1 <sup>[5]</sup>                            |
| Connection                    |     | Tab connector 2.8x0.5 IEC760                    |
| Actuating directions          |     | 4 <sup>[6]</sup>                                |
|                               |     | <b>Pushbutton in handle</b>                     |
| Electrical life               |     | 0,5 x 10 <sup>6</sup>                           |
| Switching principle           |     | 1 contact                                       |
| Actuating force               |     | 3 N   |
| Mechanical life               |     | 0,5 x 10 <sup>6</sup>                           |

### Electrical connection ratings

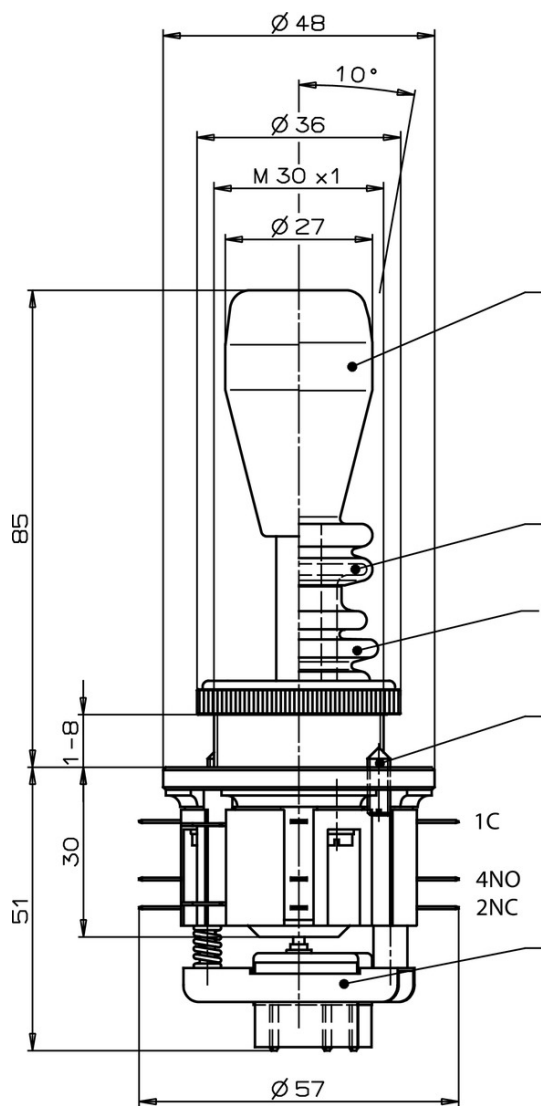
|   |          |                               |
|---|----------|-------------------------------|
| Utilization category according to EN 60947-5-1    |          |                               |
|   | AC-15    | 230V 4A                       |
|   | DC-13    | 24V 2A                        |
| Short circuit protection according to IEC 60269-1 |          | Slow-blow T6 / quick-blow F10 |
| Rated insulation voltage U <sub>i</sub>           |          | 250 V                         |
| Rated impulse withstand voltage U <sub>imp</sub>  |          | 2,5 kV                        |
| Switching voltage                                 |          | min.10 V                      |
| Switching current                                 |          |                               |
|   | (at 24V) | min.12 mA                     |
|   |          | <b>Pushbutton in handle</b>   |
| Test voltage                                      |          |                               |
|   | AC       | 1 kV                          |
| Switching voltage                                 |          |                               |
|   | DC       | 10 ... 50 V                   |

### Miscellaneous

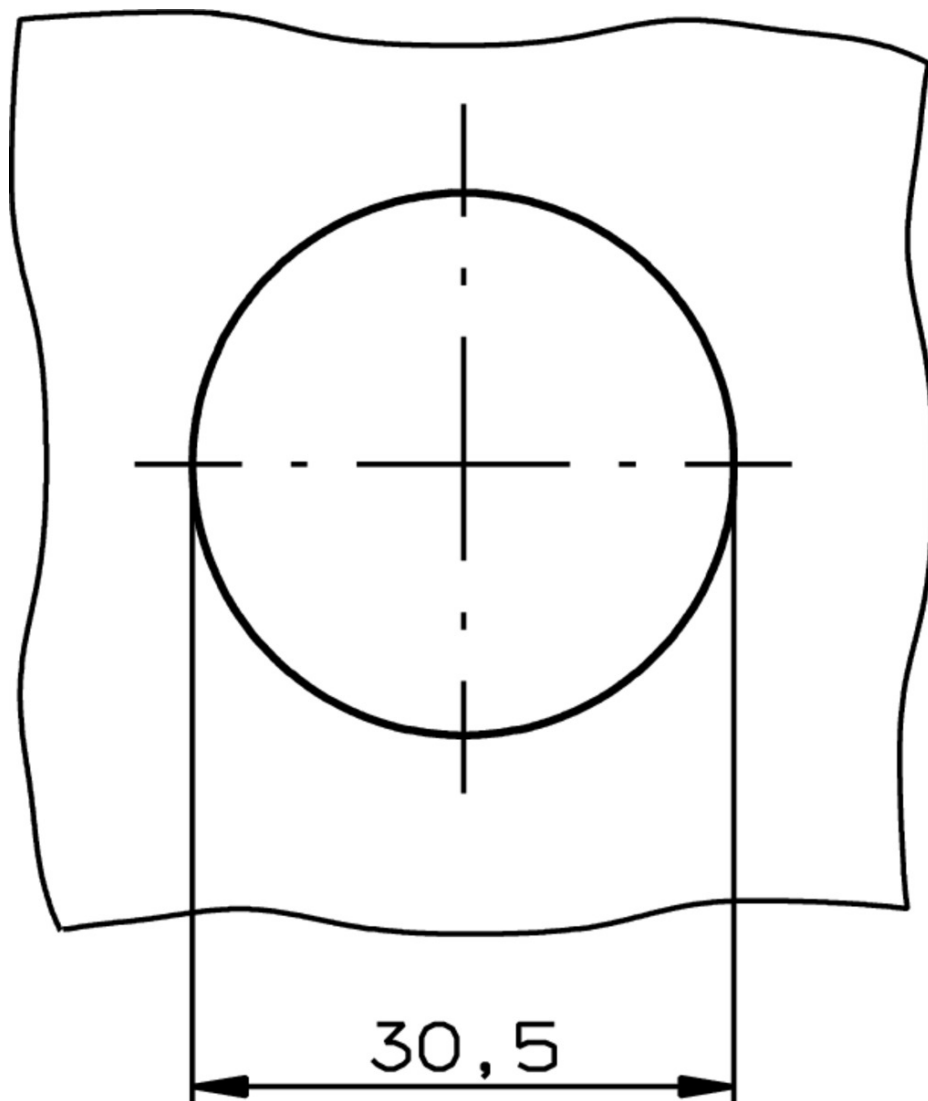
|                    |  |                      |
|--------------------|--|----------------------|
| Additional feature |  | Pushbutton in handle |
|--------------------|--|----------------------|

- [1] PAK arm
- [2] Snap-action contact element, design ES584
- [3] In neutral position (not actuated) NO contact closed, NC contact open
- [4] (Bore 30.5)
- [5] 4 directions and Z contact
- [6] Switch

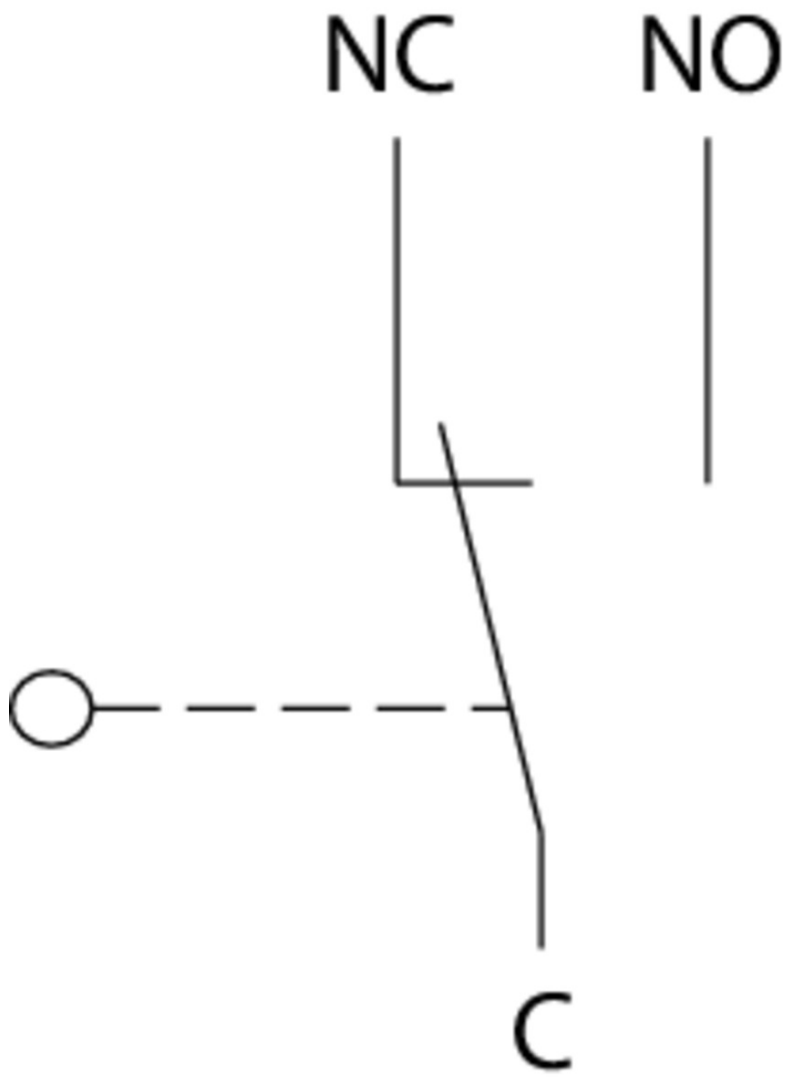
**Dimension drawing**



**Dimension drawing**



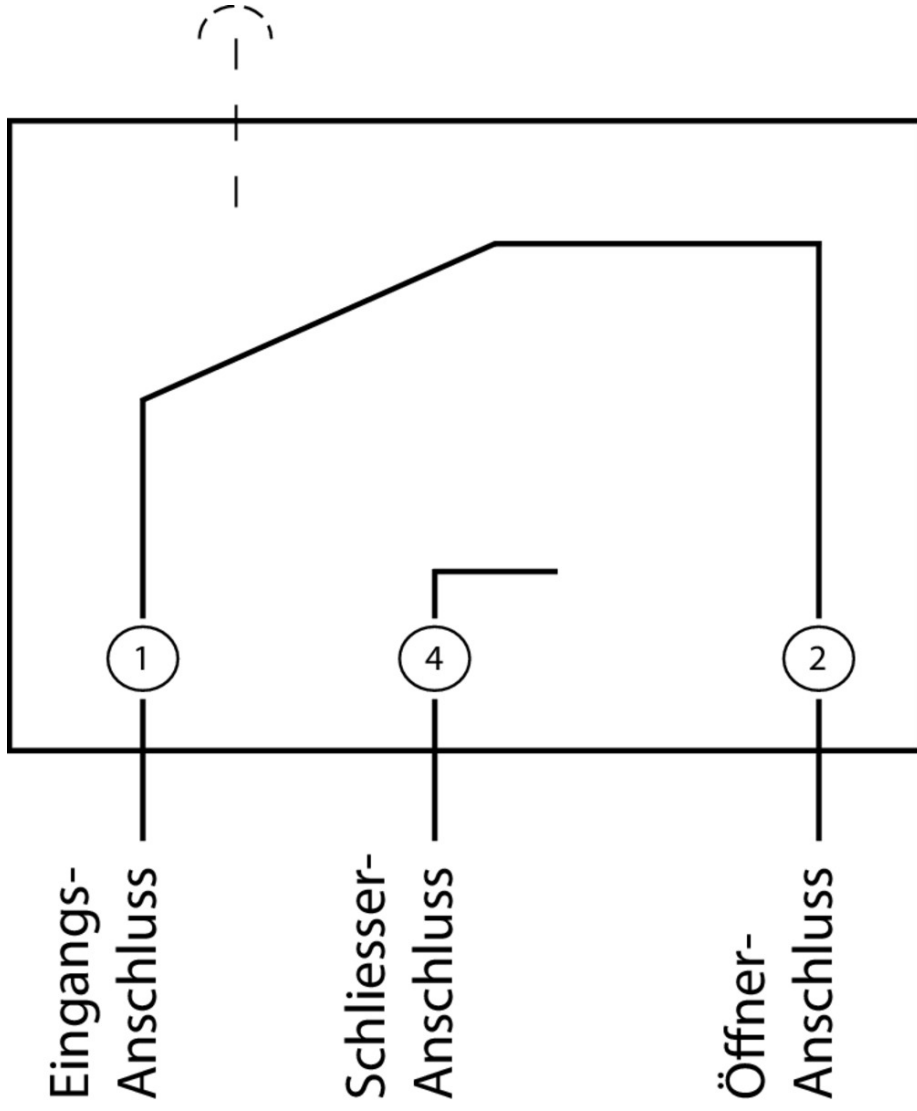
**Wiring diagram**



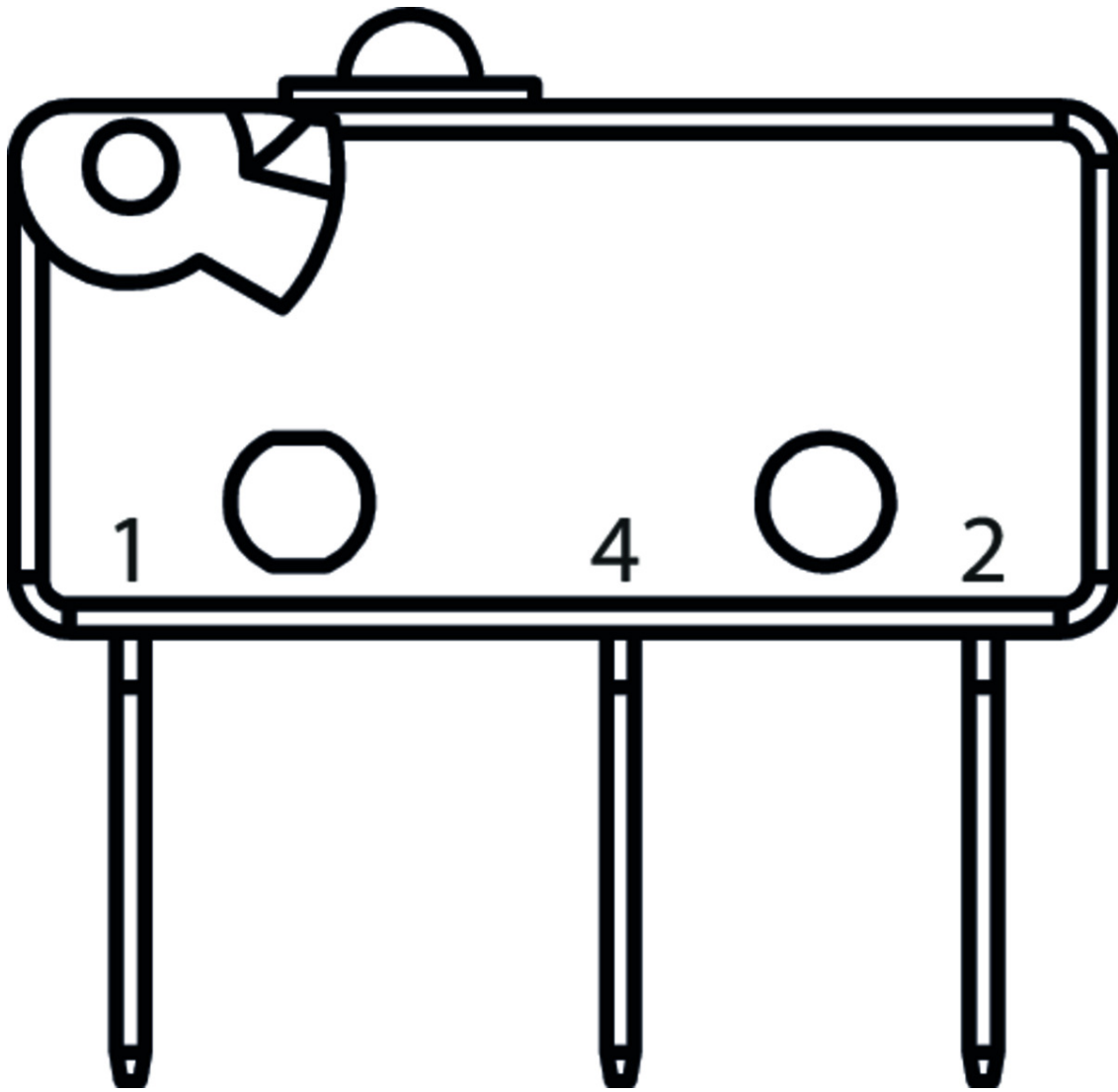
**Pushbutton D**



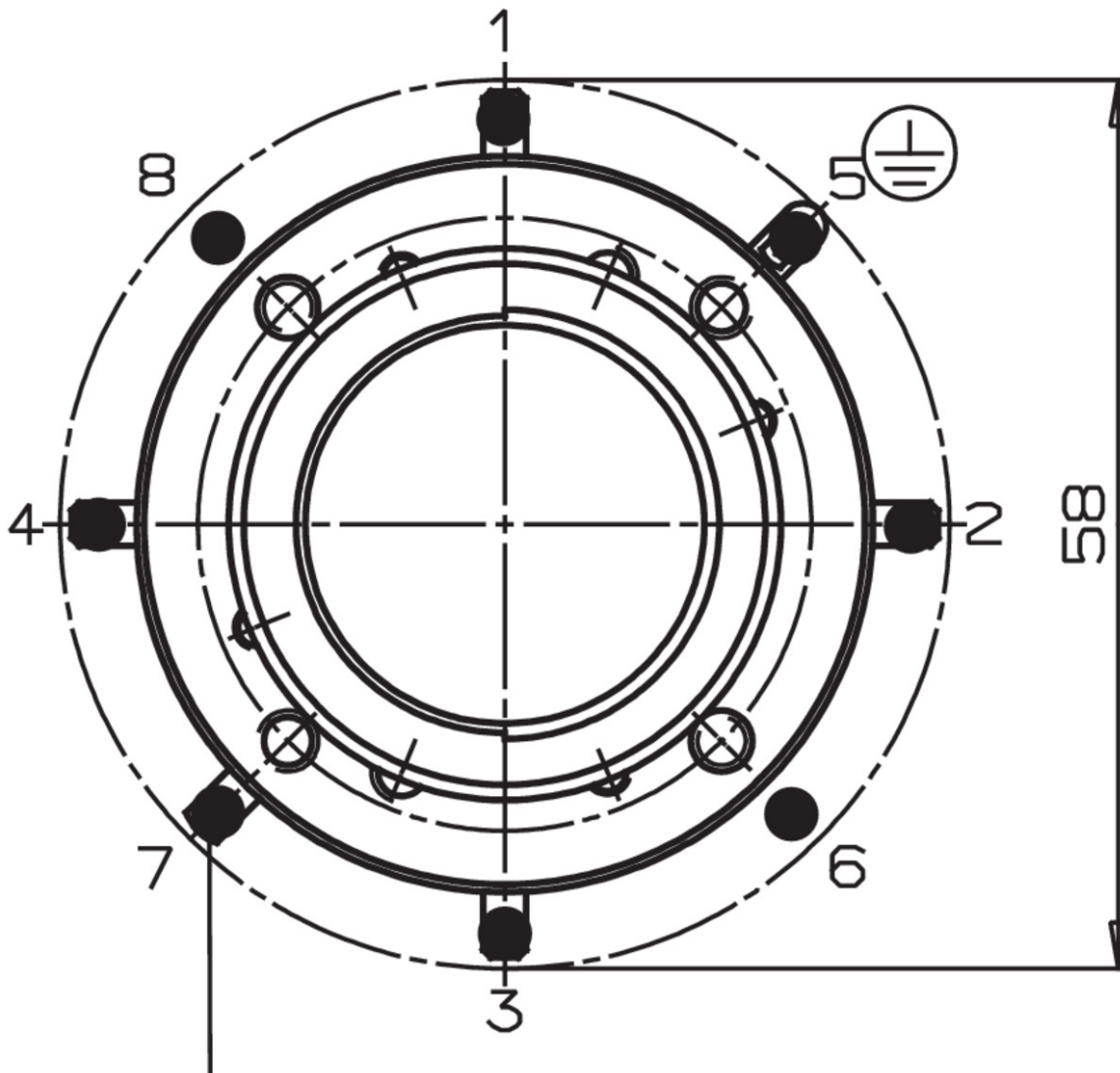
Switching function



Switching element



## Switching functions



## Catalogs

Einhebel-Befehlsgeräte Joystick Switches Manipulateurs Manipuladores

|                        | Doc. no. | Version  | Language | Download |
|------------------------|----------|----------|----------|----------|
| Einhebel-Befehlsgeräte | 076614   | 13-06/16 |          | 1.2 MB   |
| Manipulateurs          | 111527   | 13-06/16 |          | 1.2 MB   |
| Manipuladores          | 111528   | 13-06/16 |          | 1.2 MB   |
| Joystick Switches      | 076654   | 13-06/16 |          | 1.2 MB   |

## Declaration of conformity

EU-Konformitätserklärung

| Doc. no. | Version | Language | Download |
|----------|---------|----------|----------|
|----------|---------|----------|----------|



|                               |         |          |   |   |
|-------------------------------|---------|----------|---|---|
| EU-Konformitätserklärung      | 2108566 | 05-03/17 |   |  0.2 MB |
| Declaración UE de conformidad |         |          |  |   |
| Déclaration UE de conformité  |         |          |  |   |
| Dichiarazione di conformità   |         |          |  |   |
| EU declaration of conformity  |         |          |  |   |