

ITEM 033933 WKT13DW

Description	Technical data	Accessories	Downloads
-------------	----------------	-------------	-----------



Features

- › Front panel installation according to IEC 947-5-1 D30
- › Push button with actuating directions 1+3
- › One changeover contact with tab connector 2.8 x 0.5 IEC 760 for each actuating direction
- › Bellows
- › Pushbutton in handle

Approvals



Mechanical values and environment

Material	
	Housing thermoplastic/aluminum
	Switching lever stainless steel

		Bellows elastomer black ^[1]
Weight		
	Net	0,17 kg
Ambient temperature		-5 ... 65 °C
Degree of protection		IP65 on the front with bellows
Mechanical life		min.1 x 10 ⁶
Contact material		Silver alloy
Switching principle		changeover contact C IEC 947-5-1 ^[2]
Mounting method		IEC 947-5-1 D30 ^[3]
Number of monitoring contacts		2 ^[4]
Connection		Tab connector 2.8x0.5 IEC760
Actuating directions		2 ^[5]
		Pushbutton in handle
Electrical life		0,5 x 10 ⁶
Switching principle		1 contact
Actuating force		3 N
Mechanical life		0,5 x 10 ⁶

Electrical connection ratings

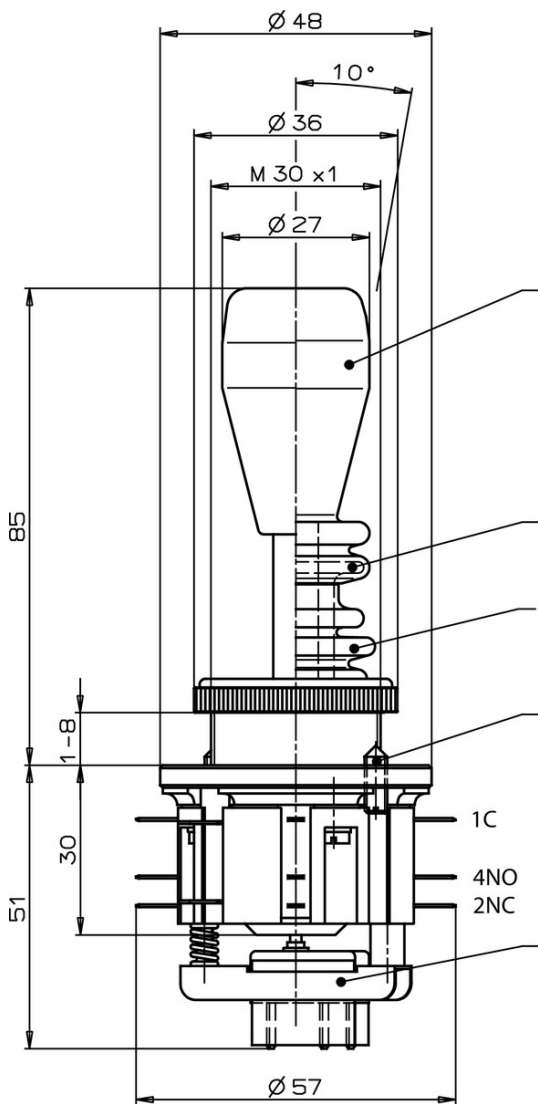
Utilization category according to EN 60947-5-1		
	AC-15	230V 4A
	DC-13	24V 2A
Short circuit protection according to IEC 60269-1		Slow-blow T6 / quick-blow F10
Rated insulation voltage U _i		250 V
Rated impulse withstand voltage U _{imp}		2,5 kV
Switching voltage		min.10 V
Switching current		
	(at 24V)	min.12 mA
		Pushbutton in handle
Test voltage		
	AC	1 kV
Switching voltage		
	DC	10 ... 50 V

Miscellaneous

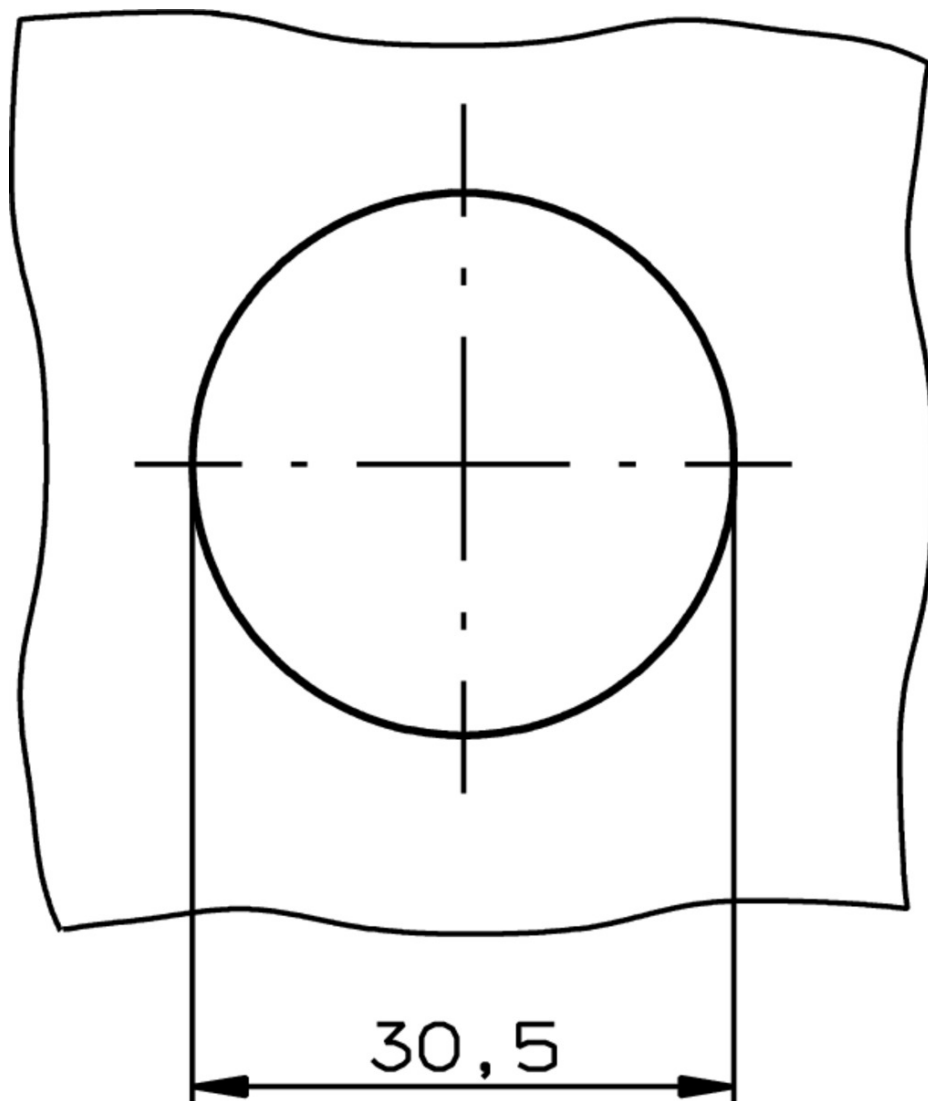
Additional feature		
		Pushbutton in handle
		Bellows

- [1] PAK arm
- [2] Snap-action contact element, design ES584
- [3] (Bore 30.5)
- [4] 2 directions
- [5] Button

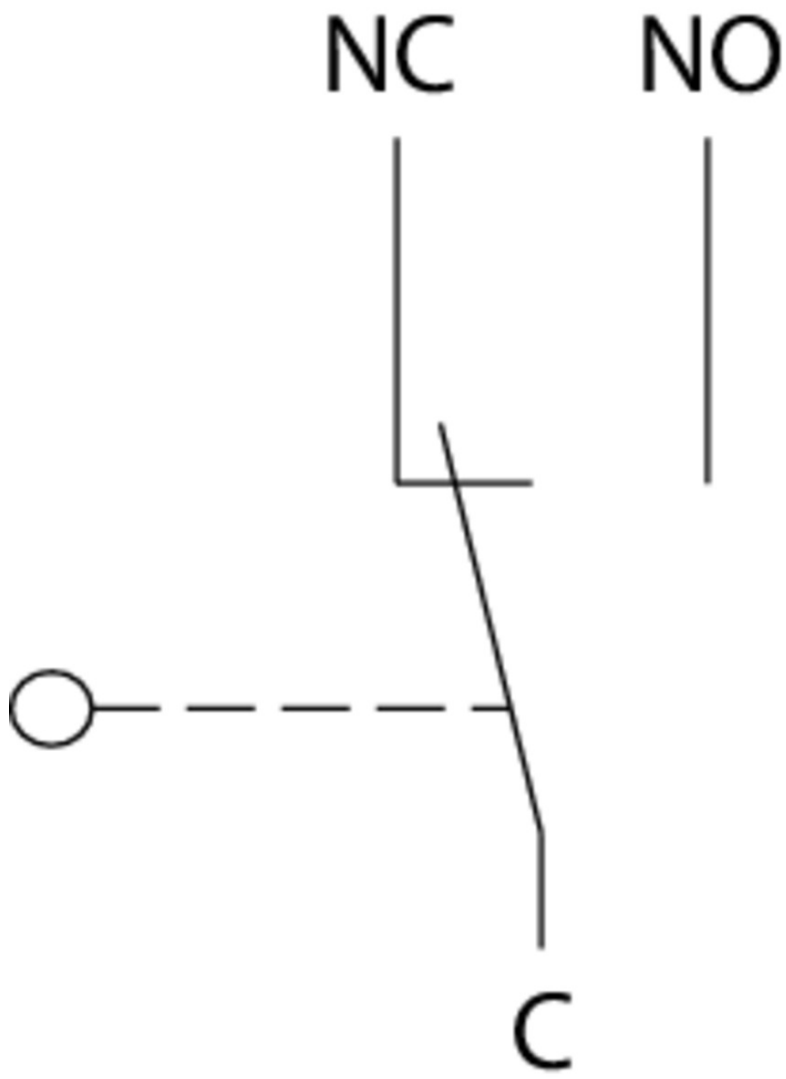
Dimension drawing



Dimension drawing



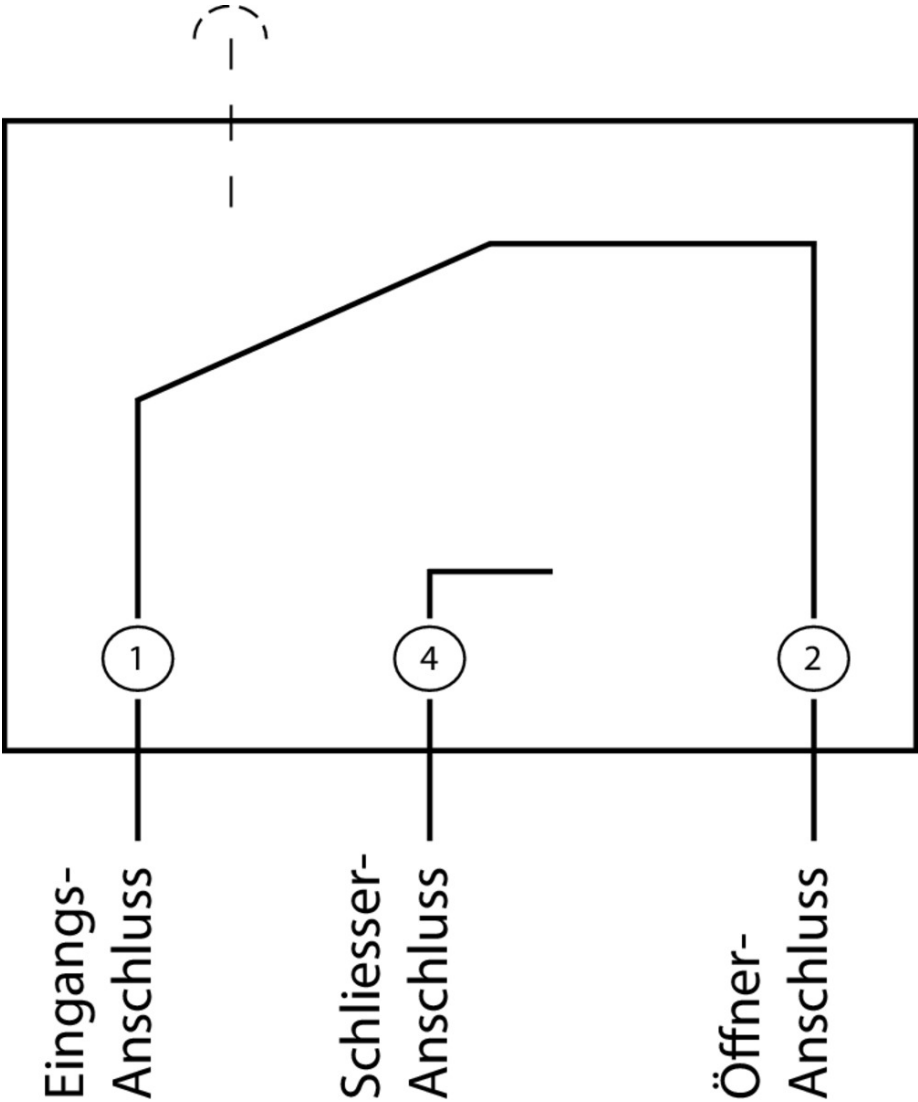
Wiring diagram



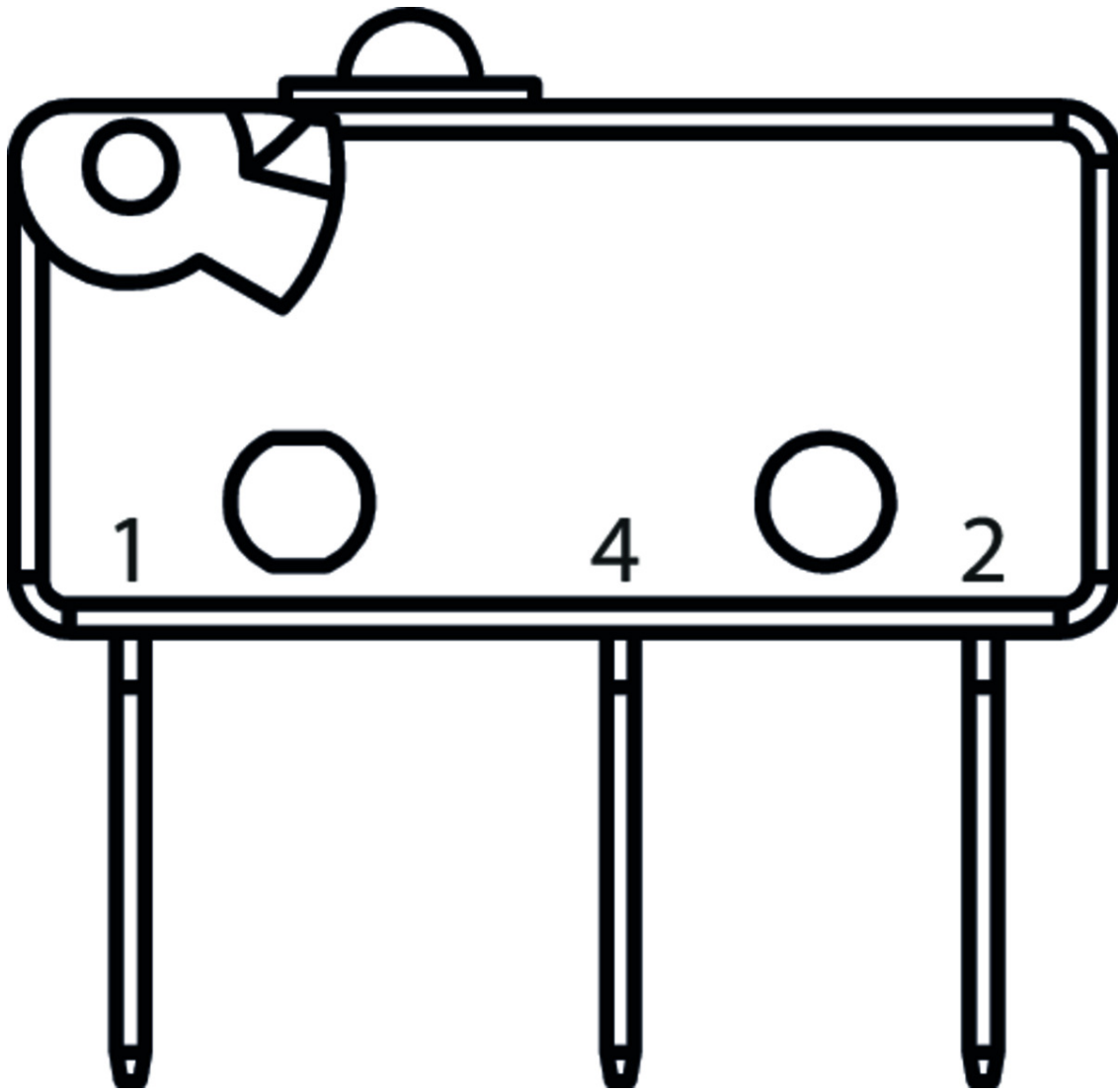
Pushbutton D



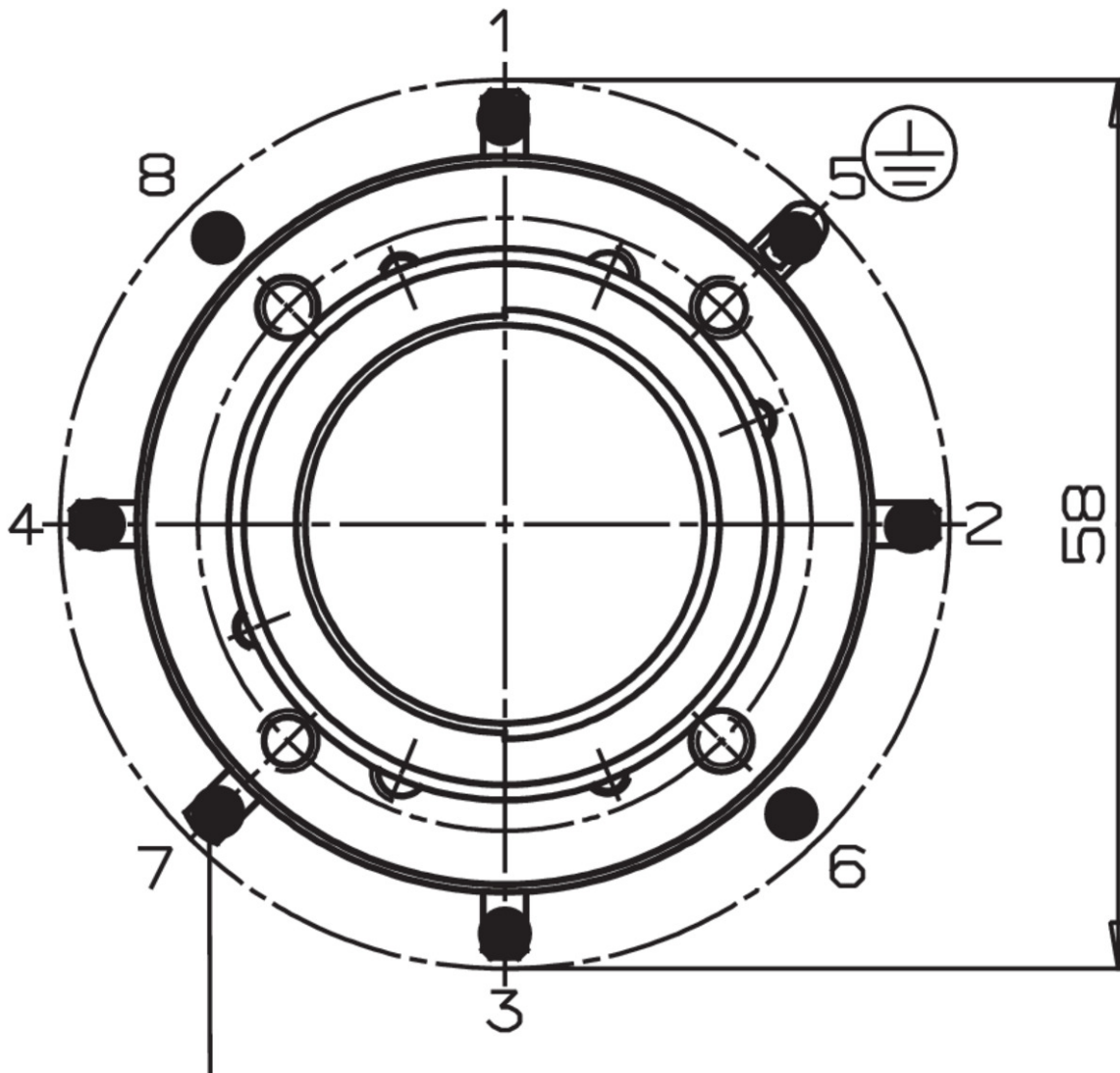
Switching function



Switching element











Switching functions



Catalogs







Einhebel-Befehlsgeräte Joystick Switches Manipulateurs Manipuladores

	Doc. no.	Version	Language	Download
Einhebel-Befehlsgeräte	076614	13-06/16		 1.2 MB
Manipulateurs	111527	13-06/16		 1.2 MB
Manipuladores	111528	13-06/16		 1.2 MB
Joystick Switches	076654	13-06/16		 1.2 MB

Declaration of conformity

EU-Konformitätserklärung

Doc. no.	Version	Language	Download
----------	---------	----------	----------

EU-Konformitätserklärung	2108566	05-03/17		 0.2 MB
Declaración UE de conformidad				
Déclaration UE de conformité				
Dichiarazione di conformità				
EU declaration of conformity				

CAD data

CAD data for this item on TraceParts