

ITEM 048416 WKS1T234DWZ

| Description | Technical data | Accessories | Downloads |
|-------------|----------------|-------------|-----------|
|-------------|----------------|-------------|-----------|



Features

- › Front panel installation according to IEC 947-5-1 D30
- › Switch with actuating direction 1 and push button with actuating directions 2,3,4
- › One changeover contact with tab connector 2.8 x 0.5 IEC 760 for each actuating direction
- › Center position switch
- › Pushbutton in handle
- › Bellows

Approvals



Mechanical values and environment

Material

| | | |
|-------------------------------|-----|---|
| | | Housing thermoplastic/aluminum |
| | | Switching lever stainless steel |
| | | Bellows elastomer black [1] |
| Weight | Net | 0,17 kg |
| Ambient temperature | | -5 ... 65 °C [2] |
| Degree of protection | | IP65 on the front with bellows |
| Mechanical life | | min.1 x 10 ⁶ |
| Contact material | | Silver alloy |
| Switching principle | | changeover contact C IEC 947-5-1 [3] |
| Center-position switch | | 1 changeover contact [4] |
| Mounting method | | IEC 947-5-1 D30 [5] |
| Number of monitoring contacts | | 4 + 1 [6] |
| Connection | | Tab connector 2.8x0.5 IEC760 |
| Actuating directions | | 4 [7] |
| | | Pushbutton in handle |
| Electrical life | | 0,5 x 10 ⁶ |
| Switching principle | | 1 contact |
| Actuating force | | 3 N |
| Mechanical life | | 0,5 x 10 ⁶ |

Electrical connection ratings

| | | |
|---|----------|-------------------------------|
| Utilization category according to EN 60947-5-1 | | |
| | AC-15 | 230V 4A |
| | DC-13 | 24V 2A |
| Short circuit protection according to IEC 60269-1 | | Slow-blow T6 / quick-blow F10 |
| Rated insulation voltage U _i | | 250 V |
| Rated impulse withstand voltage U _{imp} | | 2,5 kV |
| Switching voltage | | min.10 V |
| Switching current | (at 24V) | min.12 mA |
| | | Pushbutton in handle |
| Test voltage | AC | 1 kV |
| Switching voltage | DC | 10 ... 50 V |

Miscellaneous

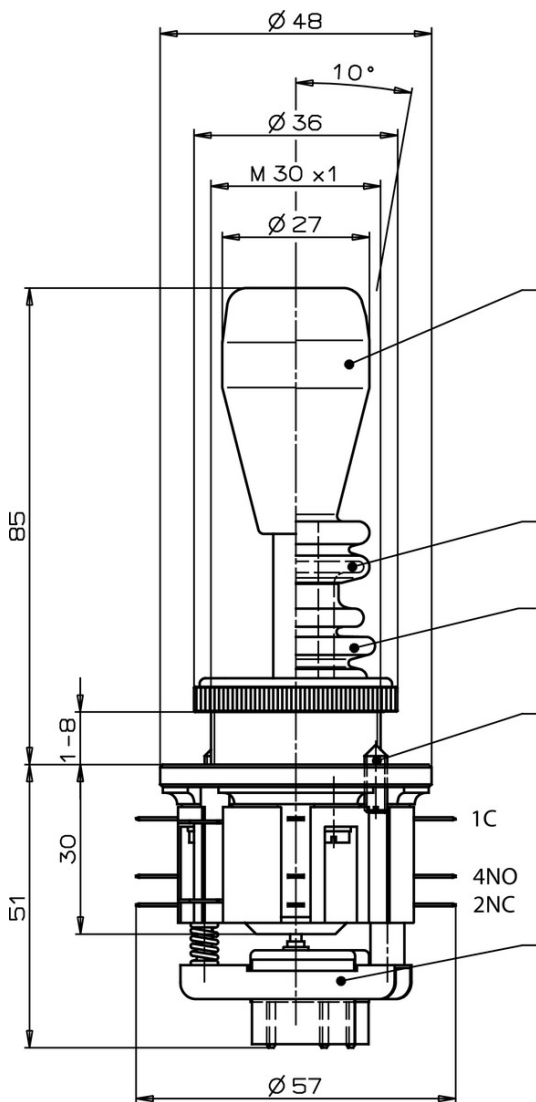
| | |
|--------------------|--|
| Additional feature | |
|--------------------|--|

Pushbutton in handle

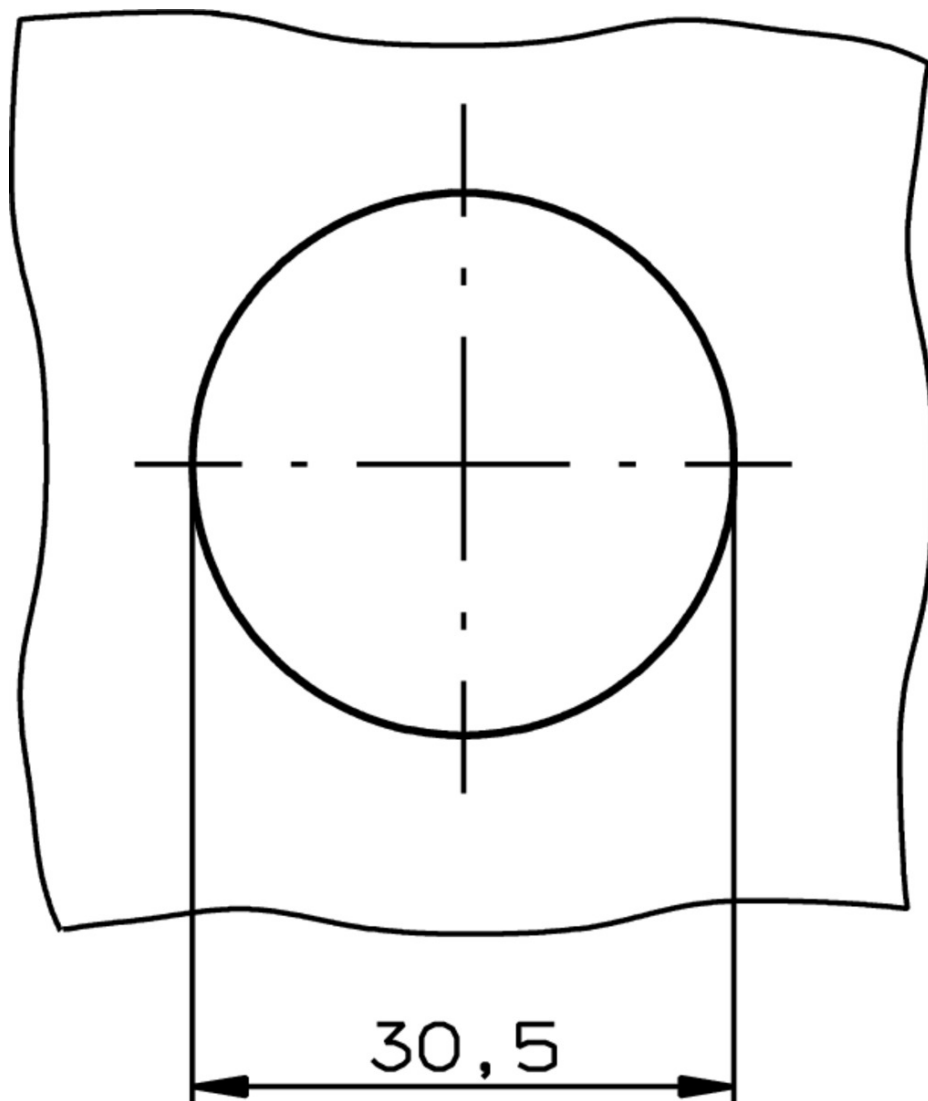
Bellows

- [1] PAK arm
- [2] WKS/WKT
- [3] Snap-action contact element, design ES584
- [4] In neutral position (not actuated) NO contact closed, NC contact open
- [5] (Bore 30.5)
- [6] 4 directions and Z contact
- [7] 1 switch / 3 push buttons

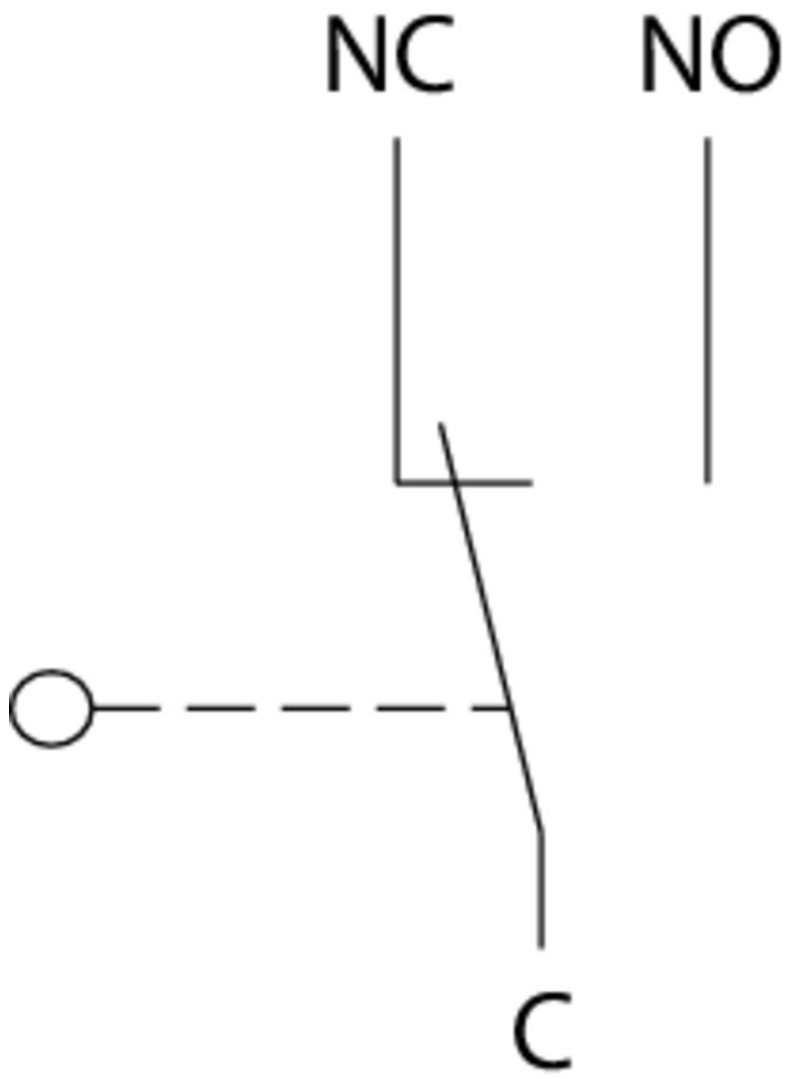
Dimension drawing



Dimension drawing



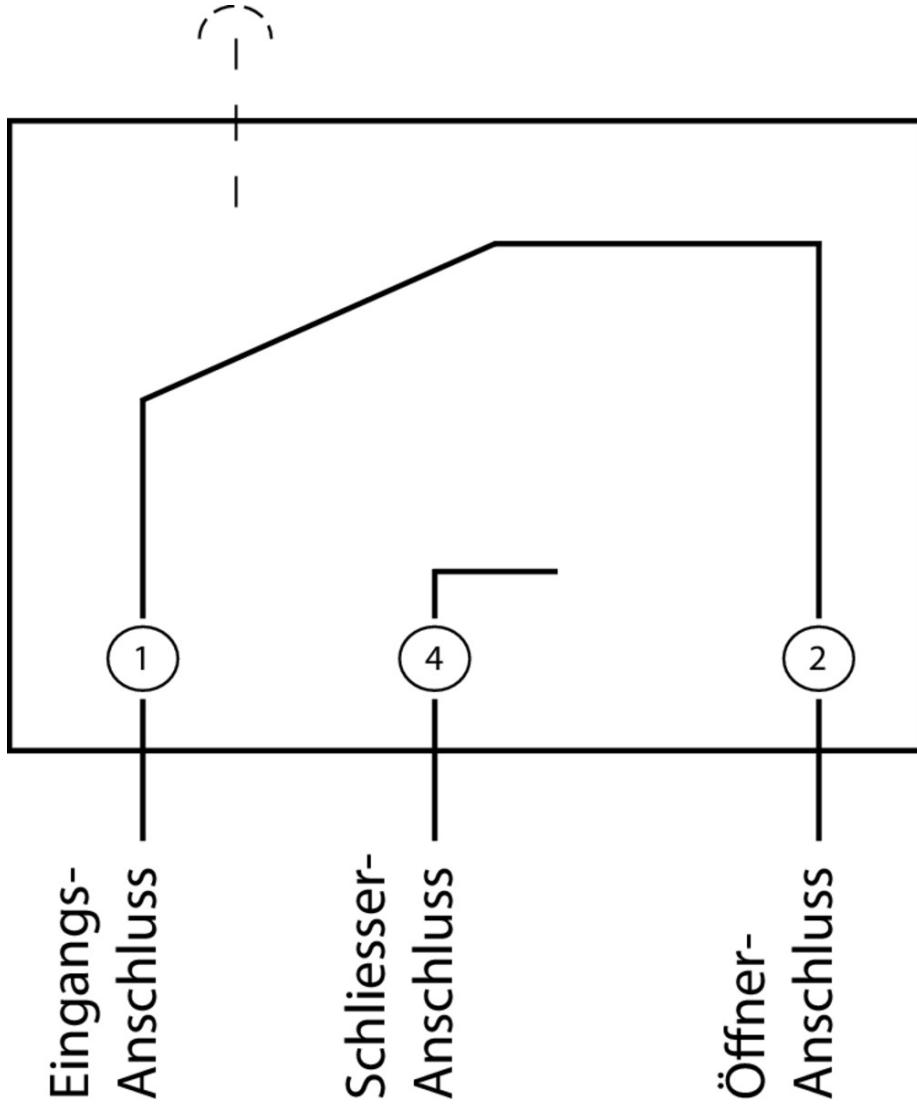
Wiring diagram



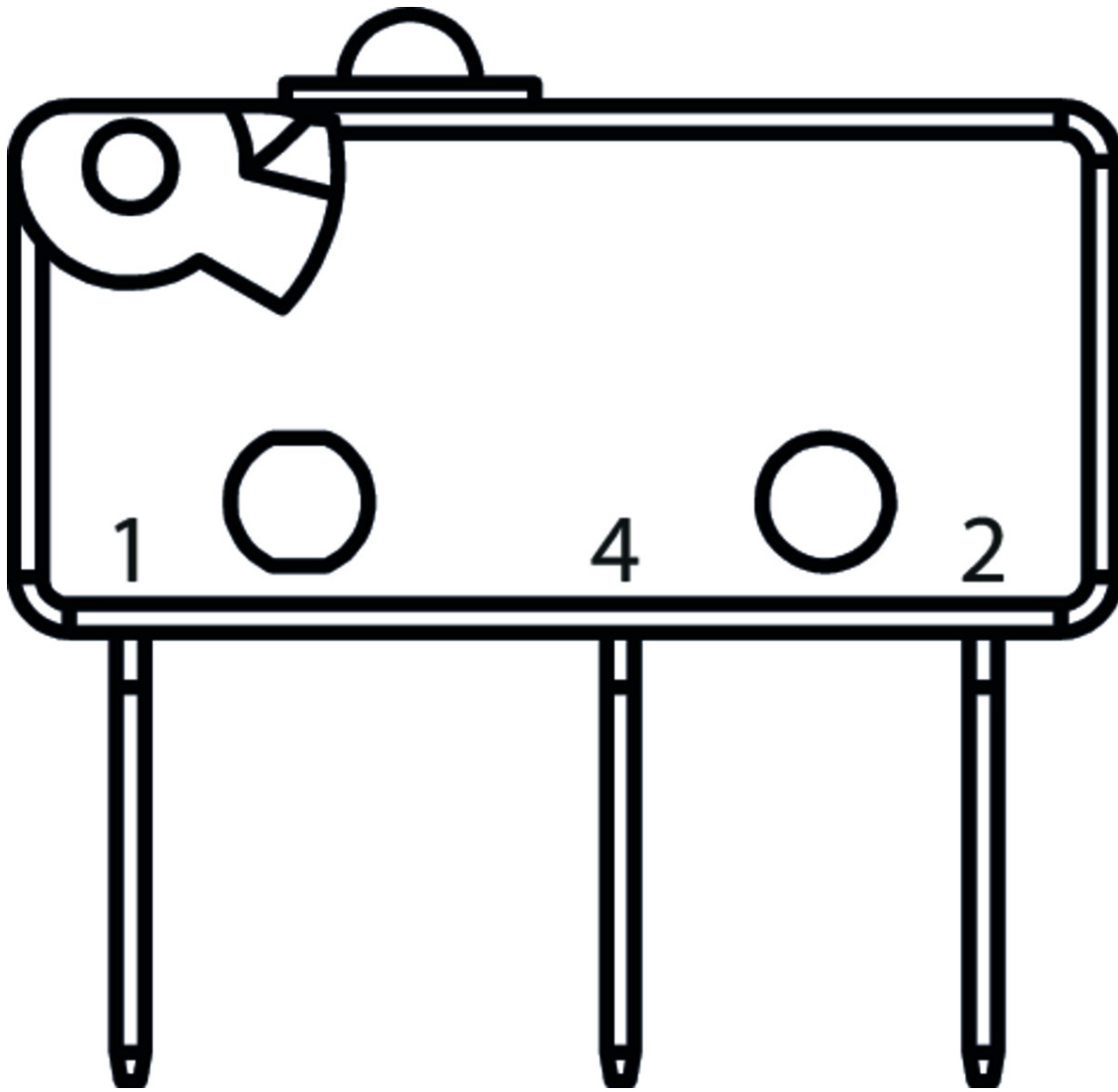
Pushbutton D



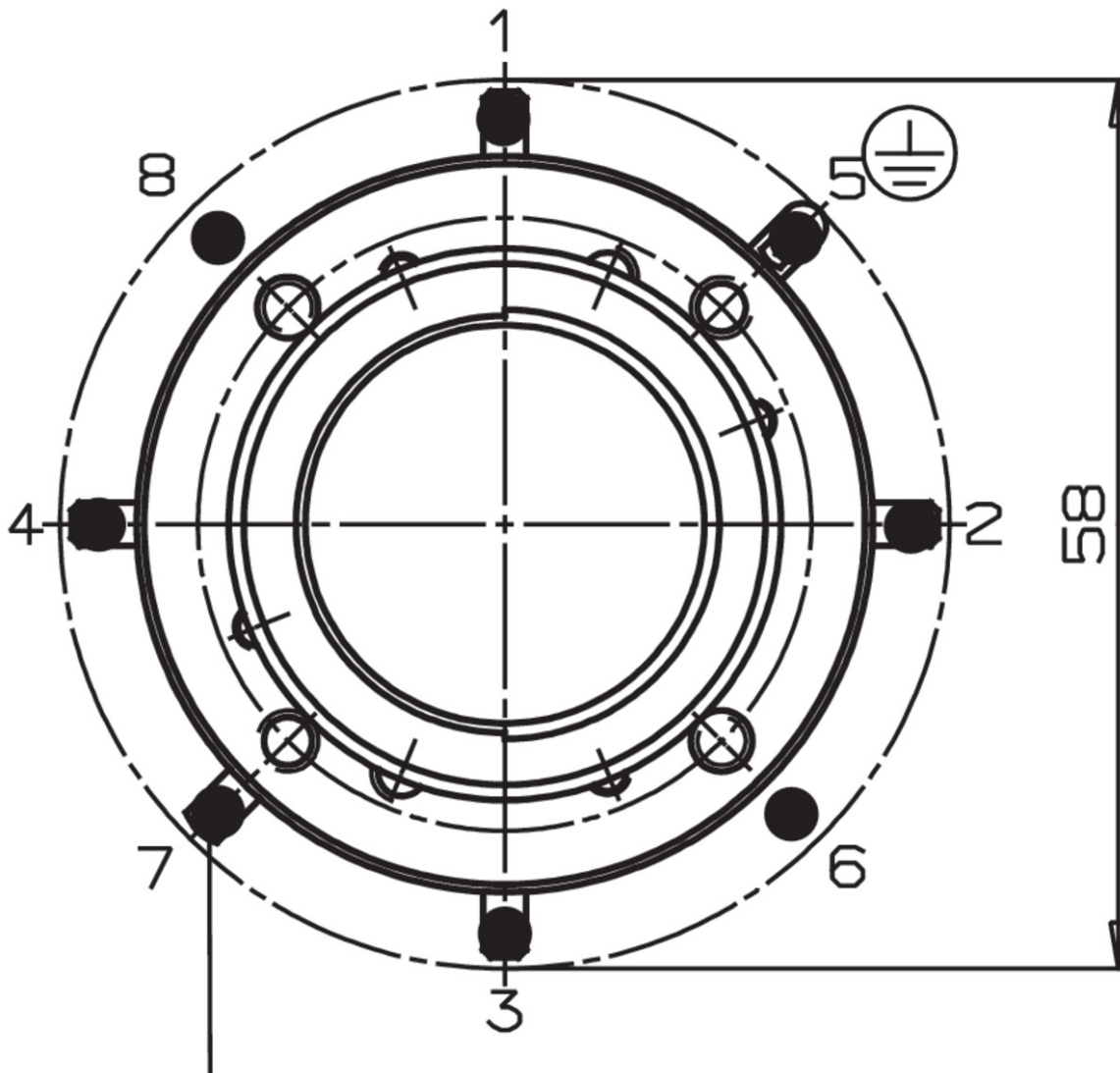
Switching function



Switching element



Switching functions



Catalogs

Einhebel-Befehlsgeräte Joystick Switches Manipulateurs Manipuladores

| | Doc. no. | Version | Language | Download |
|------------------------|----------|----------|----------|----------|
| Einhebel-Befehlsgeräte | 076614 | 13-06/16 | | 1.2 MB |
| Manipulateurs | 111527 | 13-06/16 | | 1.2 MB |
| Manipuladores | 111528 | 13-06/16 | | 1.2 MB |
| Joystick Switches | 076654 | 13-06/16 | | 1.2 MB |

Declaration of conformity

EU-Konformitätserklärung

| Doc. no. | Version | Language | Download |
|----------|---------|----------|----------|
|----------|---------|----------|----------|

EU-Konformitätserklärung
Declaración UE de conformidad
Déclaration UE de conformité
Dichiarazione di conformità
EU declaration of conformity

2108566 05-03/17



 0.2 MB