

ITEM 059291 WKS13VWZ

Description	Technical data	Accessories	Downloads
-------------	----------------	-------------	-----------



Features

- › Front panel installation according to IEC 947-5-1 D30
- › Switch with actuating directions 1 +3
- › One changeover contact with tab connector 2.8 x 0.5 IEC 760 for each actuating direction
- › Locking in central position
- › Bellows
- › Center position switch

Approvals



Mechanical values and environment

Material	Housing thermoplastic/aluminum
----------	--------------------------------

	Switching lever stainless steel
	Bellows elastomer black [1]
Weight	
	Net 0,17 kg
Ambient temperature	-25 ... 65 °C
Degree of protection	IP65 on the front with bellows
Mechanical life	min.1 x 10 ⁶
Contact material	Silver alloy
Switching principle	changeover contact C IEC 947-5-1 [2]
Center-position switch	1 changeover contact [3]
Mounting method	IEC 947-5-1 D30 [4]
Number of monitoring contacts	2 + 1 [5]
Connection	Tab connector 2.8x0.5 IEC760
Actuating directions	2 [6]

Electrical connection ratings

Utilization category according to EN 60947-5-1	
	AC-15 230V 4A
	DC-13 24V 2A
Short circuit protection according to IEC 60269-1	Slow-blow T6 / quick-blow F10
Rated insulation voltage U _i	250 V
Rated impulse withstand voltage U _{imp}	2,5 kV
Switching voltage	min.10 V
Switching current	
	(at 24V) min.12 mA

Miscellaneous

Additional feature	
	Bellows
	Interlocking

[1] PAK arm

[2] Snap-action contact element, design ES584

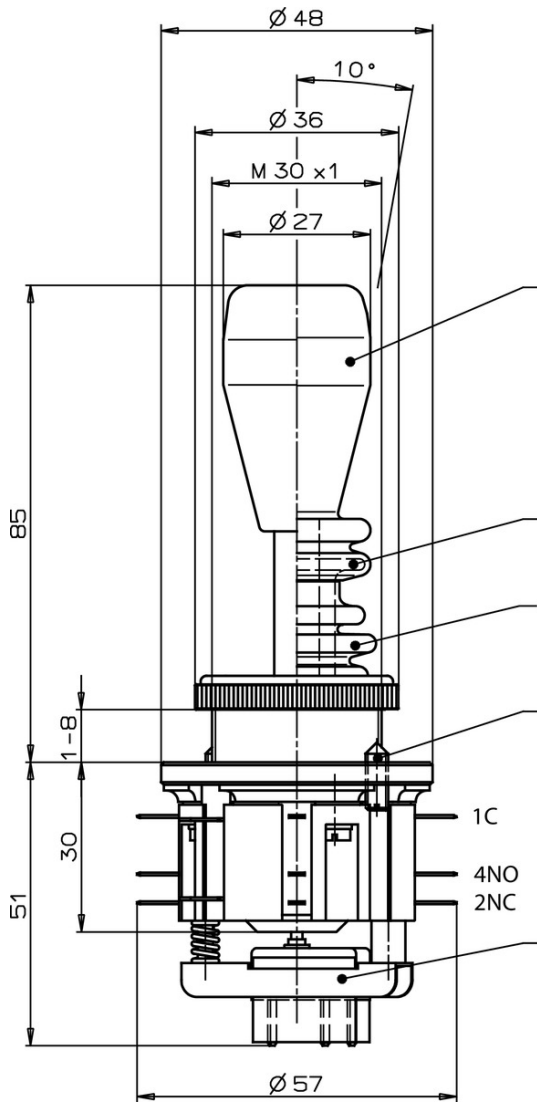
[3] In neutral position (not actuated) NO contact closed, NC contact open

[4] (Bore 30.5)

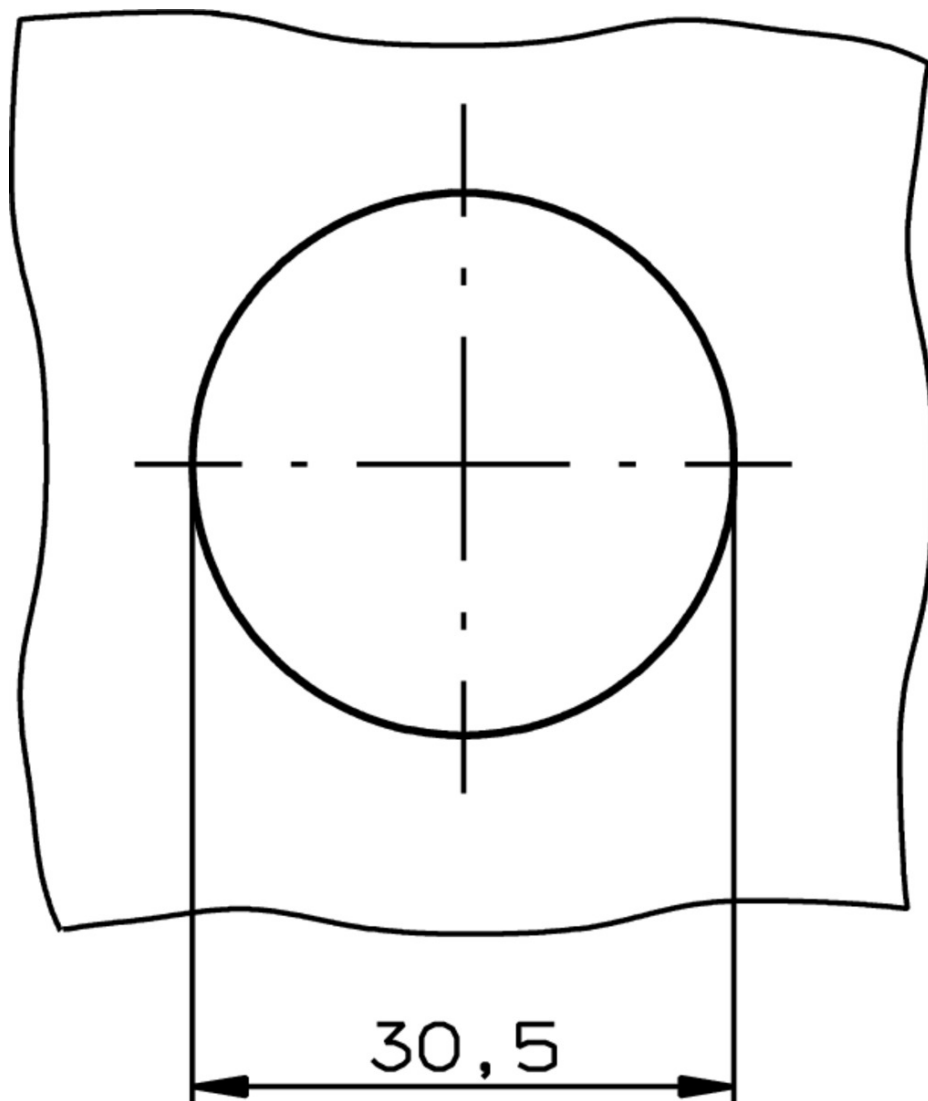
[5] 2 directions and Z contact

[6] 2 switches

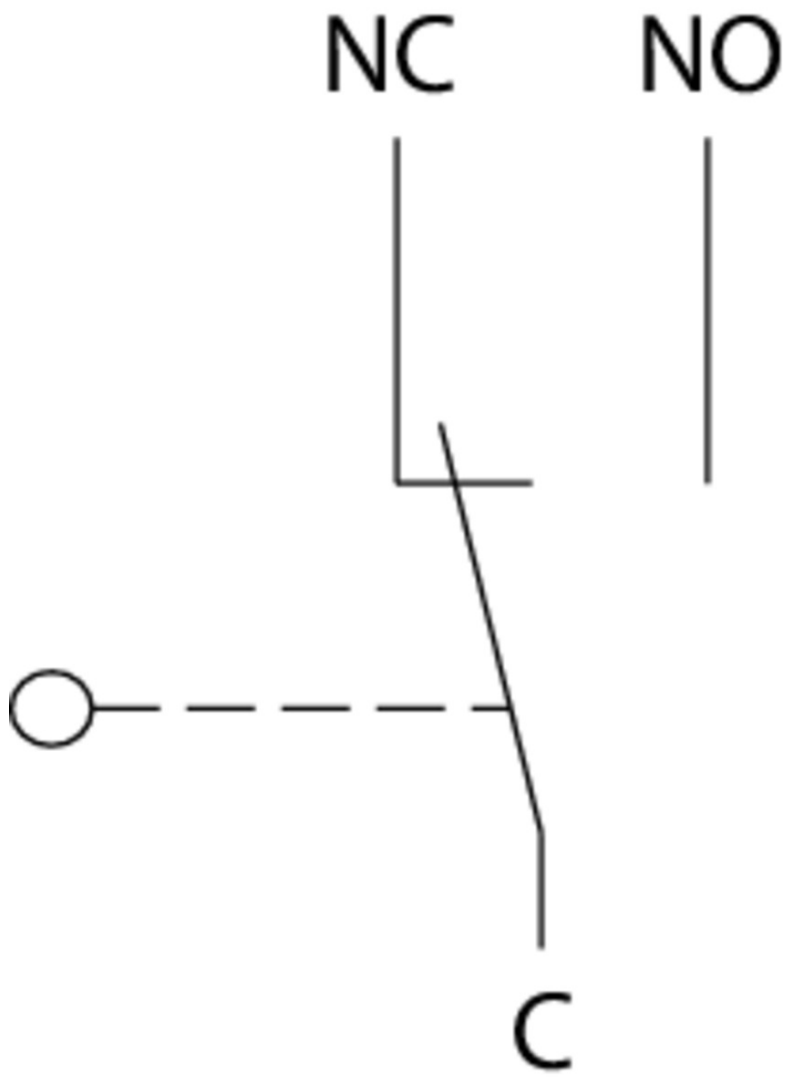
Dimension drawing



Dimension drawing



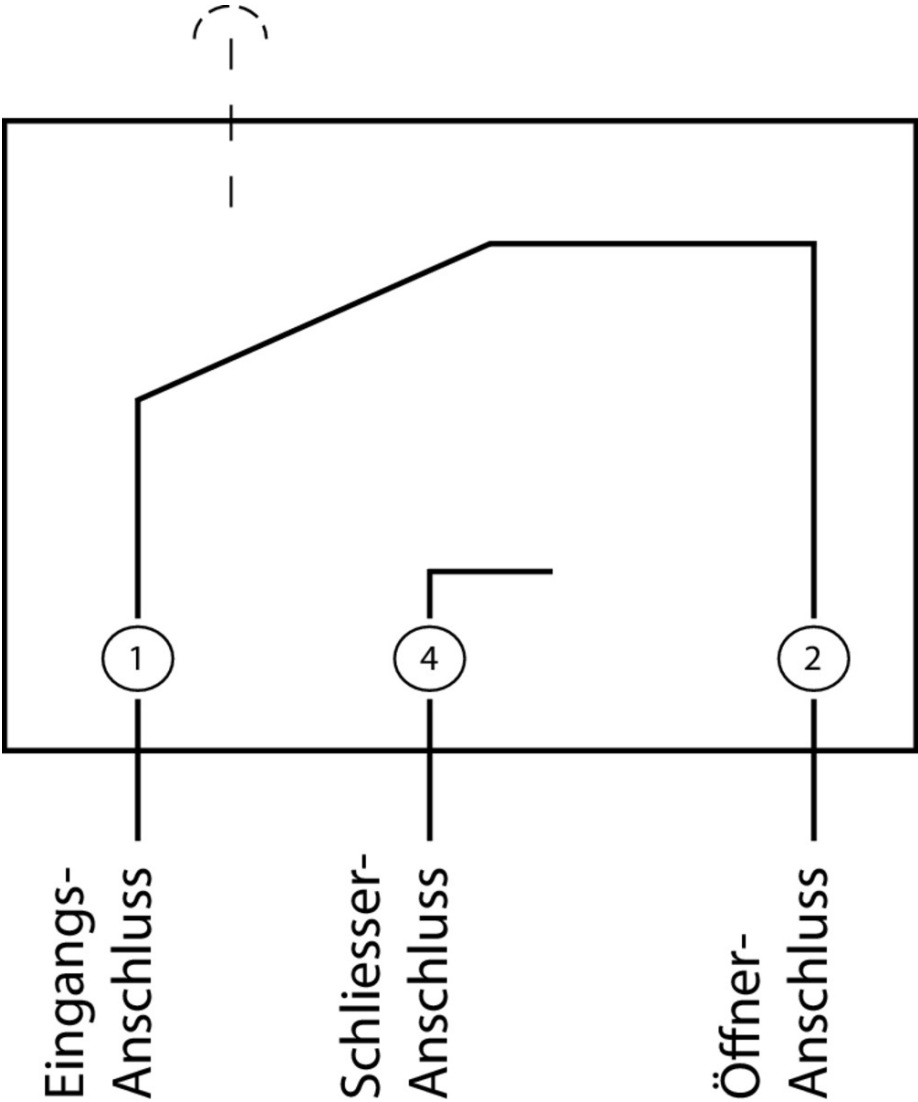
Wiring diagram



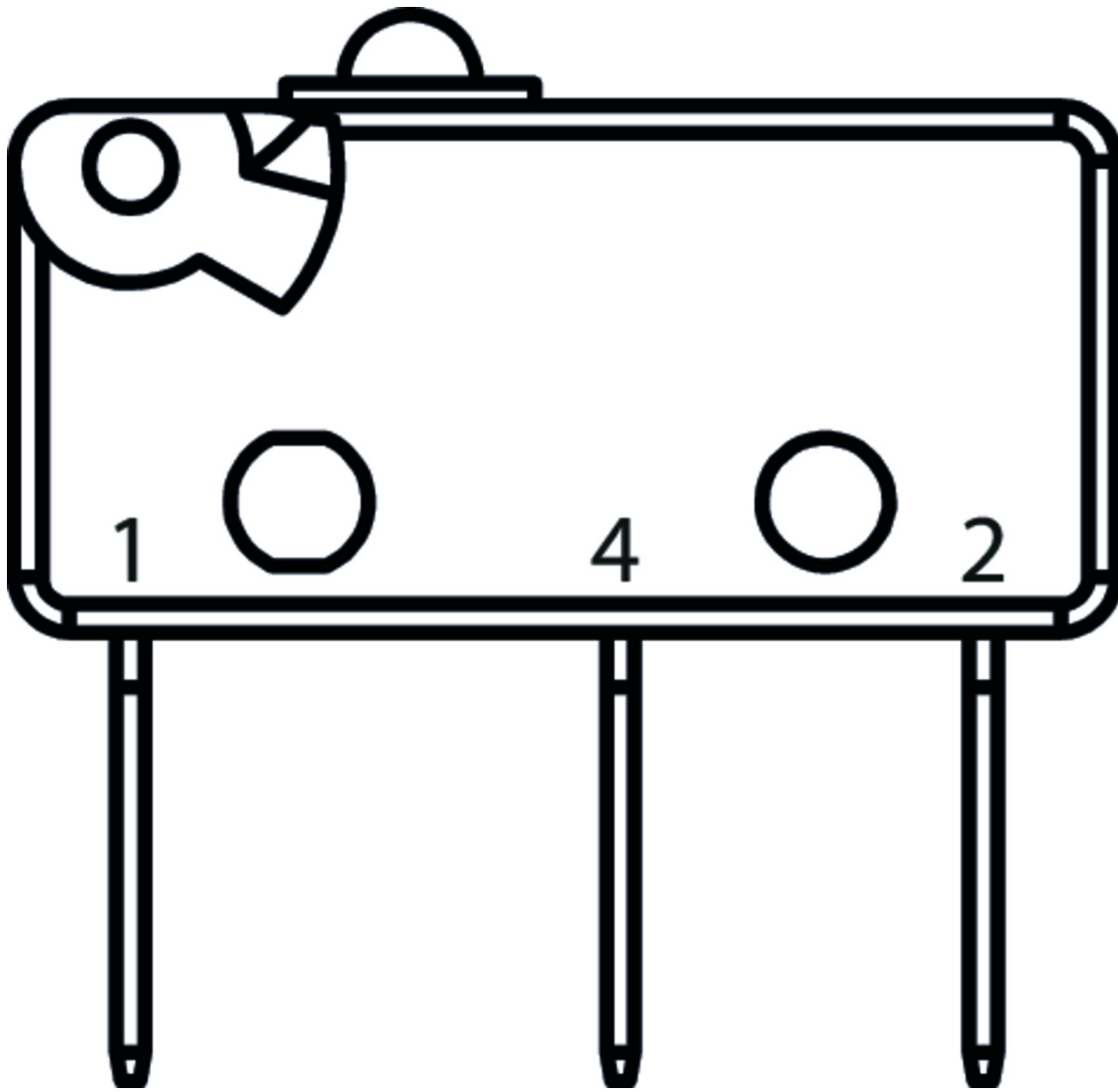
Pushbutton D



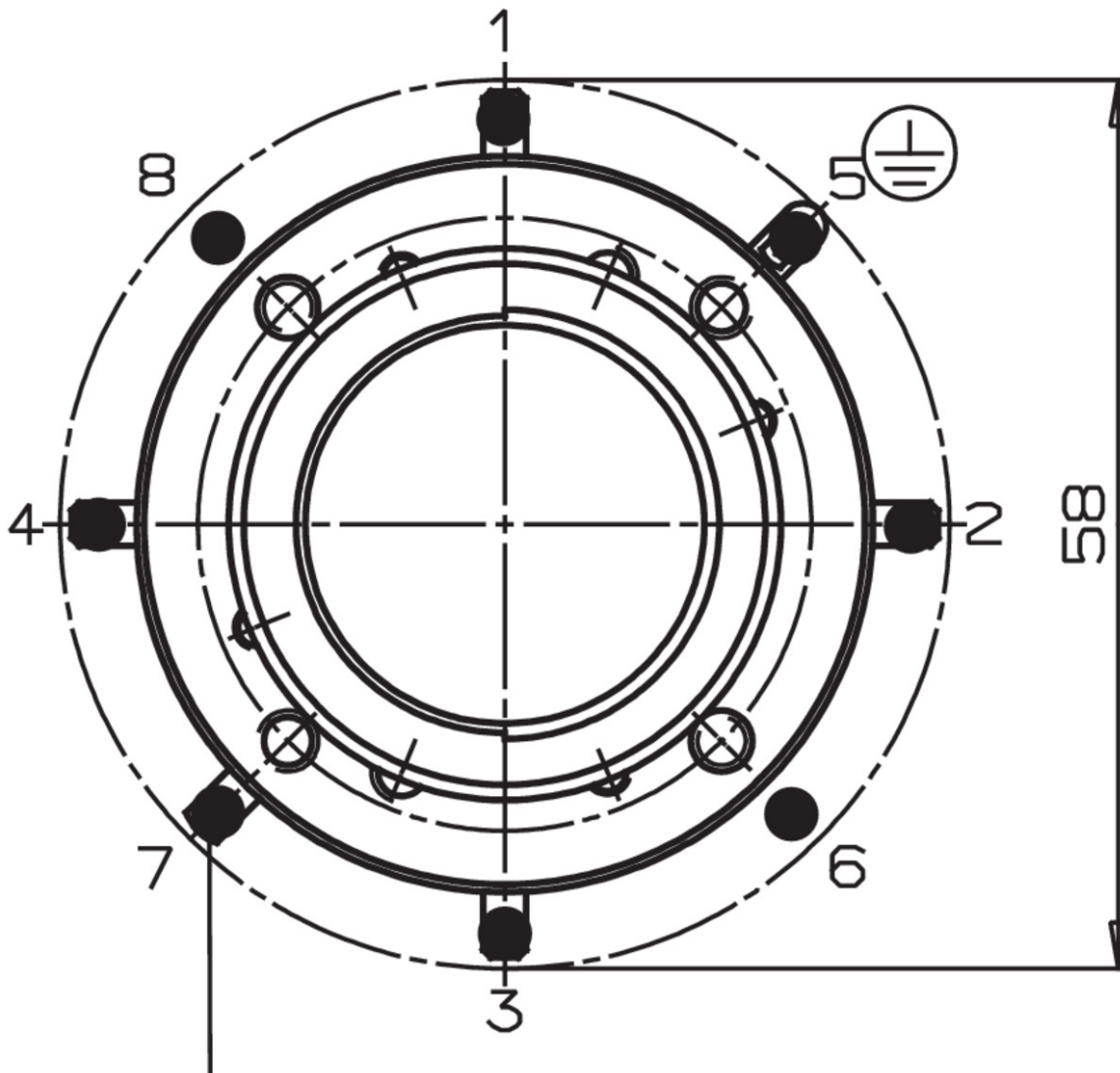
Switching function



Switching element



Switching functions



Catalogs

Einhebel-Befehlsgeräte Joystick Switches Manipulateurs Manipuladores

	Doc. no.	Version	Language	Download
Einhebel-Befehlsgeräte	076614	13-06/16		1.2 MB
Manipulateurs	111527	13-06/16		1.2 MB
Manipuladores	111528	13-06/16		1.2 MB
Joystick Switches	076654	13-06/16		1.2 MB

Declaration of conformity

EU-Konformitätserklärung

Doc. no.	Version	Language	Download
----------	---------	----------	----------

EU-Konformitätserklärung
Declaración UE de conformidad
Déclaration UE de conformité
Dichiarazione di conformità
EU declaration of conformity

2108566 05-03/17



 0.2 MB