

**ITEM 105358 WKS4/8WZ**

Description	Technical data	Accessories	Downloads
-------------	----------------	-------------	-----------



**Features**

- › Front panel installation according to IEC 947-5-1 D30
- › Switch with 4 actuating directions
- › Two changeover contacts with tab connector 2.8 x 0.5 IEC 760 for each actuating direction
- › Center position switch
- › Bellows

**Approvals**



**Mechanical values and environment**

Material	
	Housing thermoplastic/aluminum
	Switching lever stainless steel

	Bellows elastomer black <b>[1]</b>
Weight	
	Net 0,17 kg
Ambient temperature	-25 ... 65 °C
Degree of protection	IP65 on the front with bellows
Mechanical life	min.1 x 10 <sup>6</sup>
Contact material	Silver alloy
Switching principle	changeover contact C IEC 947-5-1 <b>[2]</b>
Center-position switch	1 changeover contact <b>[3]</b>
Mounting method	IEC 947-5-1 D30 <b>[4]</b>
Number of monitoring contacts	8 + 1 <b>[5]</b>
Connection	Tab connector 2.8x0.5 IEC760
Actuating directions	4 <b>[6]</b>

### Electrical connection ratings

Utilization category according to EN 60947-5-1	
	AC-15 230V 4A
	DC-13 24V 2A
Short circuit protection according to IEC 60269-1	Slow-blow T6 / quick-blow F10
Rated insulation voltage U <sub>i</sub>	250 V
Rated impulse withstand voltage U <sub>imp</sub>	2,5 kV
Switching voltage	min.10 V
Switching current	
	(at 24V) min.12 mA

### Miscellaneous

Additional feature	Bellows
--------------------	---------

**[1]** PAK arm

**[2]** Snap-action contact element, design ES584

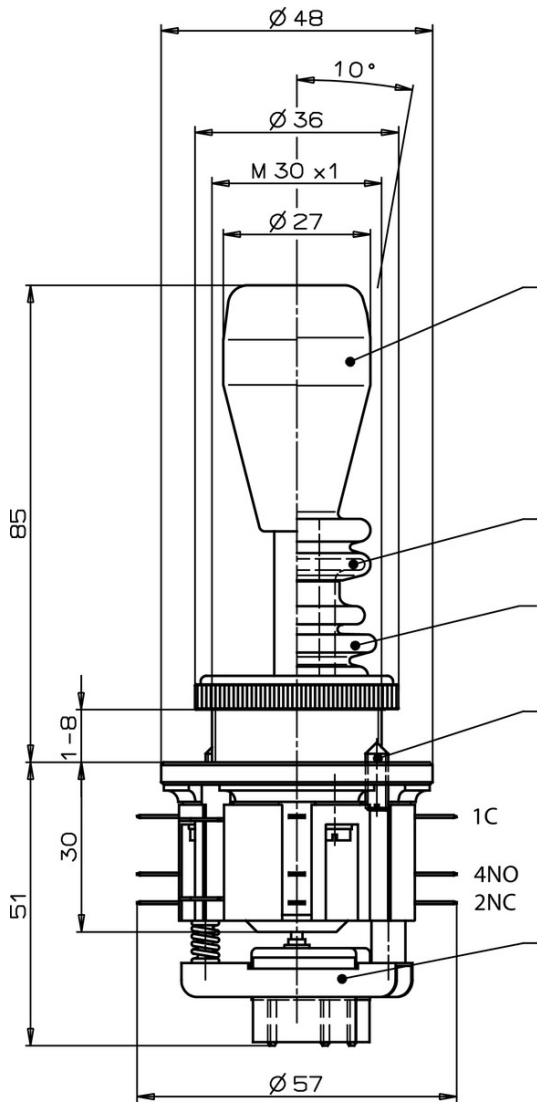
**[3]** In neutral position (not actuated) NO contact closed, NC contact open

**[4]** (Bore 30.5)

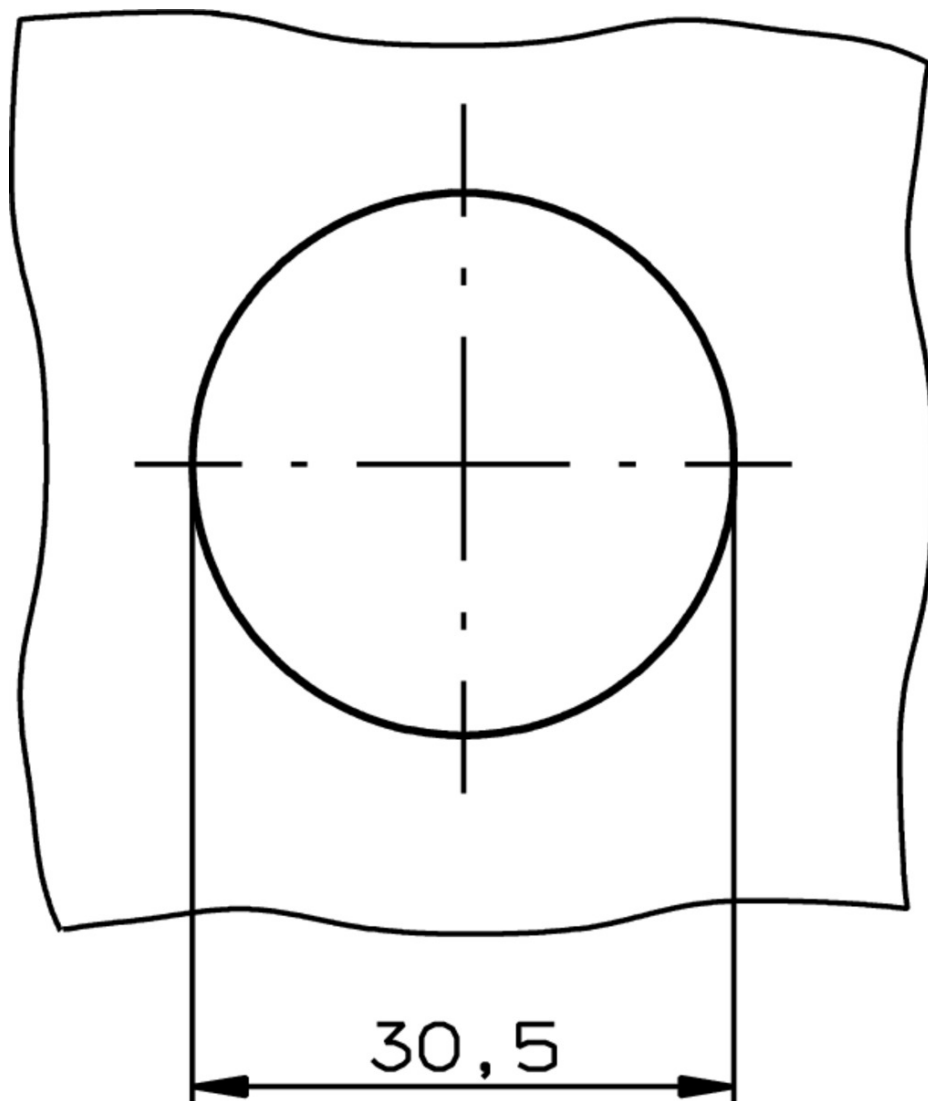
**[5]** 4 directions and Z contact

**[6]** Switch

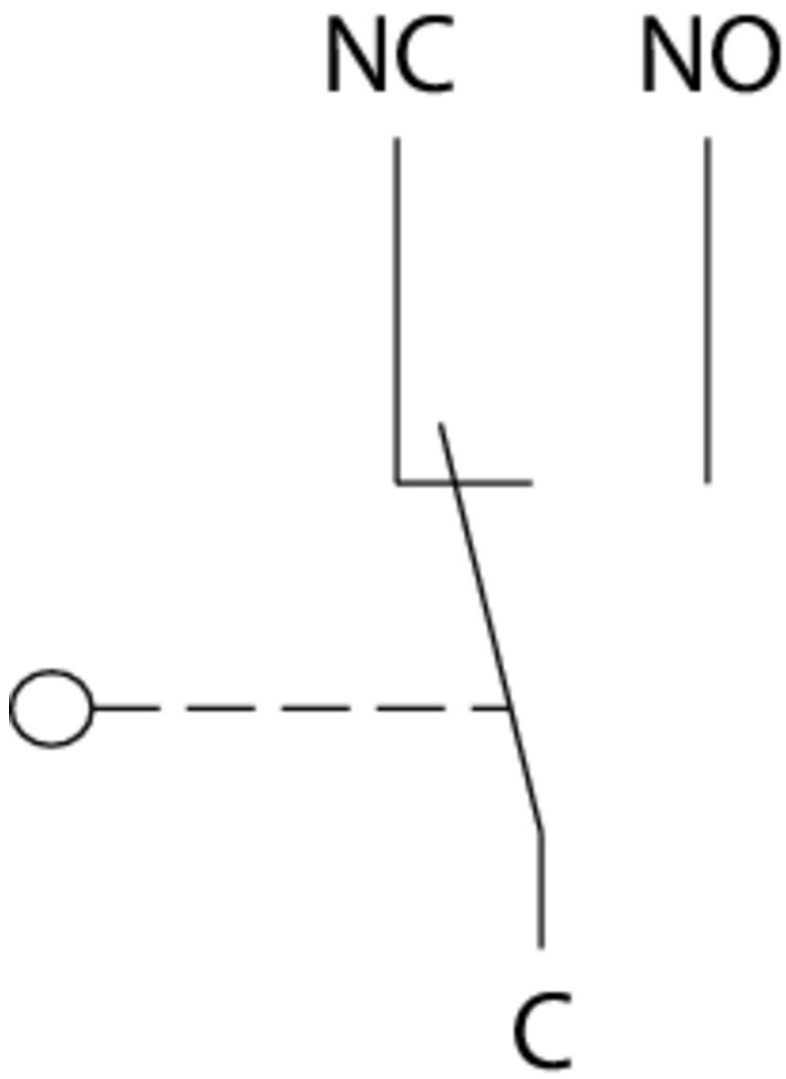
# Dimension drawing



**Dimension drawing**



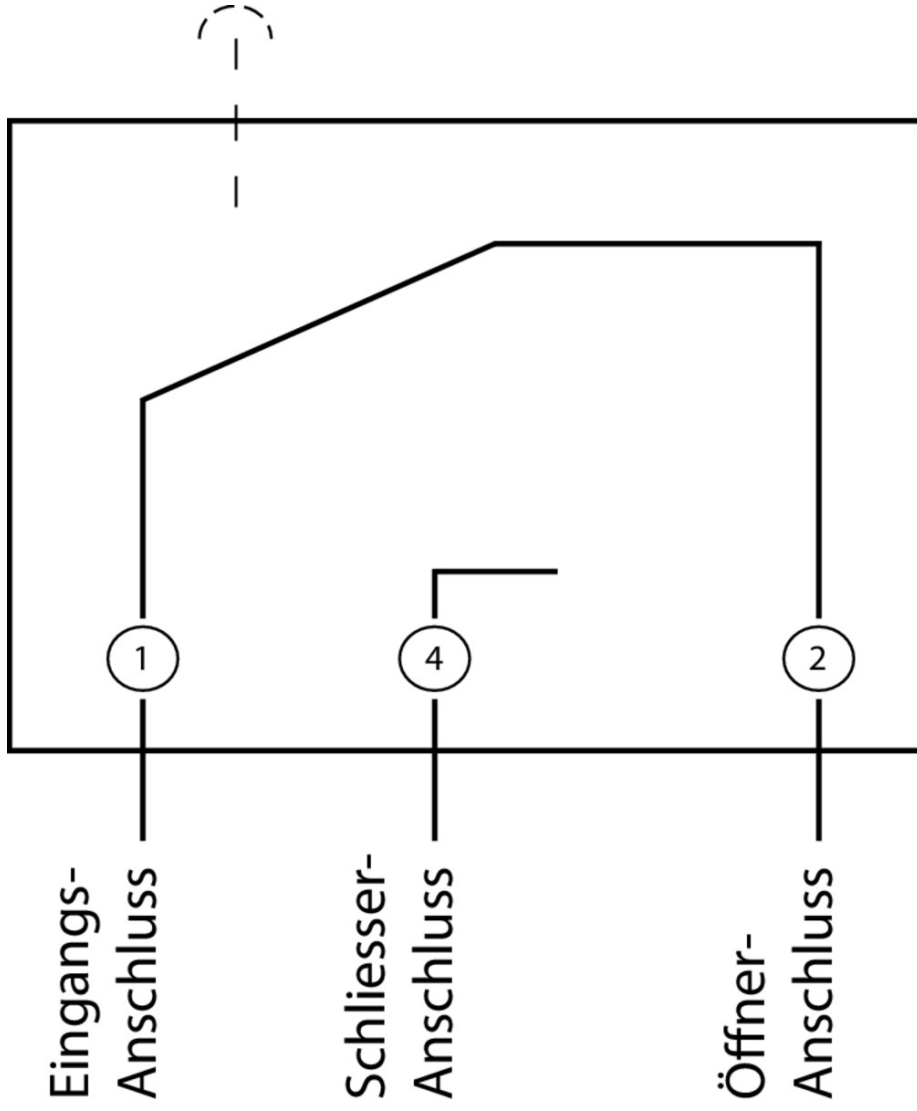
**Wiring diagram**



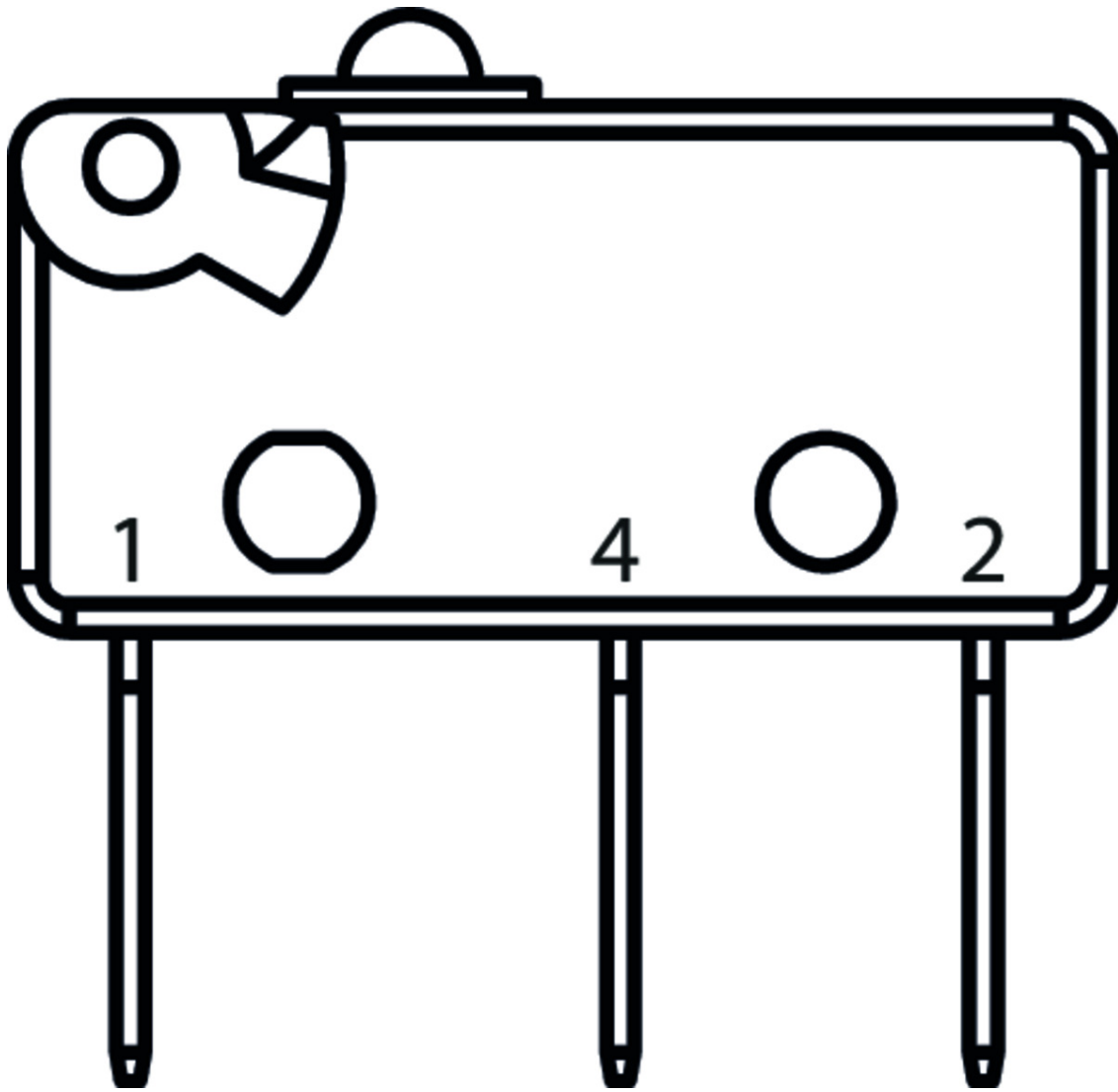
**Pushbutton D**



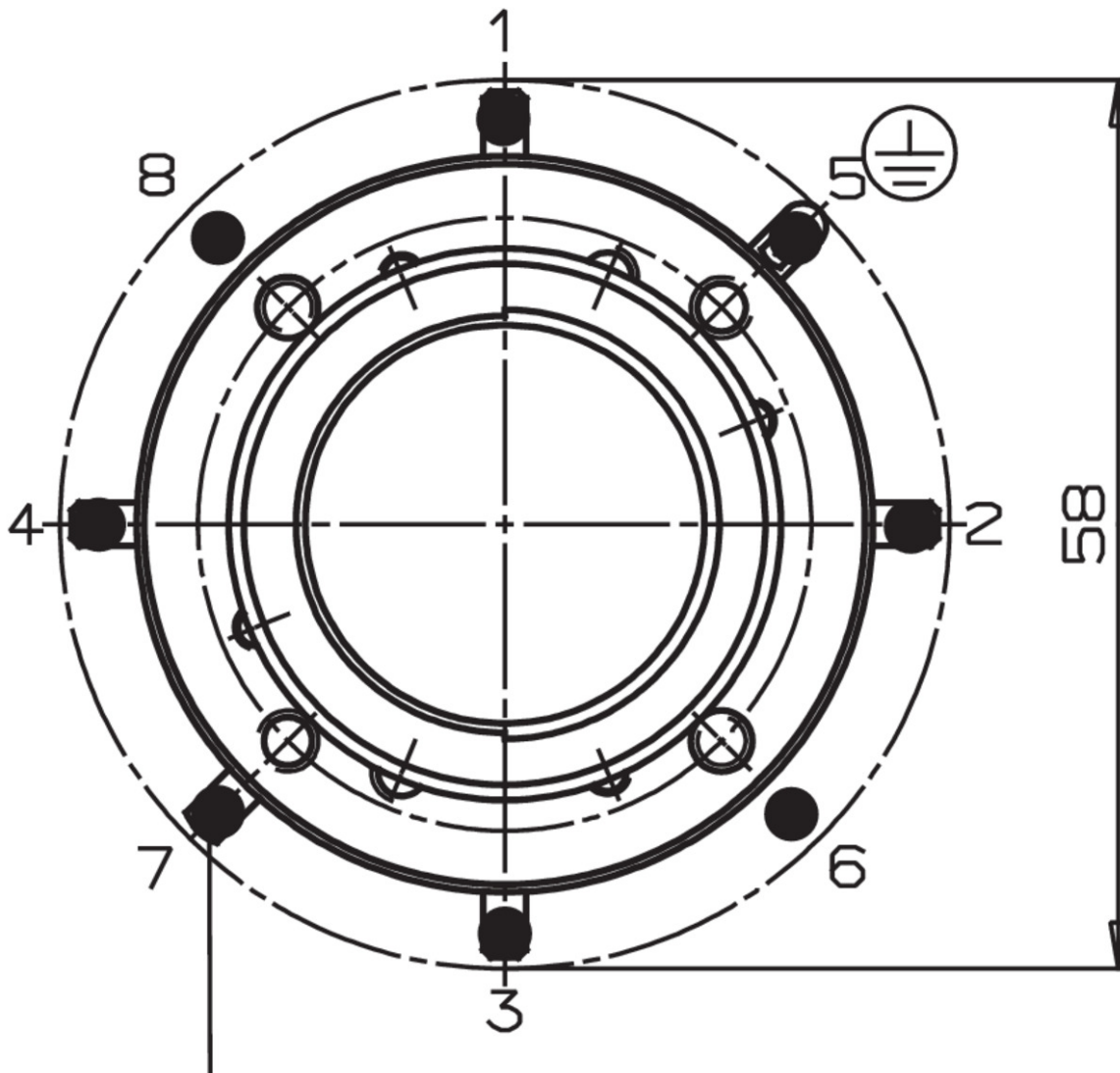
Switching function



Switching element



## Switching functions



## Catalogs

Einhebel-Befehlsgeräte Joystick Switches Manipulateurs Manipuladores






	Doc. no.	Version	Language	Download
Einhebel-Befehlsgeräte	076614	13-06/16		1.2 MB
Manipulateurs	111527	13-06/16		1.2 MB
Manipuladores	111528	13-06/16		1.2 MB
Joystick Switches	076654	13-06/16		1.2 MB

## Declaration of conformity

EU-Konformitätserklärung

Doc. no.	Version	Language	Download
----------	---------	----------	----------



EU-Konformitätserklärung	2108566	05-03/17		 0.2 MB
Declaración UE de conformidad				
Déclaration UE de conformité				
Dichiarazione di conformità				
EU declaration of conformity			