

**ITEM 000391 WET13Z**

Description	Technical data	Accessories	Downloads
-------------	----------------	-------------	-----------



**Features**

- › Front panel installation at rear or with front plate
- › Push button with actuating directions 1+3
- › One changeover contact with screw terminal for each actuating direction
- › Center position switch

**Approvals**



**Mechanical values and environment**

Material	
	Housing thermoplastic/aluminum
	Switching lever galvanized steel
	Bellows elastomer black <b>[1]</b>

Weight		
	Net	0,65 kg
Ambient temperature		-5 ... 65 °C
Degree of protection		IP54 on the front without bellows
Mechanical life		min.1 x 10 <sup>6</sup>
Contact material		Silver alloy
Switching principle		Changeover contact ZA IEC 947-5-1 <b>[2]</b>
Center-position switch		1 changeover contact <b>[3]</b>
Mounting method		1x hole 42 and 8x 4.5 for M4 <b>[4]</b>
Number of monitoring contacts		2 + 1 <b>[5]</b>
Connection		Screw terminal
Actuating directions		2 <b>[6]</b>

### Electrical connection ratings

Utilization category according to EN 60947-5-1		
	AC-15	230V 10A
	DC-13	24V 4A
Short circuit protection according to IEC 60269-1		T16 / F25
Rated insulation voltage U <sub>i</sub>		250 V
Rated impulse withstand voltage U <sub>imp</sub>		2,5 kV
Switching voltage		min.24 V
Switching current		
	(at 24V)	min.50 mA

**[1]** PAK arm

**[2]** Snap-action contact element, design ES502V1

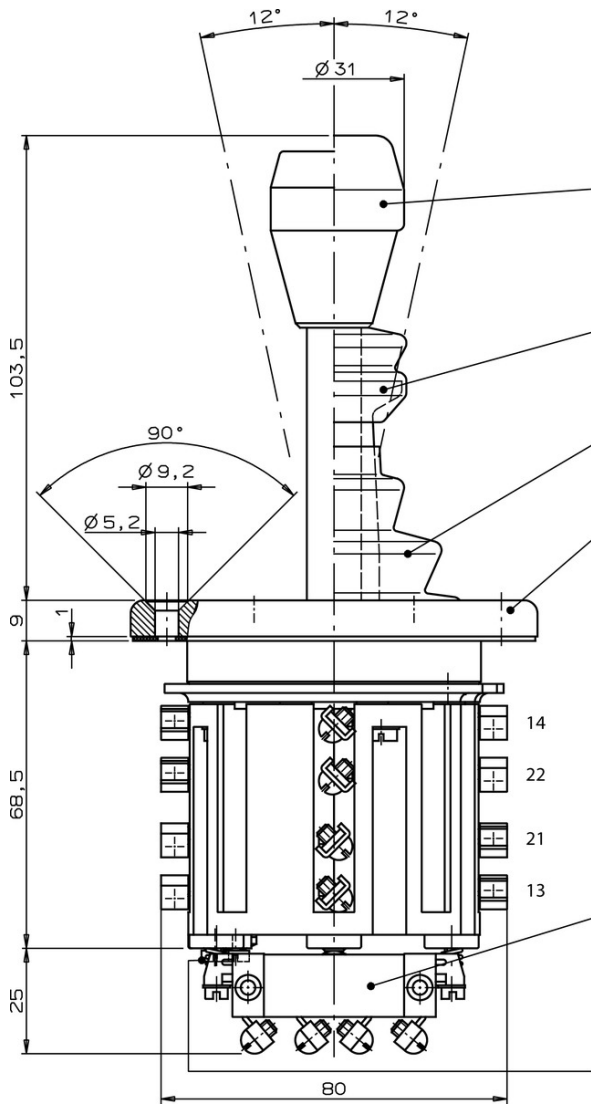
**[3]** In neutral position (not actuated) NO contact closed, NC contact open

**[4]** See drawing

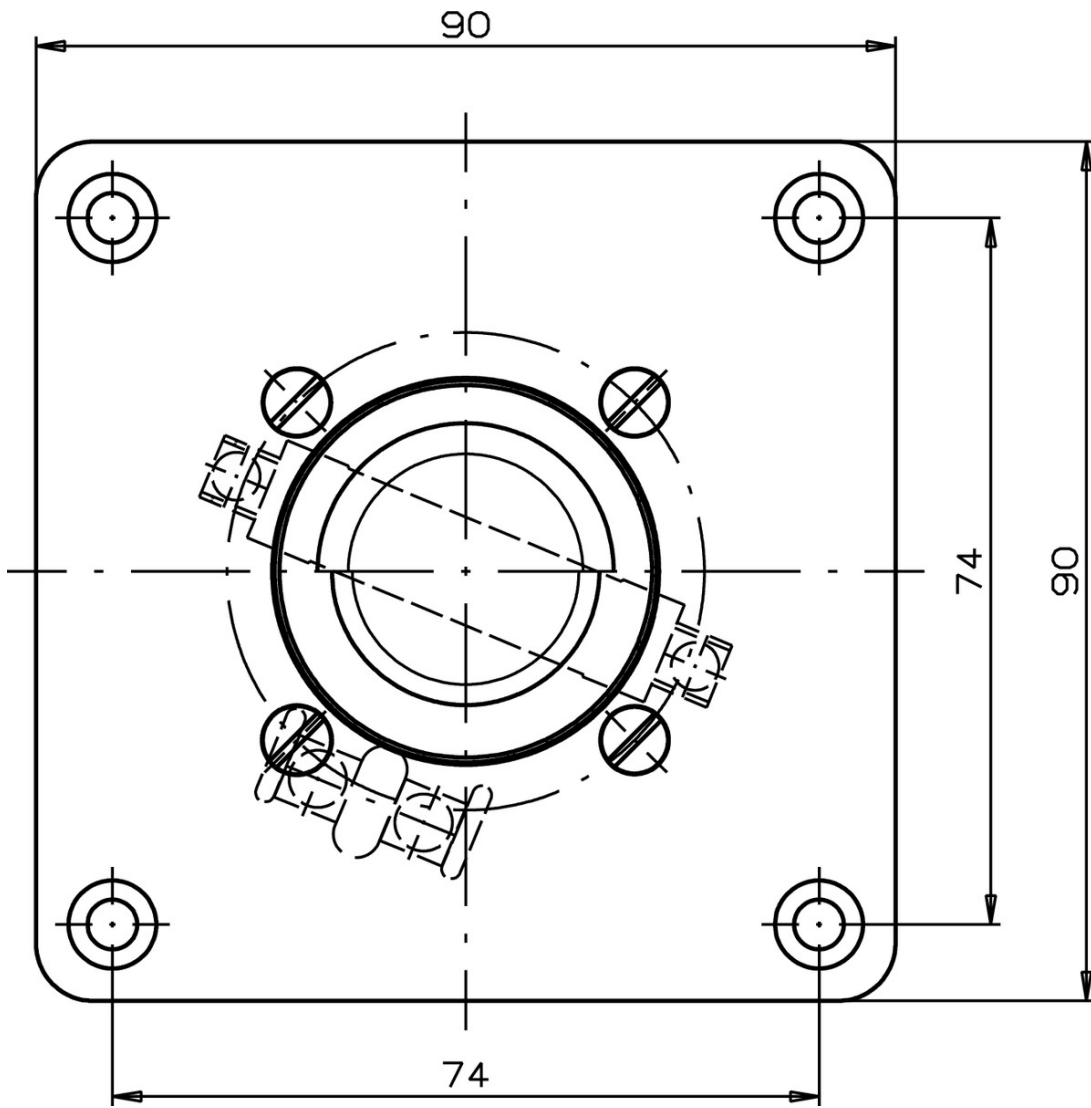
**[5]** 2 directions and Z contact

**[6]** Button

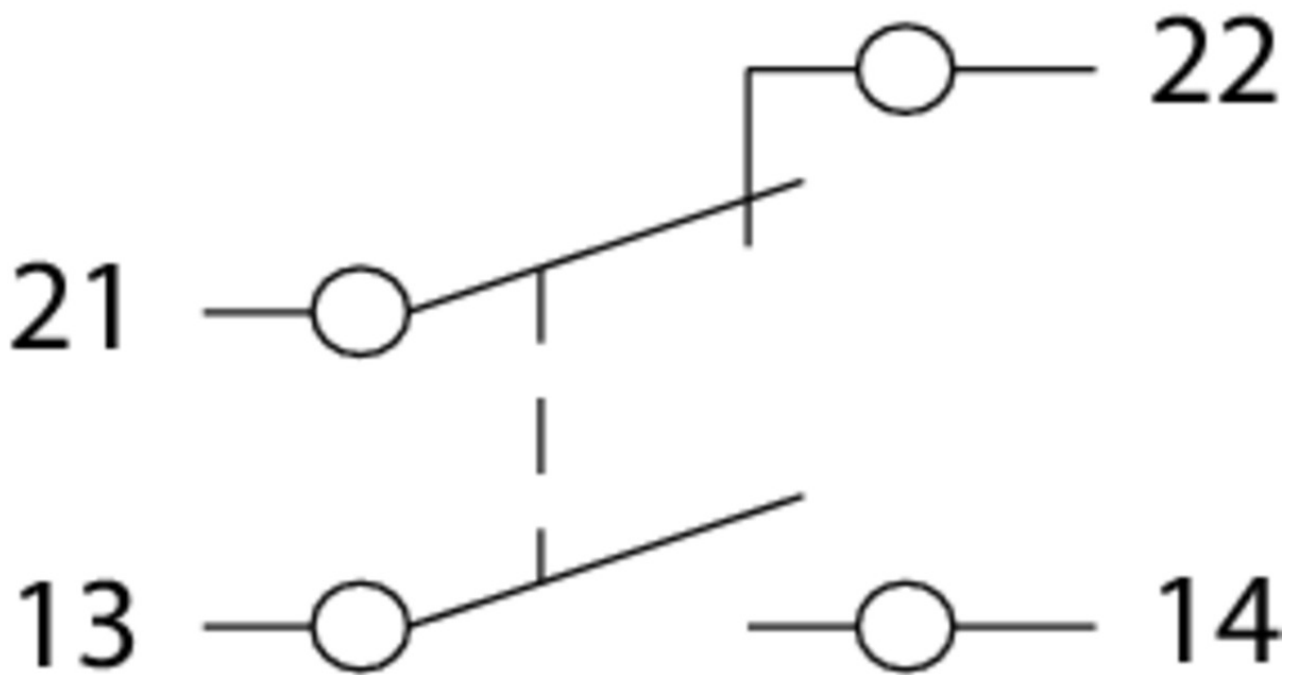
# Dimension drawing



**Dimension drawing**



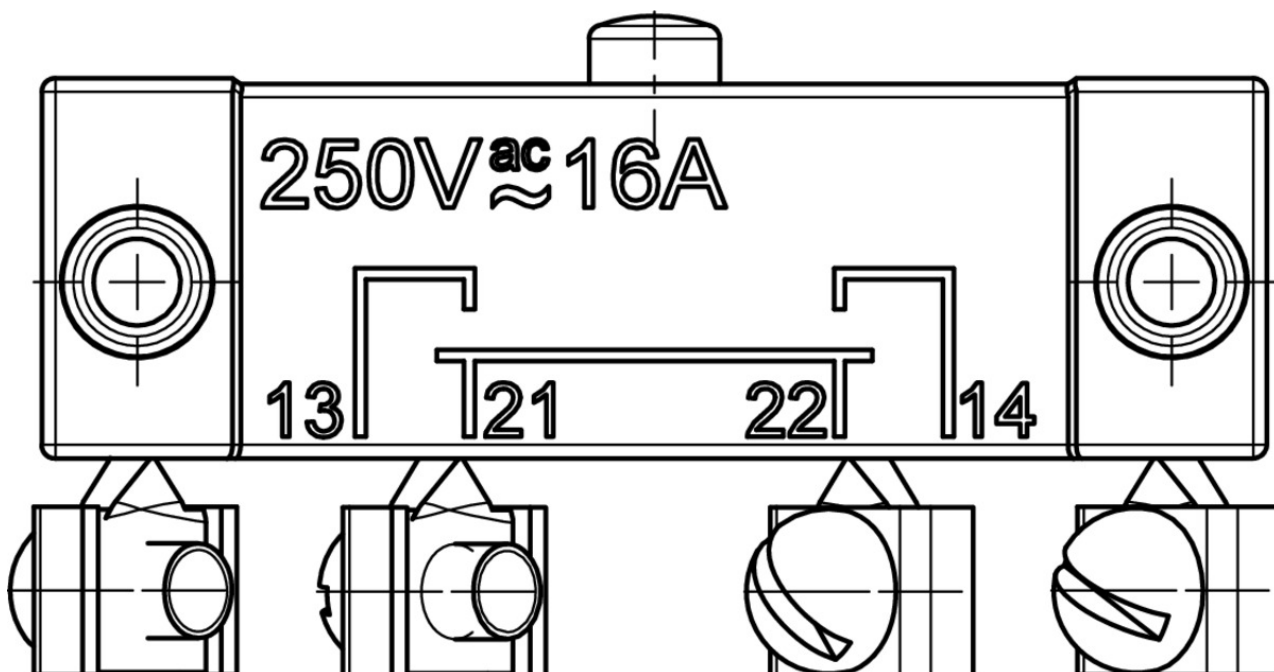
**Wiring diagram**



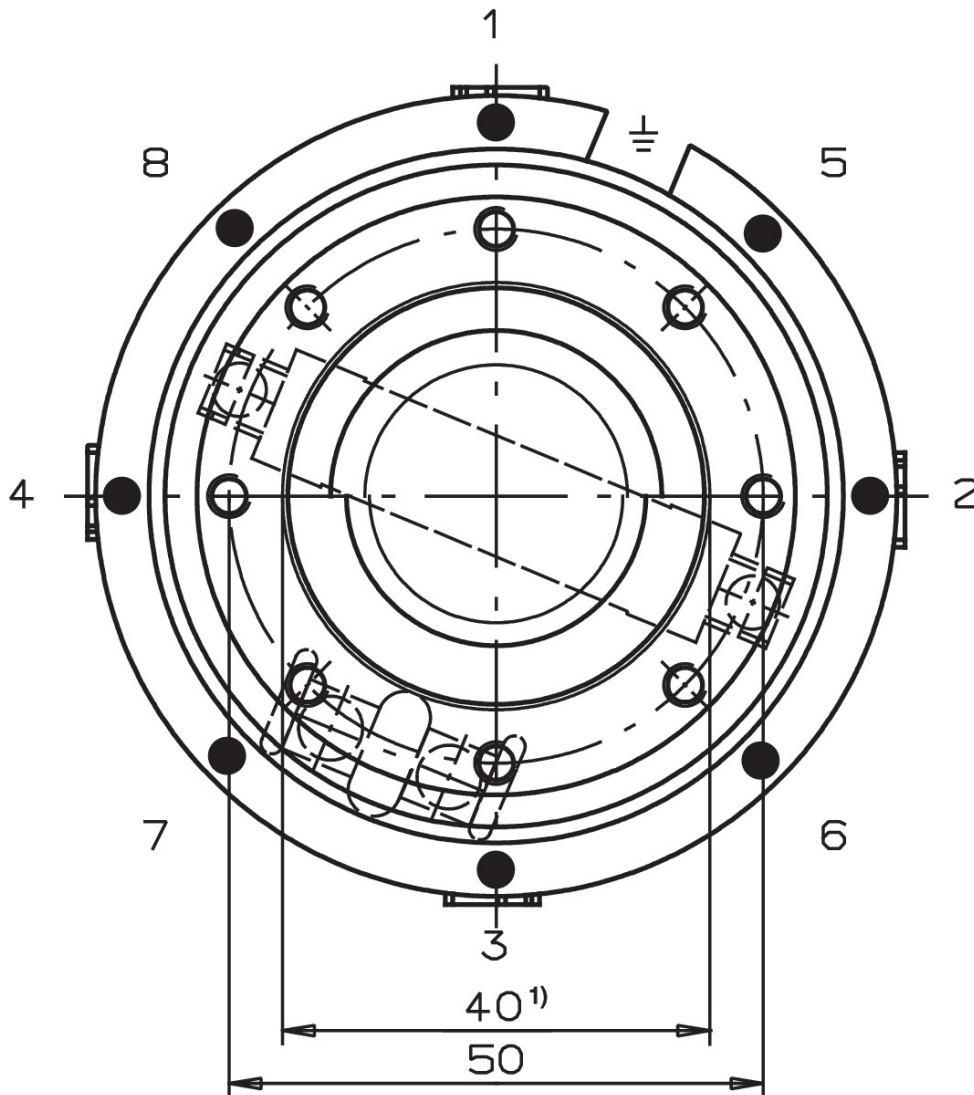
Pushbutton D



Switching element



## Switching functions



## Catalogs

Einhebel-Befehlsgeräte Joystick Switches Manipulateurs Manipuladores

	Doc. no.	Version	Language	Download
Einhebel-Befehlsgeräte	076614	13-06/16		1.2 MB
Manipulateurs	111527	13-06/16		1.2 MB
Manipuladores	111528	13-06/16		1.2 MB
Joystick Switches	076654	13-06/16		1.2 MB

## Declaration of conformity

EU-Konformitätserklärung

Doc. no.	Version	Language	Download
----------	---------	----------	----------

EU-Konformitätserklärung  
Declaración UE de conformidad  
Déclaration UE de conformité  
Dichiarazione di conformità  
EU declaration of conformity

2108566 05-03/17



 0.2 MB