

**ITEM 018637 WES1234DV**

Description	Technical data	Accessories	Downloads
-------------	----------------	-------------	-----------



**Features**

- › Front panel installation at rear or with front plate
- › Switch with actuating directions 1-4
- › One changeover contact with screw terminal for each actuating direction
- › Locking in central position
- › Pushbutton in handle

**Approvals**



**Mechanical values and environment**

Material	
	Housing thermoplastic/aluminum
	Switching lever galvanized steel
	Bellows elastomer black <sup>[1]</sup>

Weight		
	Net	0,65 kg
Ambient temperature		-25 ... 65 °C
Degree of protection		IP54 on the front without bellows
Mechanical life		min.1 x 10 <sup>6</sup>
Contact material		Silver alloy
Switching principle		Changeover contact ZA IEC 947-5-1 [2]
Mounting method		1x hole 42 and 8x 4.5 for M4 [3]
Number of monitoring contacts		4 [4]
Connection		Screw terminal
Actuating directions		4 [5]
		<b>Pushbutton in handle</b>
Switching principle		1 contact
Actuating force		max.8 N
Insertion depth		3 mm
Mechanical life		
	(at 0.7A / 250V AC)	0,05 x 10 <sup>6</sup>

### Electrical connection ratings

Utilization category according to EN 60947-5-1		
	AC-15	230V 10A
	DC-13	24V 4A
Short circuit protection according to IEC 60269-1		T16 / F25
Rated insulation voltage U <sub>i</sub>		250 V
Rated impulse withstand voltage U <sub>imp</sub>		2,5 kV
Switching voltage		min.24 V
Switching current		
	(at 24V)	min.50 mA
		<b>Pushbutton in handle</b>
Switching voltage		min.10 V
Switching current		
	(at 24V)	min.12 mA
Utilization category according to EN 60947-5-1		
	AC-15	230V 2A
	DC-13	24V 1A

### Miscellaneous

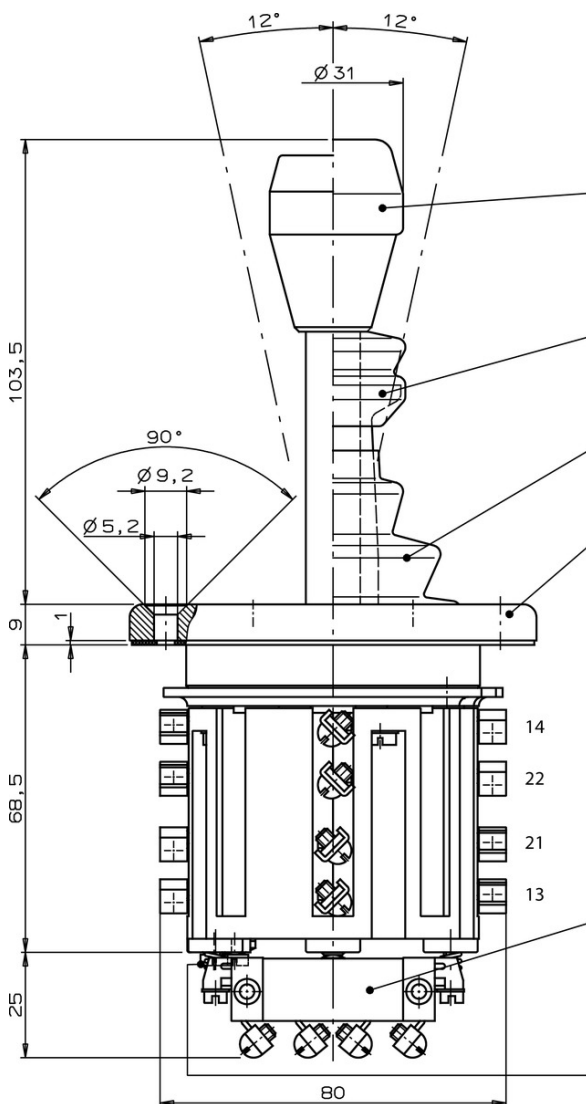
Additional feature	
--------------------	--

Pushbutton in handle

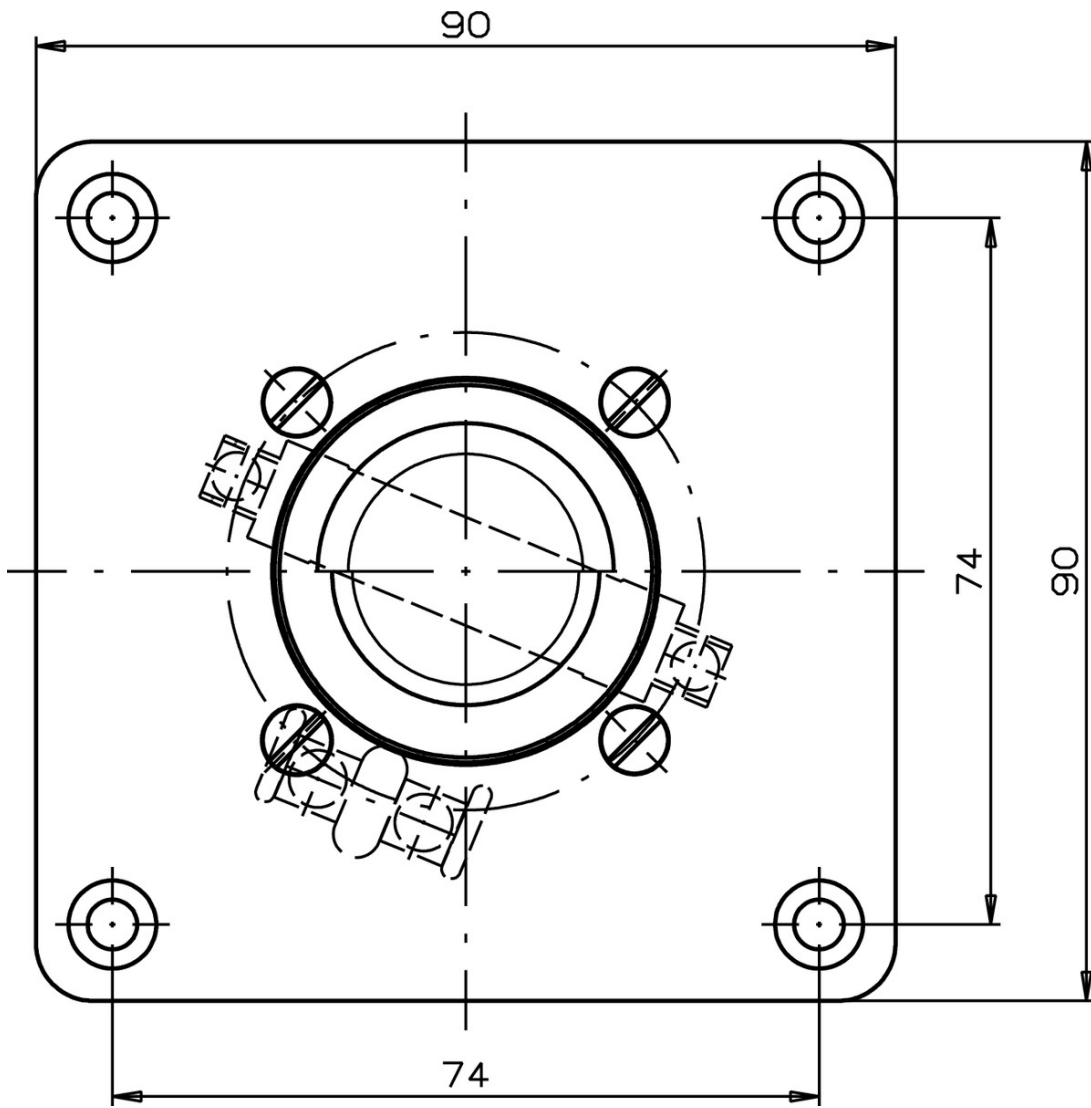
Interlocking

- [1] PAK arm
- [2] Snap-action contact element, design ES502V1
- [3] See drawing
- [4] 4 directions
- [5] Switch

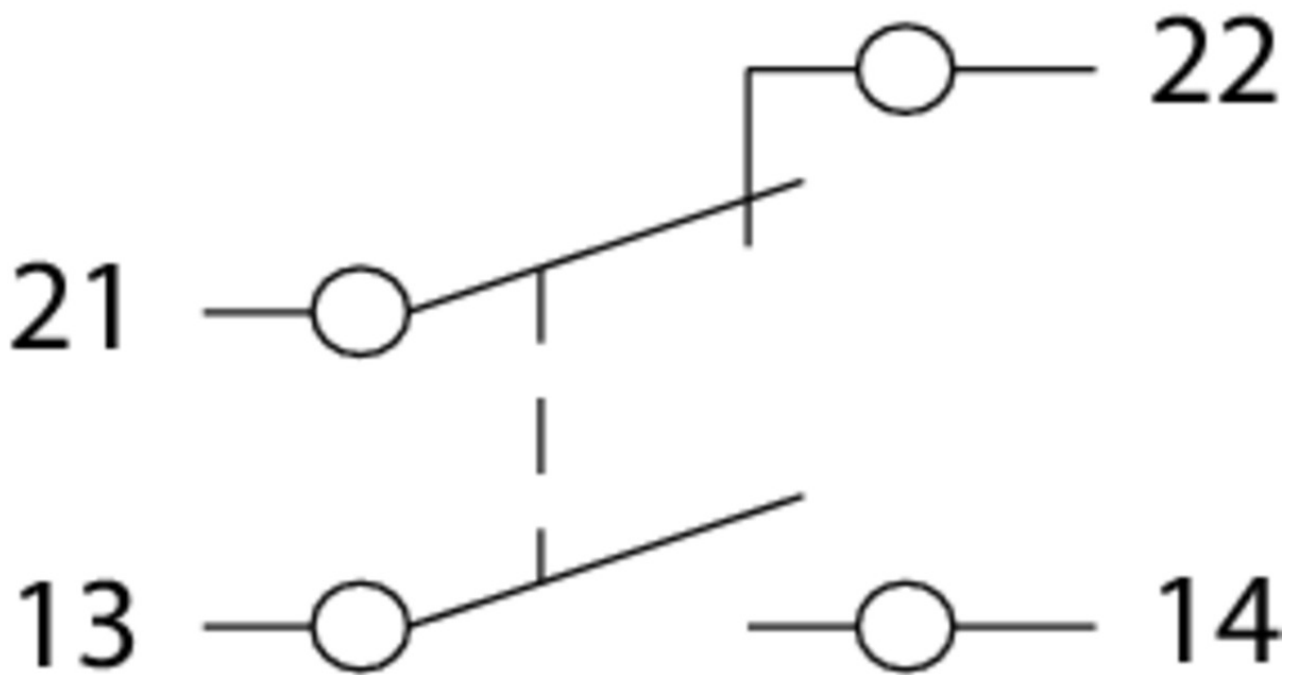
### Dimension drawing



**Dimension drawing**



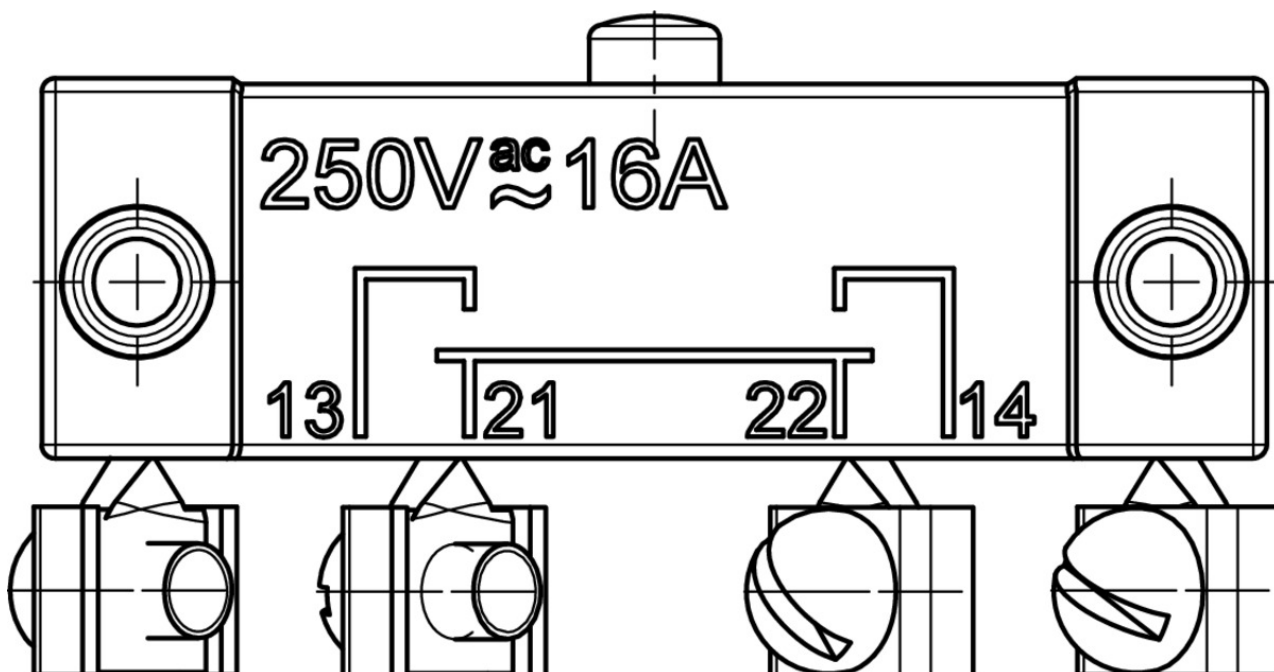
**Wiring diagram**



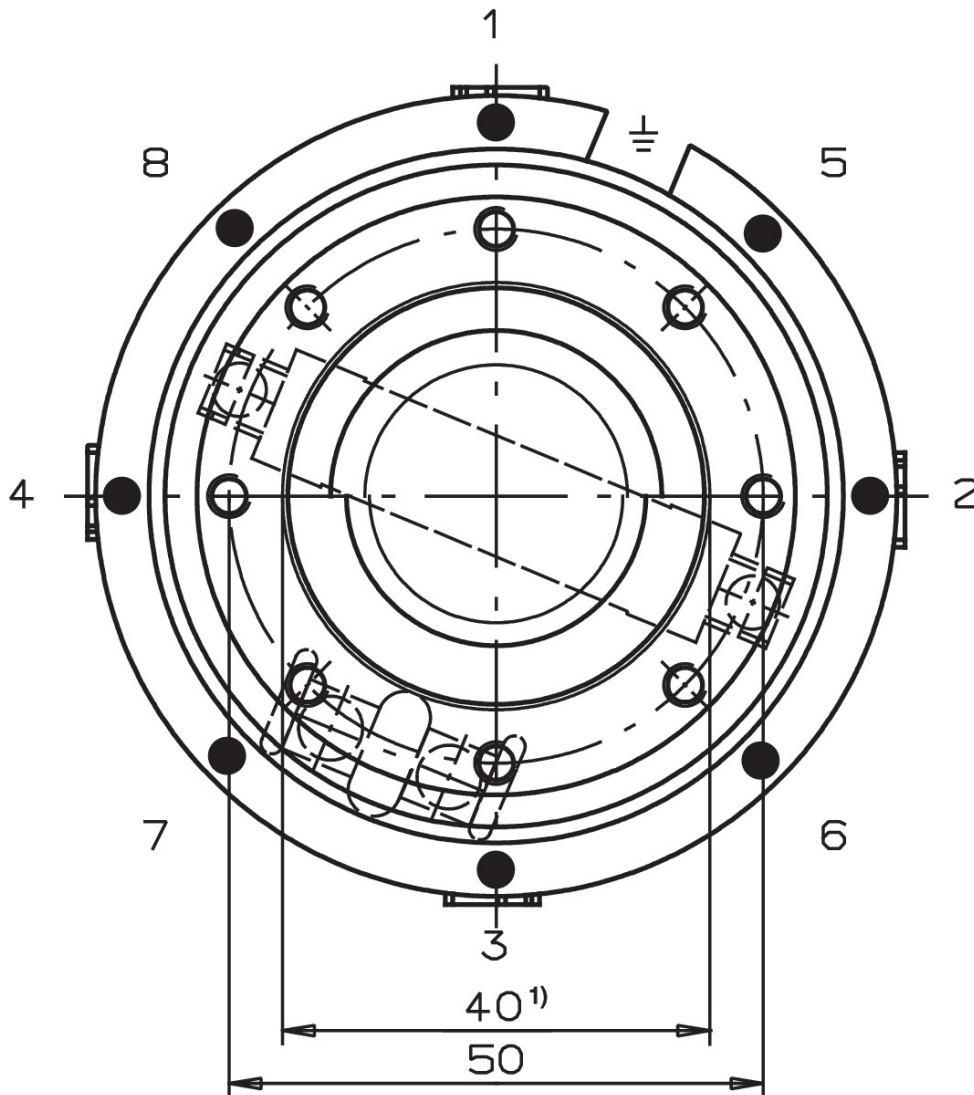
Pushbutton D



Switching element



## Switching functions



## Catalogs






Einhebel-Befehlsgeräte Joystick Switches Manipulateurs Manipuladores

	Doc. no.	Version	Language	Download
Einhebel-Befehlsgeräte	076614	13-06/16		1.2 MB
Manipulateurs	111527	13-06/16		1.2 MB
Manipuladores	111528	13-06/16		1.2 MB
Joystick Switches	076654	13-06/16		1.2 MB

## Declaration of conformity

EU-Konformitätserklärung

Doc. no.	Version	Language	Download
----------	---------	----------	----------

EU-Konformitätserklärung	2108566	05-03/17		 0.2 MB
Declaración UE de conformidad				
Déclaration UE de conformité				
Dichiarazione di conformità				
EU declaration of conformity			