

ITEM 018667 WES1234DFW

Description	Technical data	Accessories	Downloads
-------------	----------------	-------------	-----------



Features

- › Front panel installation at rear or with front plate
- › Switch with actuating directions 1-4
- › One changeover contact with screw terminal for each actuating direction
- › Front panel
- › Pushbutton in handle
- › Bellows

Approvals



Mechanical values and environment

Material	
	Housing thermoplastic/aluminum
	Switching lever galvanized steel

	Bellows elastomer black [1]
Weight	
Net	0,65 kg
Ambient temperature	-25 ... 65 °C
Degree of protection	IP65 on the front with bellows
Mechanical life	min.1 x 10 ⁶
Contact material	Silver alloy
Switching principle	Changeover contact ZA IEC 947-5-1 [2]
Mounting method	1x hole 42 and 8x 4.5 for M4 [3]
Number of monitoring contacts	4 [4]
Connection	Screw terminal
Actuating directions	4 [5]
	Pushbutton in handle
Switching principle	1 contact
Actuating force	max.8 N
Insertion depth	3 mm
Mechanical life	
(at 0.7A / 250V AC)	0,05 x 10 ⁶

Electrical connection ratings

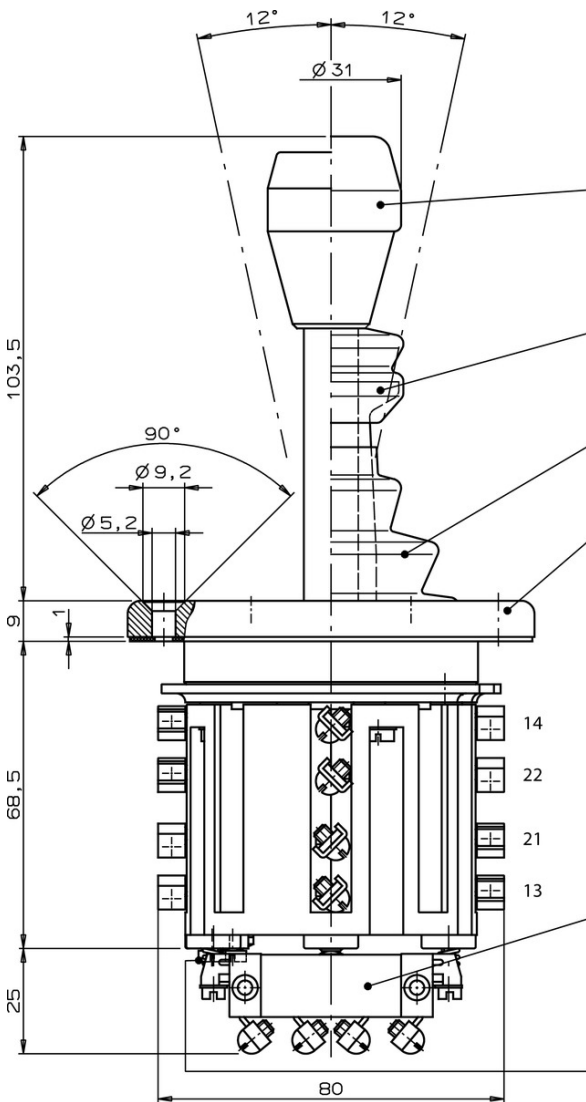
Utilization category according to EN 60947-5-1	
AC-15	230V 10A
DC-13	24V 4A
Short circuit protection according to IEC 60269-1	T16 / F25
Rated insulation voltage U _i	250 V
Rated impulse withstand voltage U _{imp}	2,5 kV
Switching voltage	min.24 V
Switching current	
(at 24V)	min.50 mA
	Pushbutton in handle
Switching voltage	min.10 V
Switching current	
(at 24V)	min.12 mA
Utilization category according to EN 60947-5-1	
AC-15	230V 2A
DC-13	24V 1A

Miscellaneous

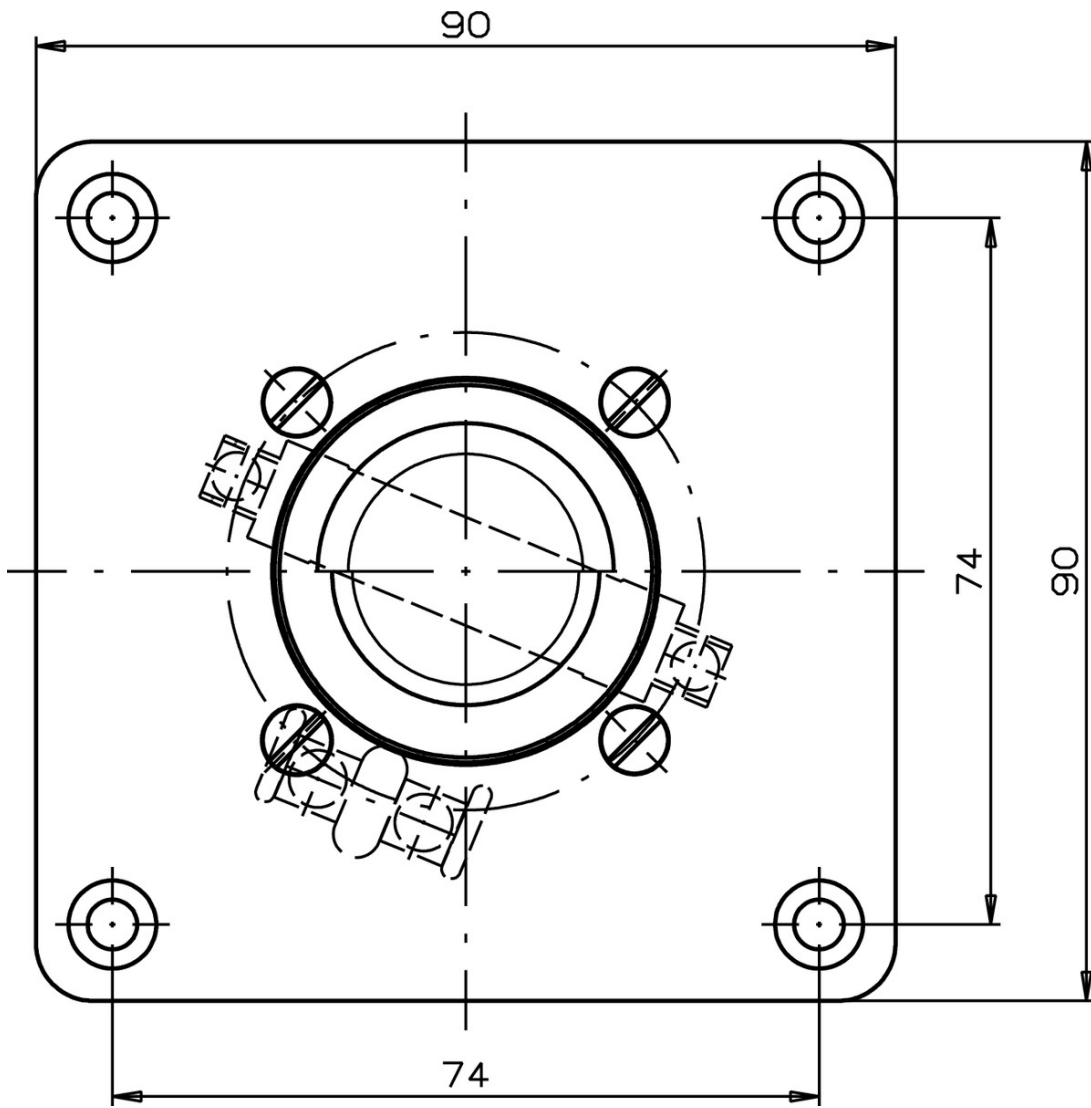
Additional feature	
	Bellows
	Front panel
	Pushbutton in handle

- [1] PAK arm
- [2] Snap-action contact element, design ES502V1
- [3] See drawing
- [4] 4 directions
- [5] Switch

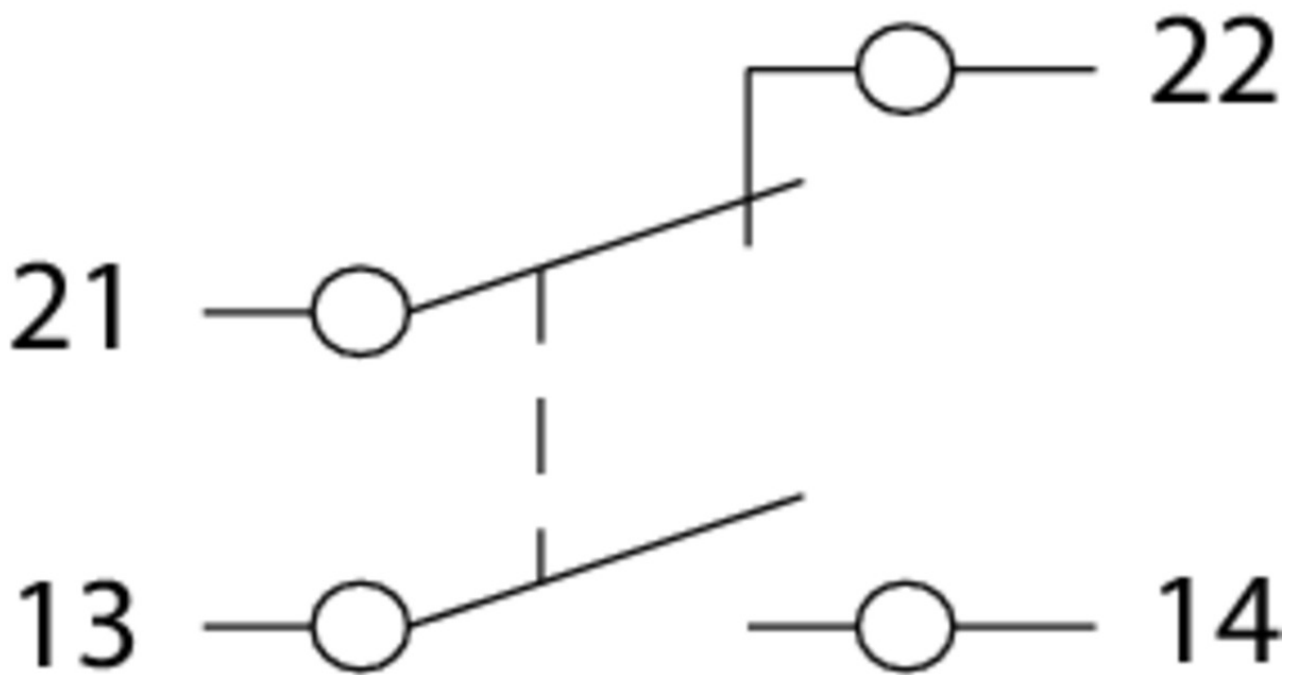
Dimension drawing



Dimension drawing



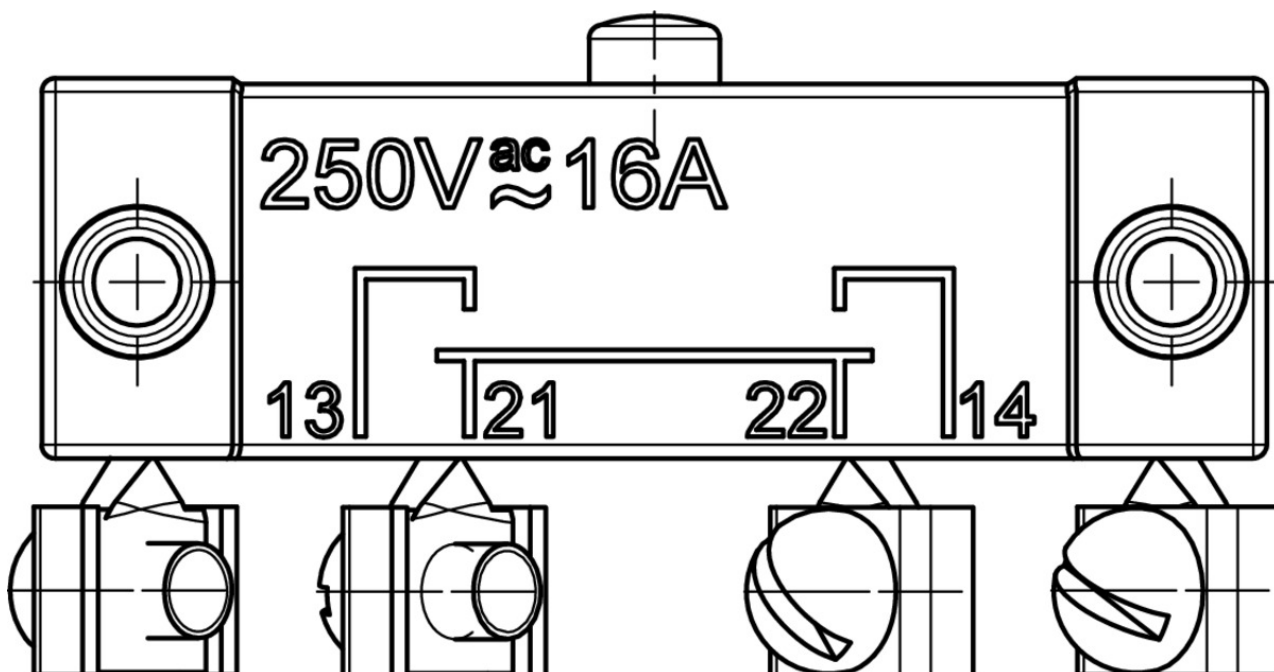
Wiring diagram



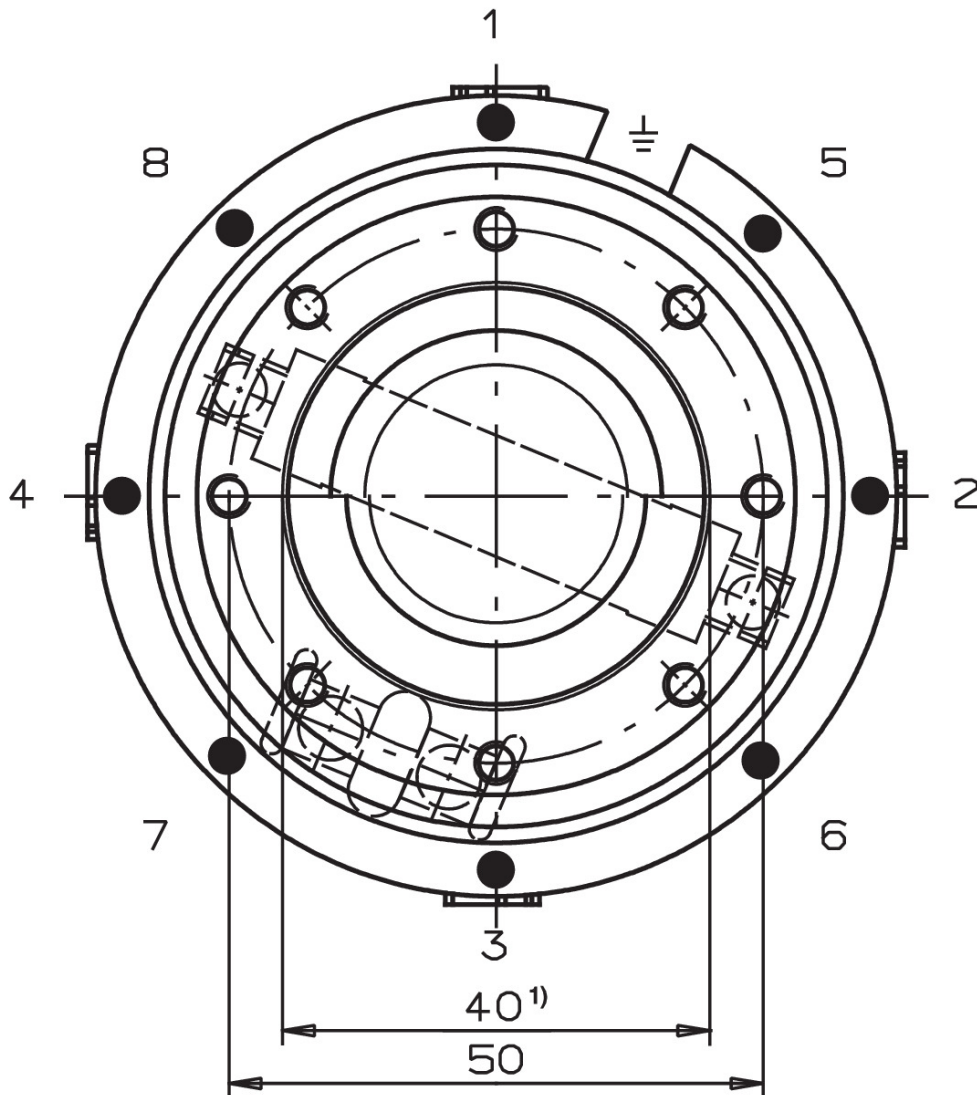
Pushbutton D



Switching element



Switching functions



Catalogs







Einhebel-Befehlsgeräte Joystick Switches Manipulateurs Manipuladores

	Doc. no.	Version	Language	Download
Einhebel-Befehlsgeräte	076614	13-06/16		1.2 MB
Manipulateurs	111527	13-06/16		1.2 MB
Manipuladores	111528	13-06/16		1.2 MB
Joystick Switches	076654	13-06/16		1.2 MB

Declaration of conformity

EU-Konformitätserklärung

Doc. no.	Version	Language	Download
----------	---------	----------	----------

EU-Konformitätserklärung	2108566	05-03/17		 0.2 MB
Declaración UE de conformidad				
Déclaration UE de conformité				
Dichiarazione di conformità				
EU declaration of conformity				

CAD data

CAD data for this item on TraceParts