

ITEM 045350 WES13W

Description	Technical data	Accessories	Downloads
-------------	----------------	-------------	-----------



Features

- › Front panel installation at rear or with front plate
- › Switch with actuating directions 1+3
- › One changeover contact with screw terminal for each actuating direction
- › Bellows

Approvals



Mechanical values and environment

Material	
	Housing thermoplastic/aluminum
	Switching lever galvanized steel
	Bellows elastomer black [1]

Weight		
	Net	0,65 kg
Ambient temperature		-25 ... 65 °C
Degree of protection		IP65 on the front with bellows
Mechanical life		min.1 x 10 ⁶
Contact material		Silver alloy
Switching principle		Changeover contact ZA IEC 947-5-1 [2]
Mounting method		1x hole 42 and 8x 4.5 for M4 [3]
Number of monitoring contacts		2 [4]
Connection		Screw terminal
Actuating directions		2 [5]

Electrical connection ratings

Utilization category according to EN 60947-5-1		
	AC-15	230V 10A
	DC-13	24V 4A
Short circuit protection according to IEC 60269-1		T16 / F25
Rated insulation voltage U _i		250 V
Rated impulse withstand voltage U _{imp}		2,5 kV
Switching voltage		min.24 V
Switching current		
	(at 24V)	min.50 mA

Miscellaneous

Additional feature	Bellows
--------------------	---------

[1] PAK arm

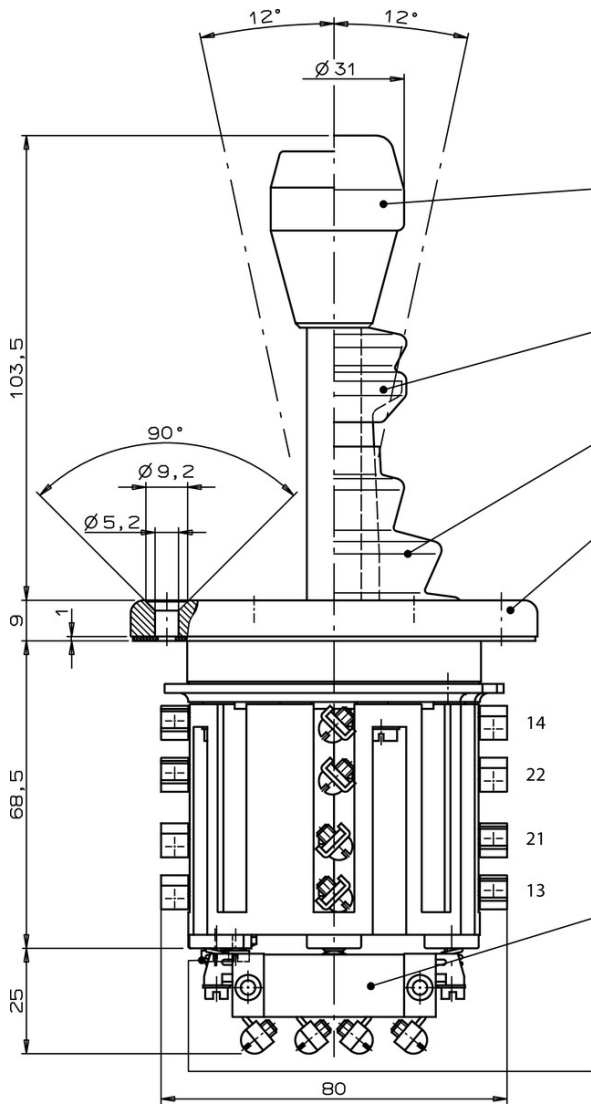
[2] Snap-action contact element, design ES502V1

[3] See drawing

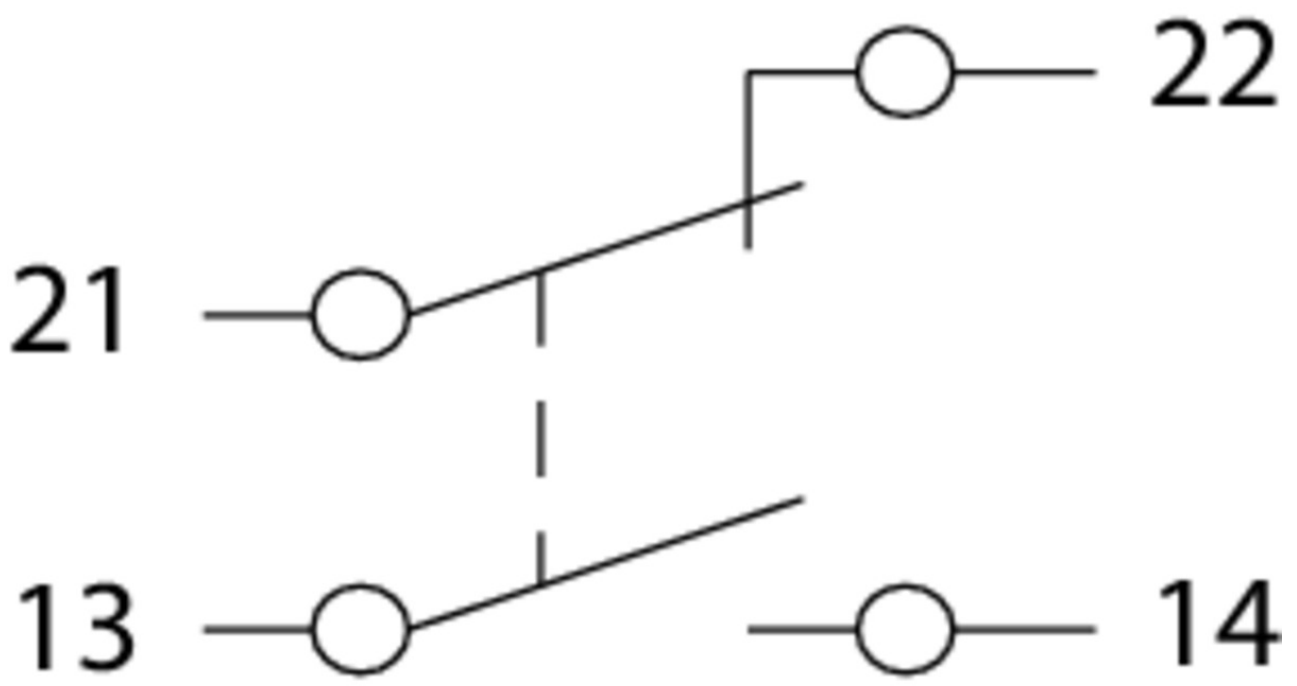
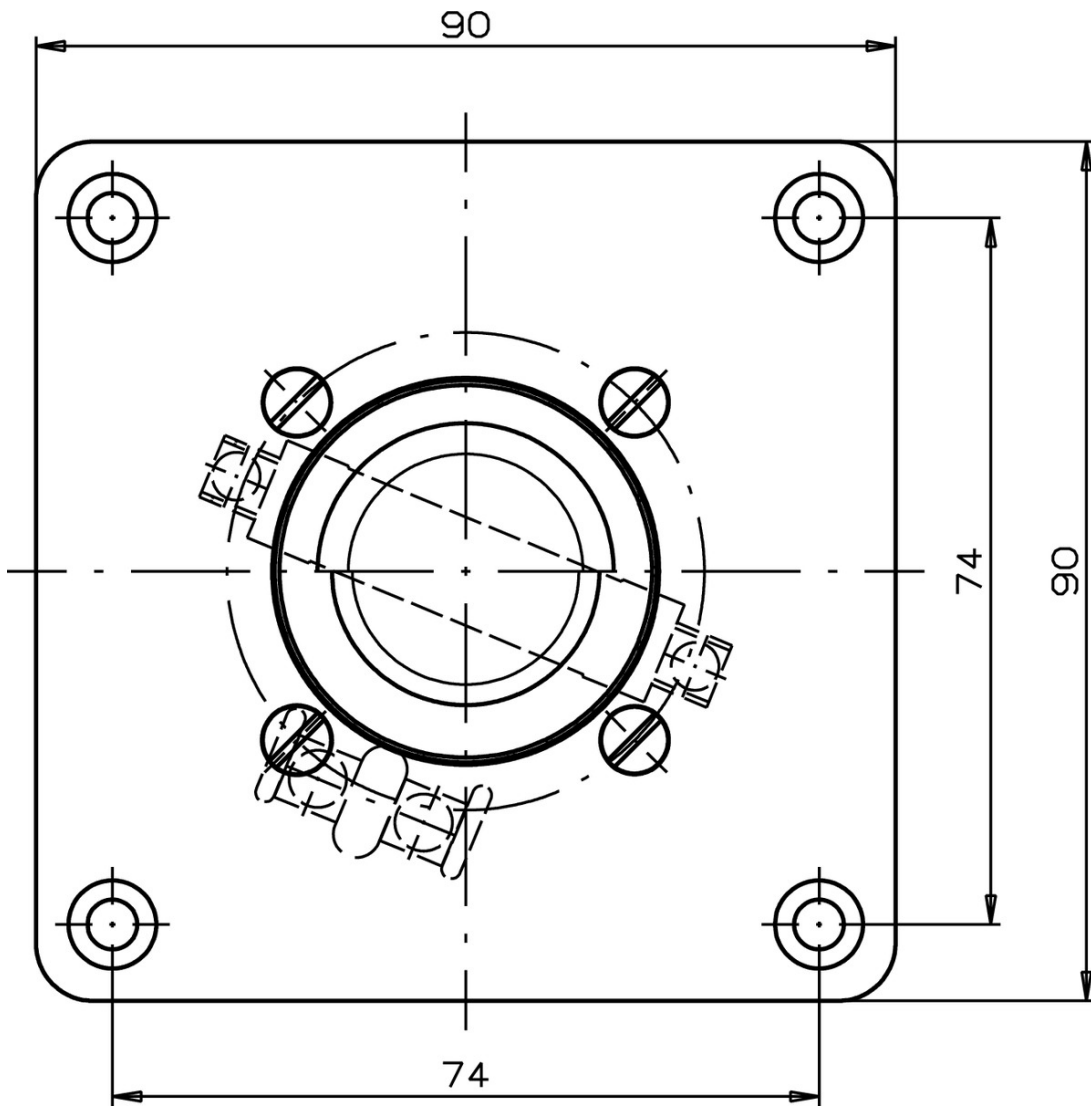
[4] 2 directions

[5] Switch

Dimension drawing



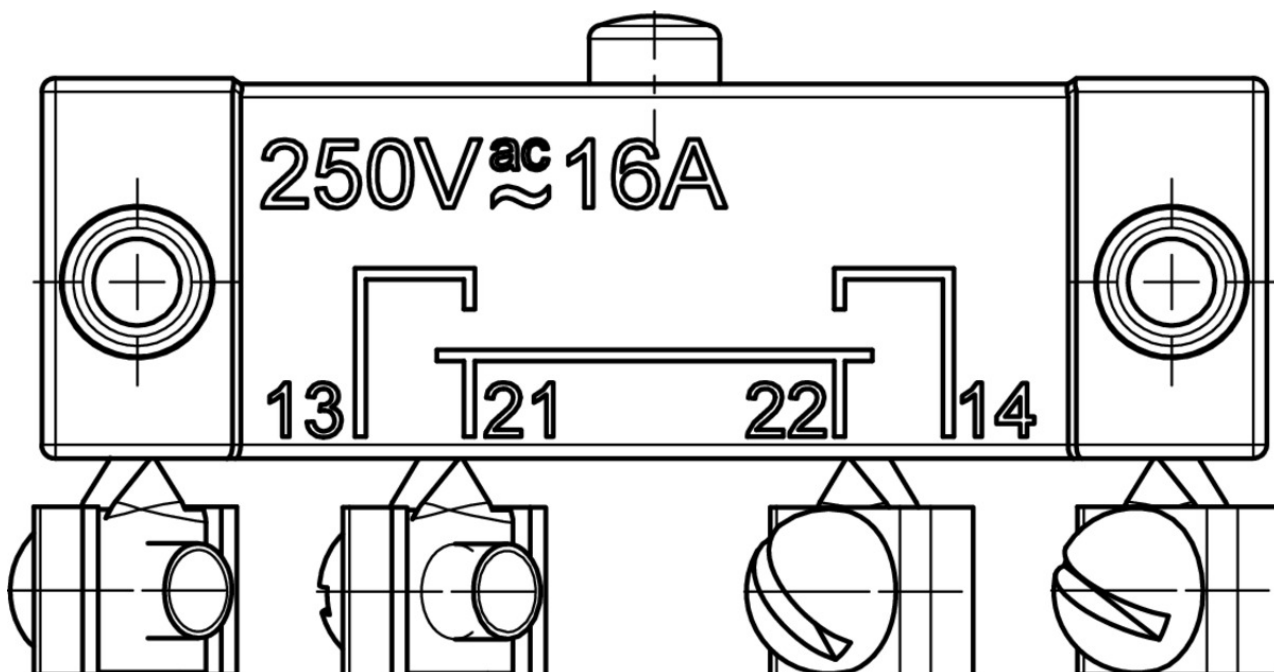
Dimension drawing



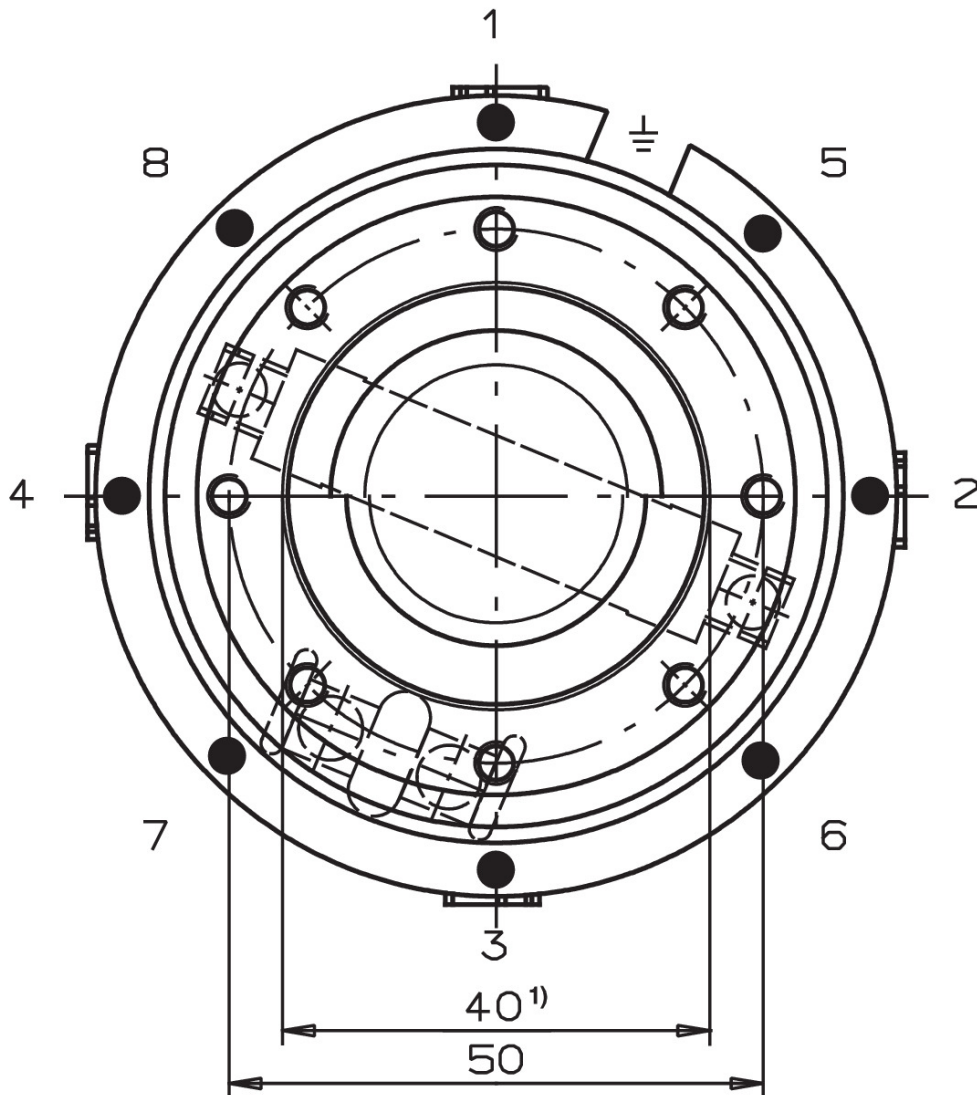
Pushbutton D



Switching element



Switching functions



Catalogs







Einhebel-Befehlsgeräte Joystick Switches Manipulateurs Manipuladores

	Doc. no.	Version	Language	Download
Einhebel-Befehlsgeräte	076614	13-06/16		1.2 MB
Manipulateurs	111527	13-06/16		1.2 MB
Manipuladores	111528	13-06/16		1.2 MB
Joystick Switches	076654	13-06/16		1.2 MB

Declaration of conformity

EU-Konformitätserklärung

Doc. no.	Version	Language	Download
----------	---------	----------	----------

EU-Konformitätserklärung	2108566	05-03/17		 0.2 MB
Declaración UE de conformidad				
Déclaration UE de conformité				
Dichiarazione di conformità				
EU declaration of conformity				

CAD data

CAD data for this item on TraceParts