

**ITEM 072838 WES1234DVWZ**

Description	Technical data	Accessories	Downloads
-------------	----------------	-------------	-----------



**Features**

- › Front panel installation at rear or with front plate
- › Switch with actuating directions 1-4
- › One changeover contact with screw terminal for each actuating direction
- › Locking in central position
- › Pushbutton in handle
- › Bellows
- › Center position switch

**Approvals**



**Mechanical values and environment**

Material	Housing thermoplastic/aluminum
----------	--------------------------------

	Switching lever galvanized steel
	Bellows elastomer black <sup>[1]</sup>
Weight	
	Net 0,65 kg
Ambient temperature	-25 ... 65 °C
Degree of protection	IP65 on the front with bellows
Mechanical life	min.1 x 10 <sup>6</sup>
Contact material	Silver alloy
Switching principle	Changeover contact ZA IEC 947-5-1 <sup>[2]</sup>
Center-position switch	1 changeover contact <sup>[3]</sup>
Mounting method	1x hole 42 and 8x 4.5 for M4 <sup>[4]</sup>
Number of monitoring contacts	4 + 1 <sup>[5]</sup>
Connection	Screw terminal
Actuating directions	4 <sup>[6]</sup>
	<b>Pushbutton in handle</b>
Switching principle	1 contact
Actuating force	max.8 N
Insertion depth	3 mm
Mechanical life	
	(at 0.7A / 250V AC) 0,05 x 10 <sup>6</sup>

### Electrical connection ratings

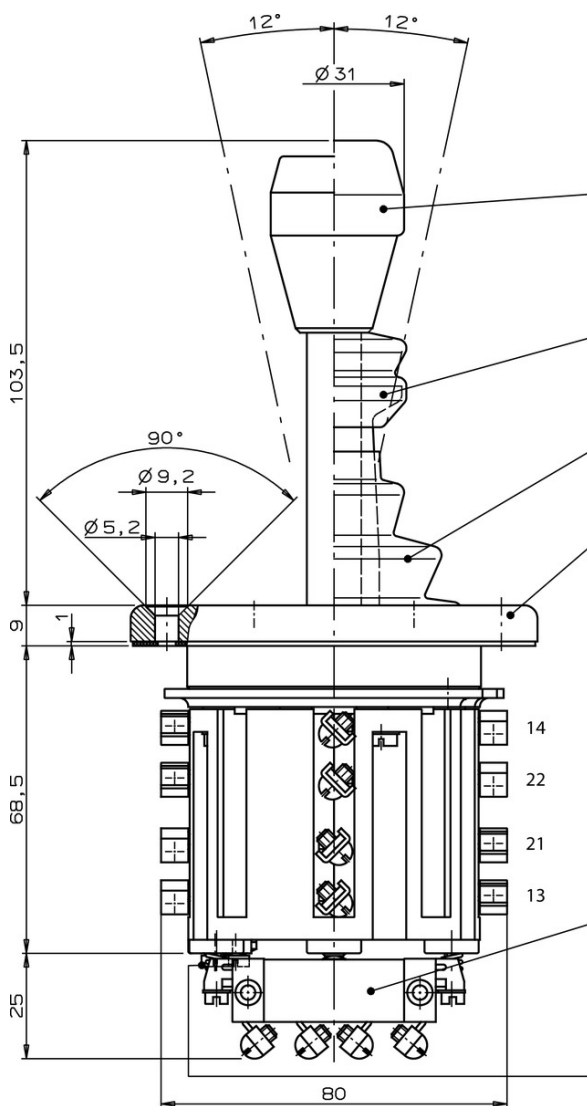
Utilization category according to EN 60947-5-1	
	AC-15 230V 10A
	DC-13 24V 4A
Short circuit protection according to IEC 60269-1	T16 / F25
Rated insulation voltage U <sub>i</sub>	250 V
Rated impulse withstand voltage U <sub>imp</sub>	2,5 kV
Switching voltage	min.24 V
Switching current	
	(at 24V) min.50 mA
	<b>Pushbutton in handle</b>
Switching voltage	min.10 V
Switching current	
	(at 24V) min.12 mA
Utilization category according to EN 60947-5-1	
	AC-15 230V 2A
	DC-13 24V 1A

## Miscellaneous

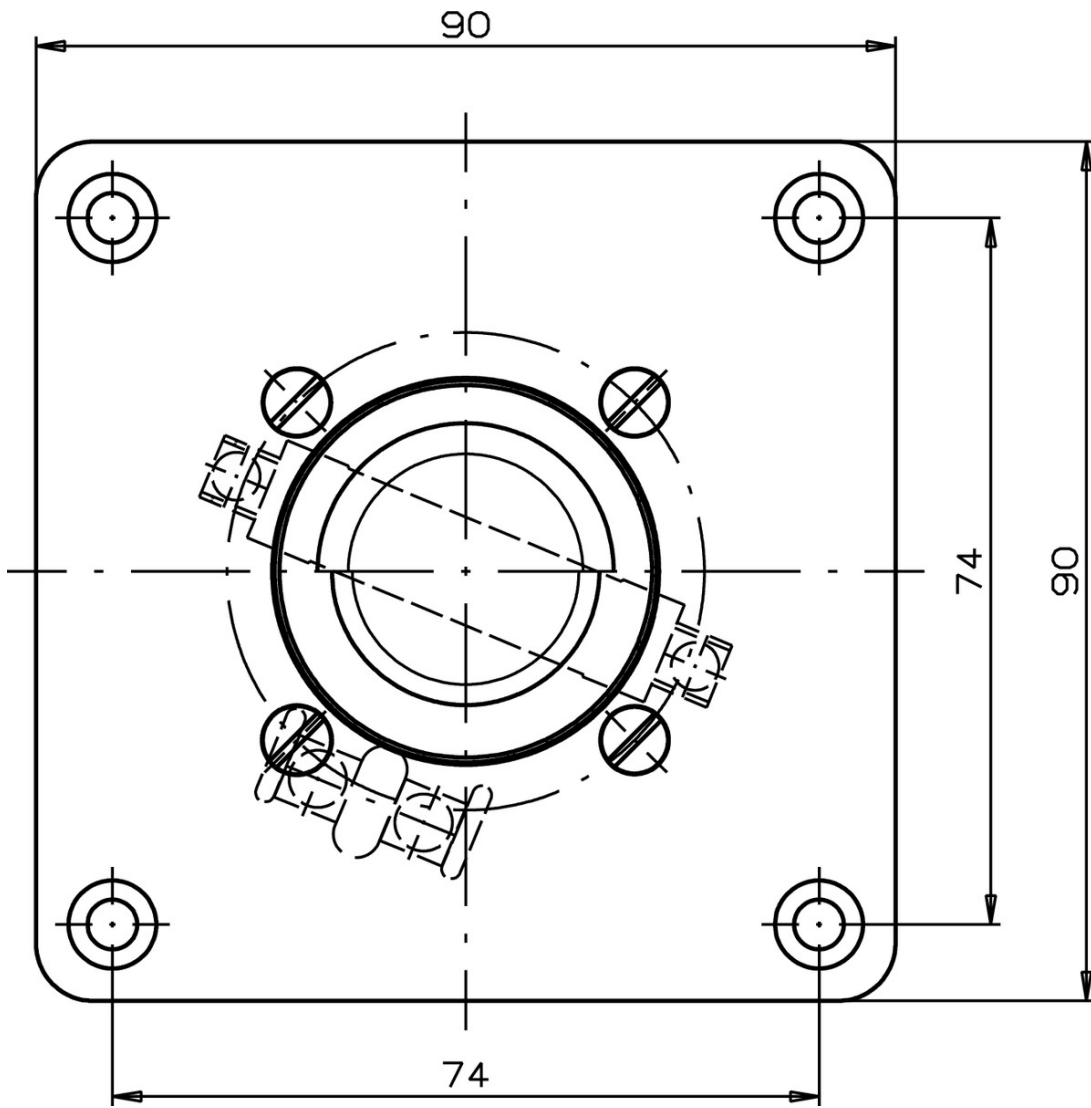
Additional feature	
	Pushbutton in handle
	Bellows
	Interlocking

- [1] PAK arm
- [2] Snap-action contact element, design ES502V1
- [3] In neutral position (not actuated) NO contact closed, NC contact open
- [4] See drawing
- [5] 4 directions and Z contact
- [6] Switch

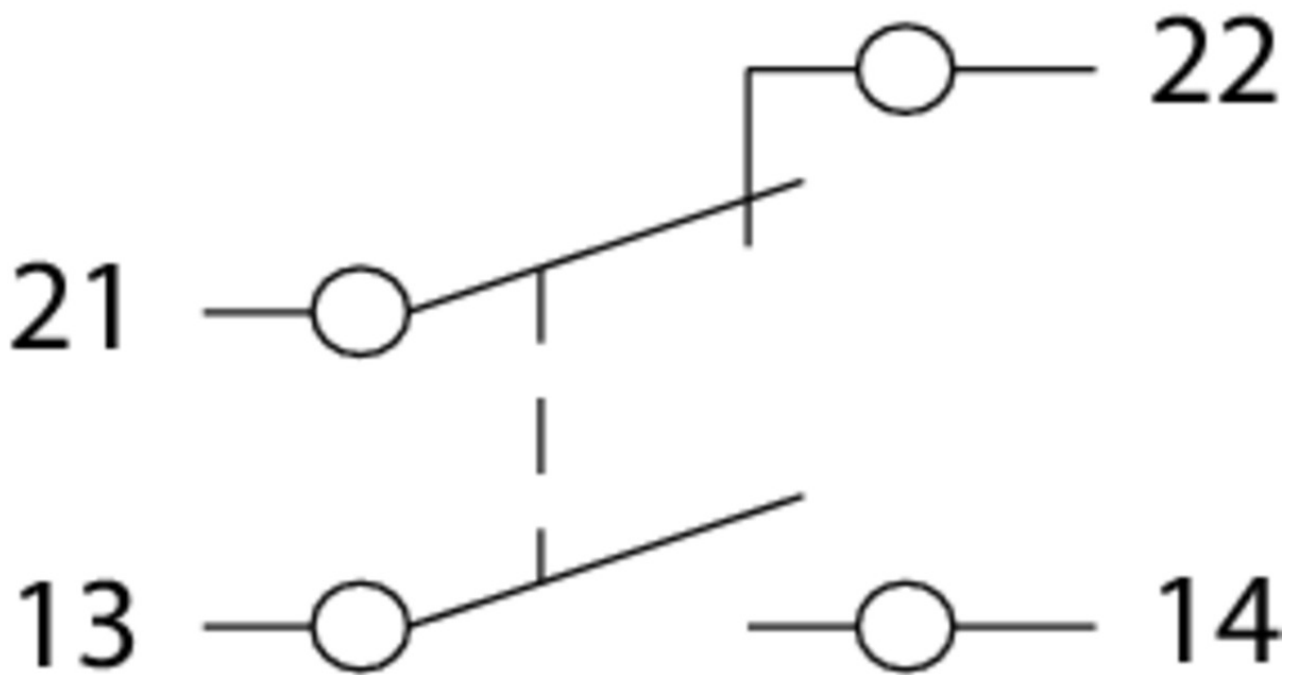
## Dimension drawing



**Dimension drawing**



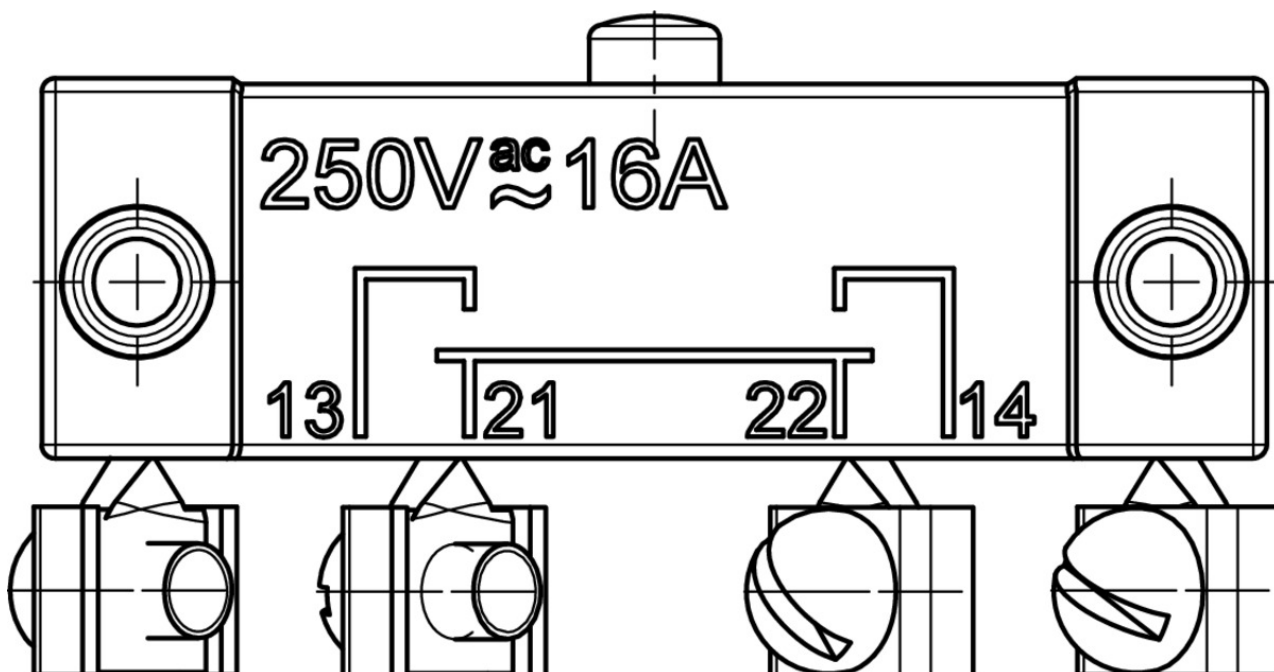
**Wiring diagram**



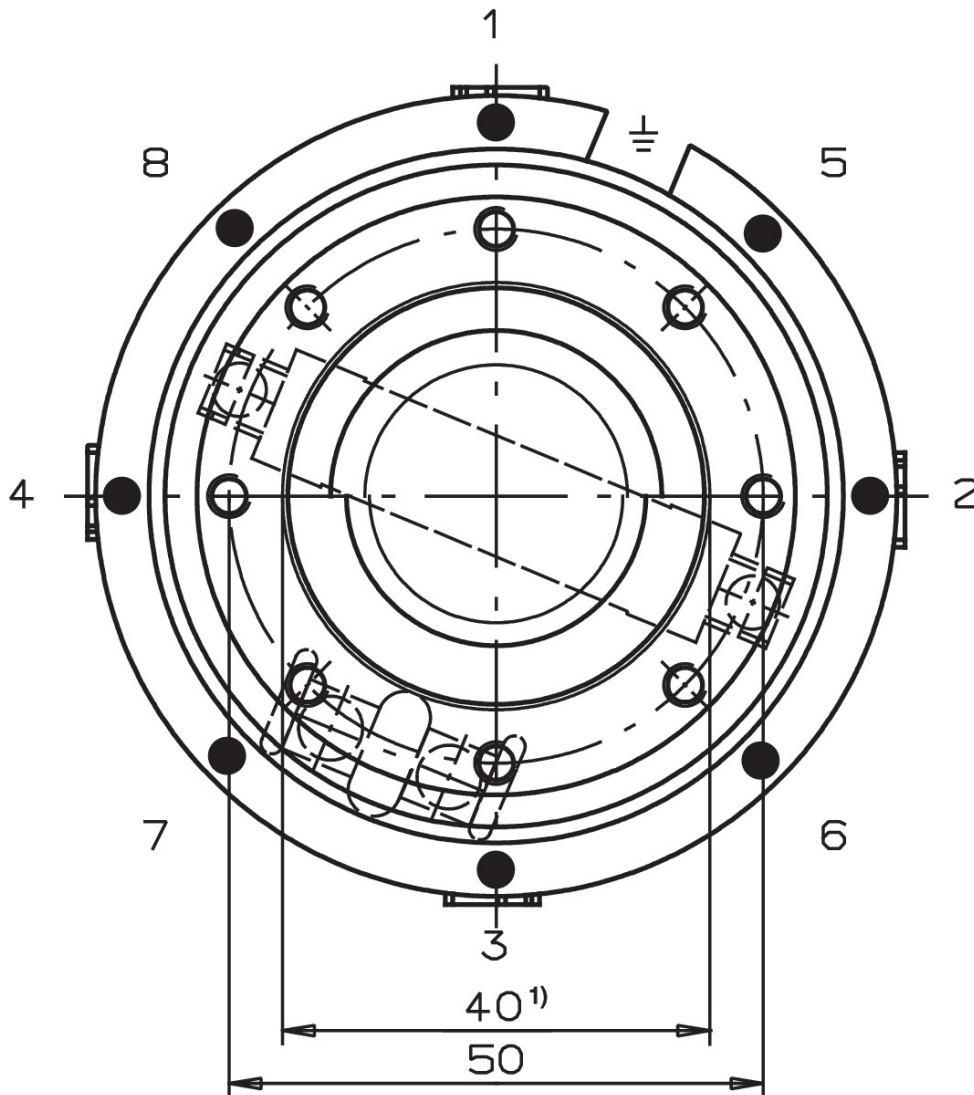
Pushbutton D



Switching element



## Switching functions



## Catalogs






Einhebel-Befehlsgeräte Joystick Switches Manipulateurs Manipuladores

	Doc. no.	Version	Language	Download
Einhebel-Befehlsgeräte	076614	13-06/16		1.2 MB
Manipulateurs	111527	13-06/16		1.2 MB
Manipuladores	111528	13-06/16		1.2 MB
Joystick Switches	076654	13-06/16		1.2 MB

## Declaration of conformity

EU-Konformitätserklärung

Doc. no.	Version	Language	Download
----------	---------	----------	----------

EU-Konformitätserklärung	2108566	05-03/17		 0.2 MB
Declaración UE de conformidad				
Déclaration UE de conformité				
Dichiarazione di conformità				
EU declaration of conformity			