

**ITEM 030724 KFT1234Z**

Description	Technical data	Accessories	Downloads
-------------	----------------	-------------	-----------



**Features**

- › Front panel installation at rear
- › 1 to 8 actuating directions, 4 switching elements. Stayput switch, spring return switch or combined
- › One changeover contact with screw terminal for each actuating direction
- › Center position switch

**Approvals**



**Mechanical values and environment**

Material	
	Housing thermoplastic / duroplast
	Switching lever stainless steel
	Bellows elastomer black <b>[1]</b>

Weight		
	Net	0,2 kg
Ambient temperature		-25 ... 65 °C
Degree of protection		IP65 on the front with bellows
Mechanical life		1 x 10 <sup>6</sup>
Contact material		Silver alloy
Switching principle		changeover contact C IEC 947-5-1 [2]
Center-position switch		1 changeover contact [3]
Mounting method		Control panel installation at rear bore 22.5 [4]
Number of monitoring contacts		4 + 1 [5]
Connection		Screw terminal
Actuating directions		4 [6]

### Electrical connection ratings

Utilization category according to EN 60947-5-1		
	AC-15	230V 5A
	DC-13	24V 3A
Short circuit protection according to IEC 60269-1		T10 / F20
Rated insulation voltage U <sub>i</sub>		250 V
Rated impulse withstand voltage U <sub>imp</sub>		2,5 kV
Switching voltage		min.12 V
Switching current		
	(at 24V)	min.10 mA

[1] PAK arm

[2] Snap-action contact element, design ES517A

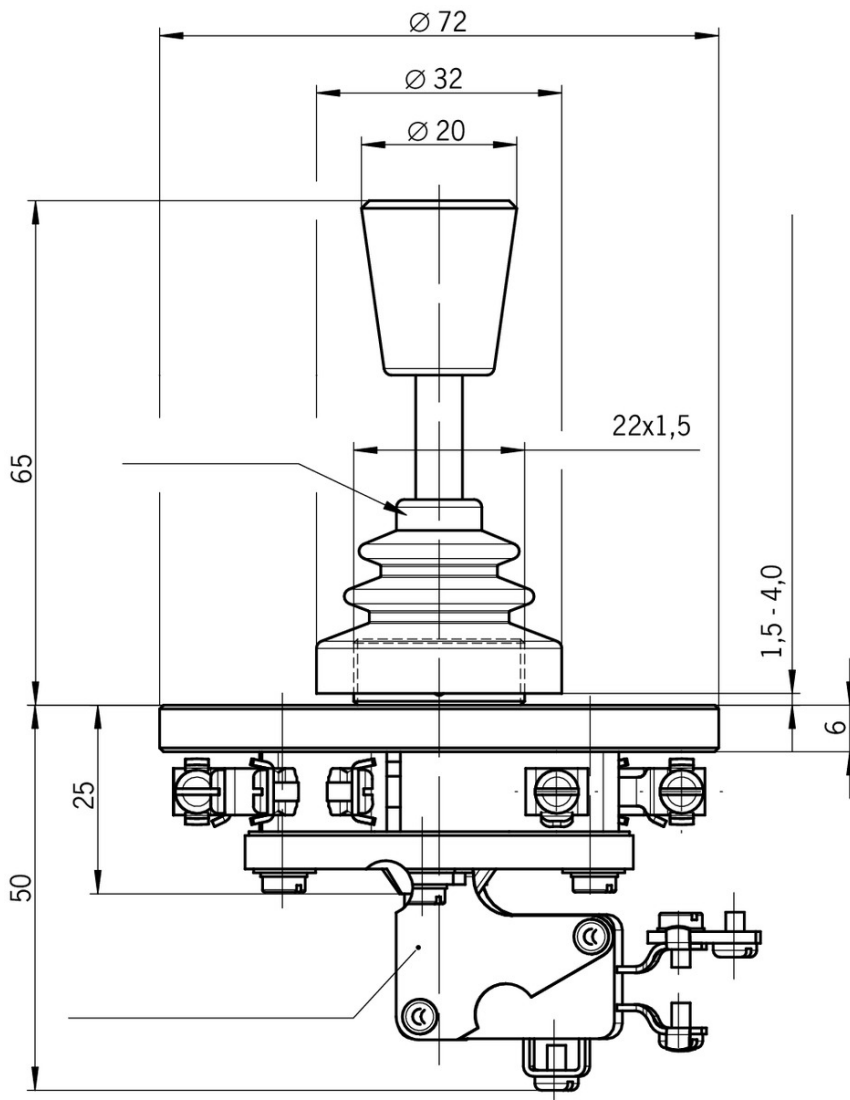
[3] In neutral position (not actuated) NO contact closed, NC contact open

[4] (Bore 22.5 with protection against twisting)

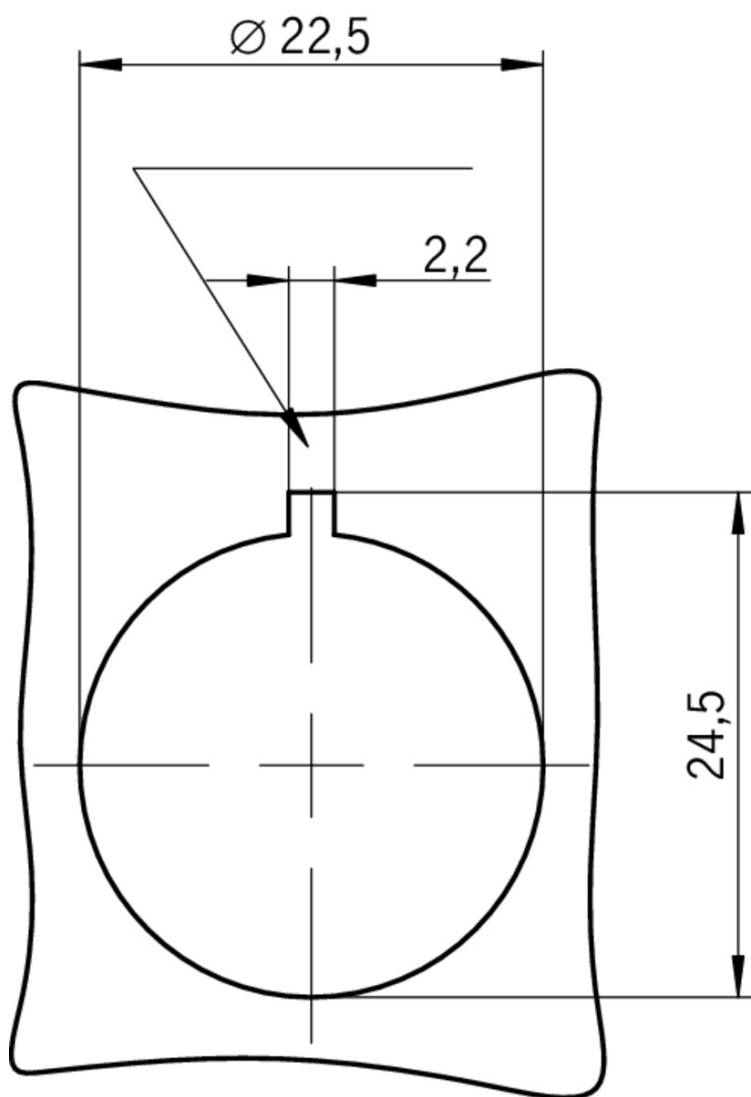
[5] 4 directions and Z contact

[6] Button

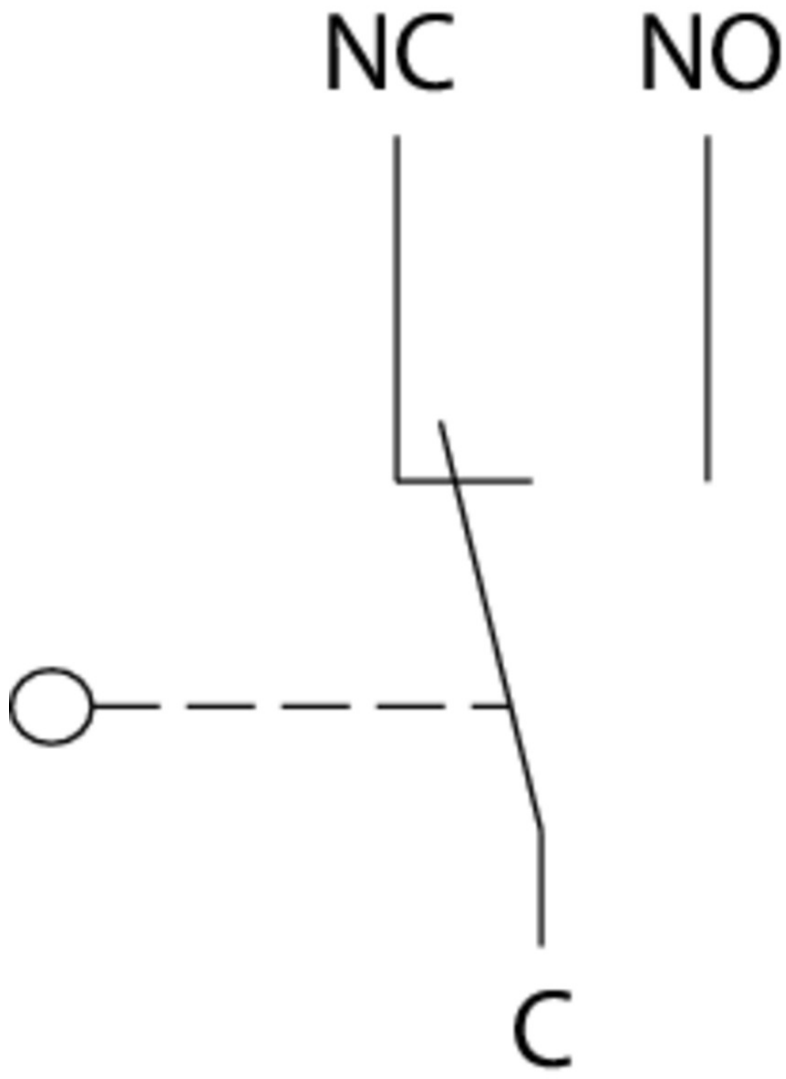
**Dimension drawing**



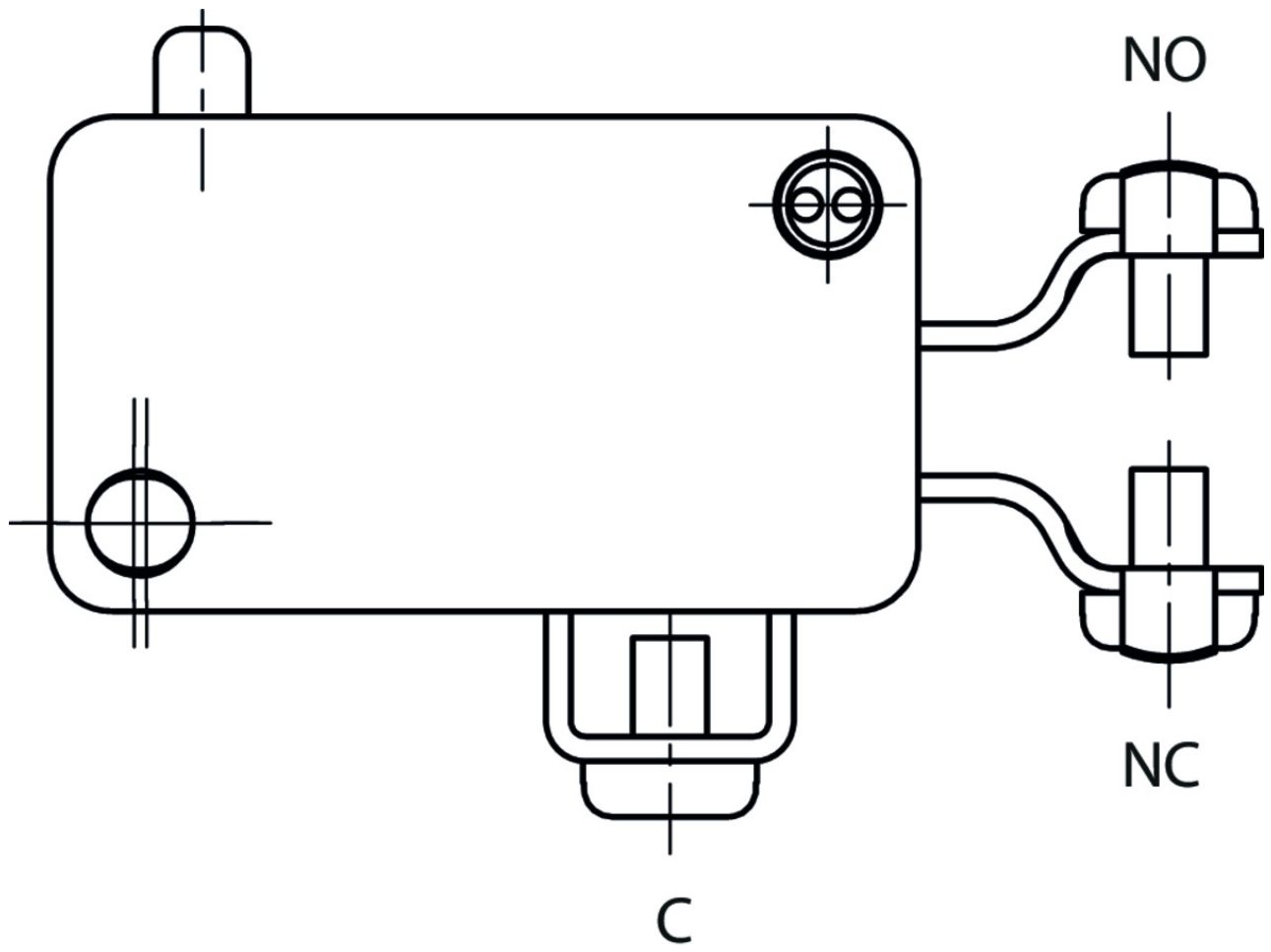
Dimension drawing



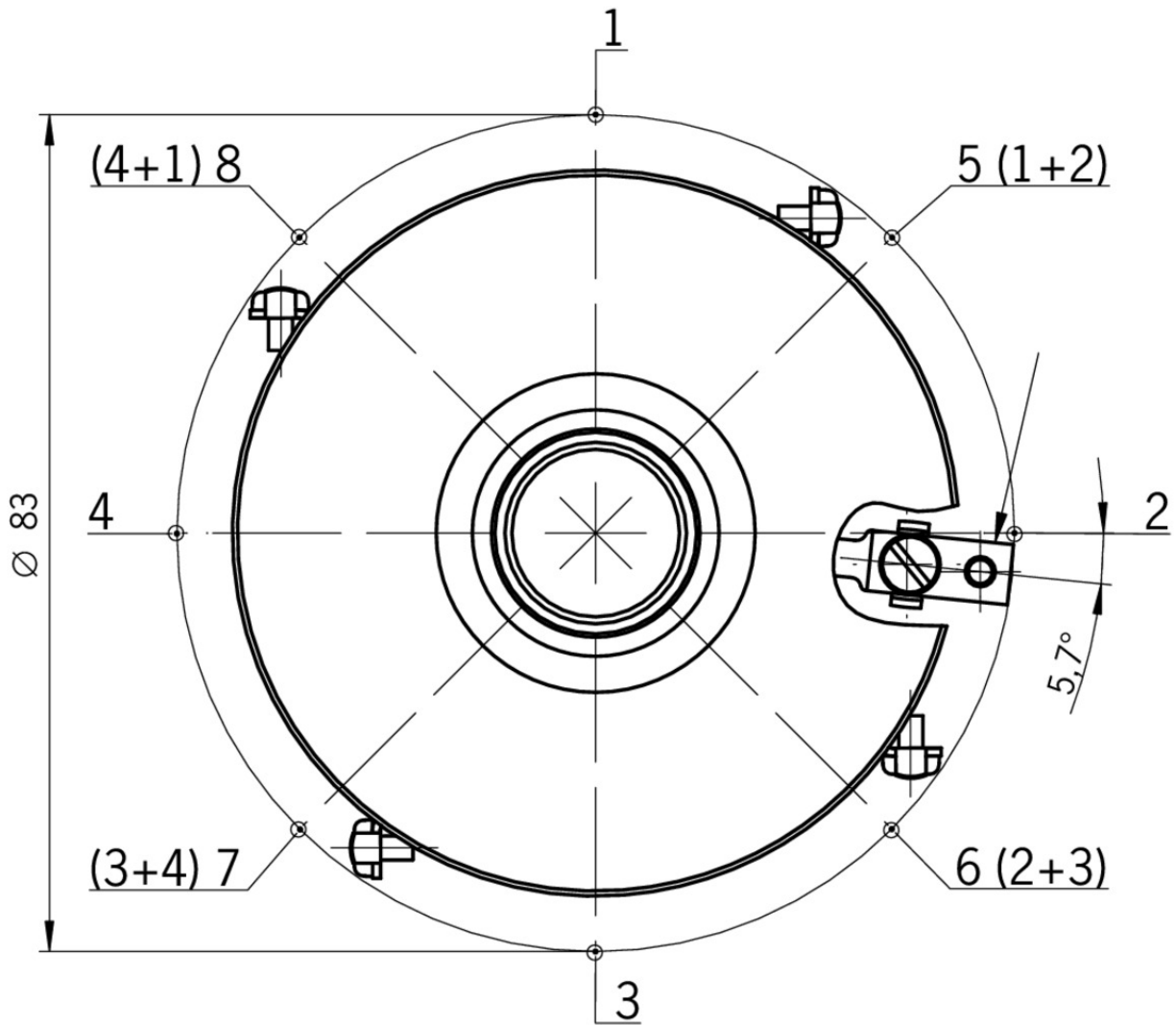
**Wiring diagram**



Circuit diagram\_KF



## Switching functions



## Catalogs







Einhebel-Befehlsgeräte Joystick Switches Manipulateurs Manipuladores

	Doc. no.	Version	Language	Download
Einhebel-Befehlsgeräte	076614	13-06/16		1.2 MB
Manipulateurs	111527	13-06/16		1.2 MB
Manipuladores	111528	13-06/16		1.2 MB
Joystick Switches	076654	13-06/16		1.2 MB

## Declaration of conformity

EU-Konformitätserklärung

Doc. no. Version Language Download

EU-Konformitätserklärung	2108566	05-03/17		 0.2 MB
Declaración UE de conformidad				
Déclaration UE de conformité				
Dichiarazione di conformità				
EU declaration of conformity				

### **CAD data**

CAD data for this item on TraceParts