

ITEM 030092 KFS2T13VZ

Description	Technical data	Accessories	Downloads
-------------	----------------	-------------	-----------



Features

- › Front panel installation at rear
- › 1 to 8 actuating directions, 4 switching elements. Stayput switch, spring return switch or combined
- › One changeover contact with screw terminal for each actuating direction
- › Center position switch

Approvals



Mechanical values and environment

Material	
	Housing thermoplastic / duroplast
	Switching lever stainless steel
	Bellows elastomer black [1]

Weight		
	Net	0,2 kg
Ambient temperature		-25 ... 65 °C
Degree of protection		IP65 on the front with bellows
Mechanical life		1 x 10 ⁶
Contact material		Silver alloy
Switching principle		changeover contact C IEC 947-5-1 [2]
Center-position switch		1 changeover contact [3]
Mounting method		Control panel installation at rear bore 22.5 [4]
Number of monitoring contacts		3 + 1 [5]
Connection		Screw terminal
Actuating directions		3 [6]

Electrical connection ratings

Utilization category according to EN 60947-5-1		
	AC-15	230V 5A
	DC-13	24V 3A
Short circuit protection according to IEC 60269-1		T10 / F20
Rated insulation voltage U _i		250 V
Rated impulse withstand voltage U _{imp}		2,5 kV
Switching voltage		min.12 V
Switching current		
	(at 24V)	min.10 mA

Miscellaneous

Additional feature	Locking in center position
--------------------	----------------------------

[1] PAK arm

[2] Snap-action contact element, design ES517A

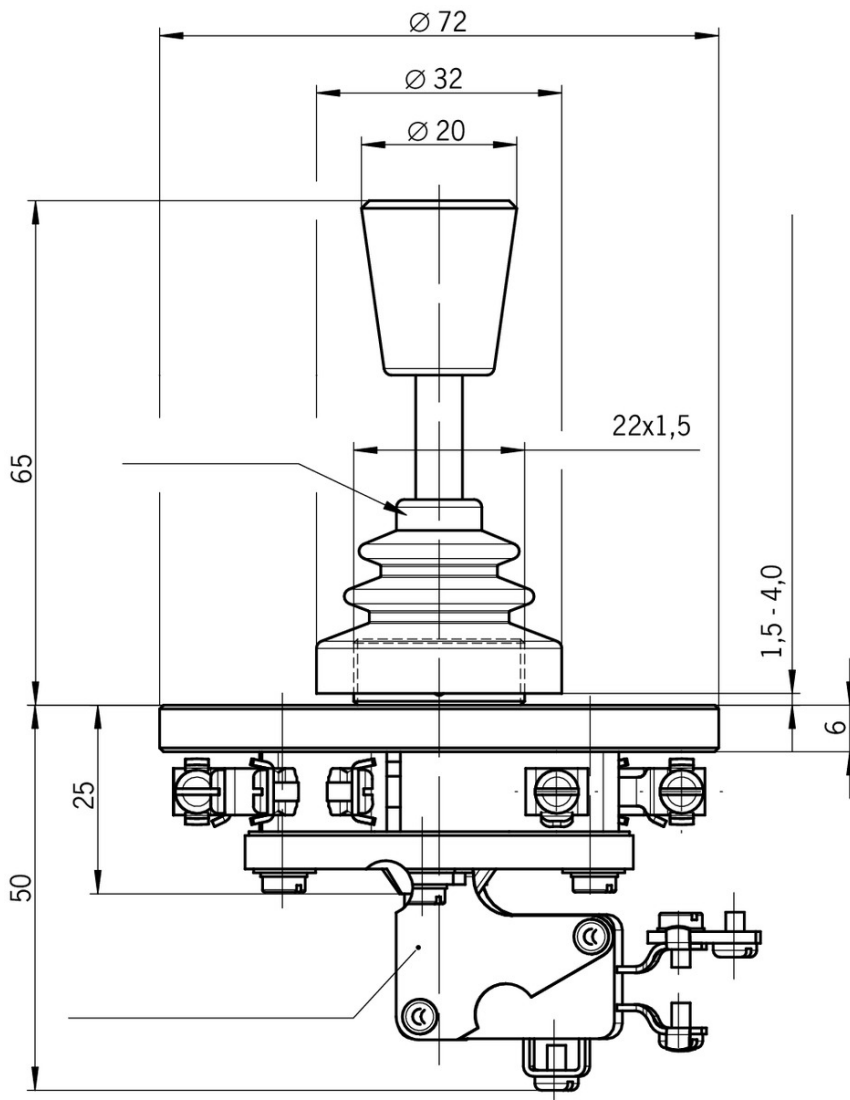
[3] In neutral position (not actuated) NO contact closed, NC contact open

[4] (Bore 22.5 with protection against twisting)

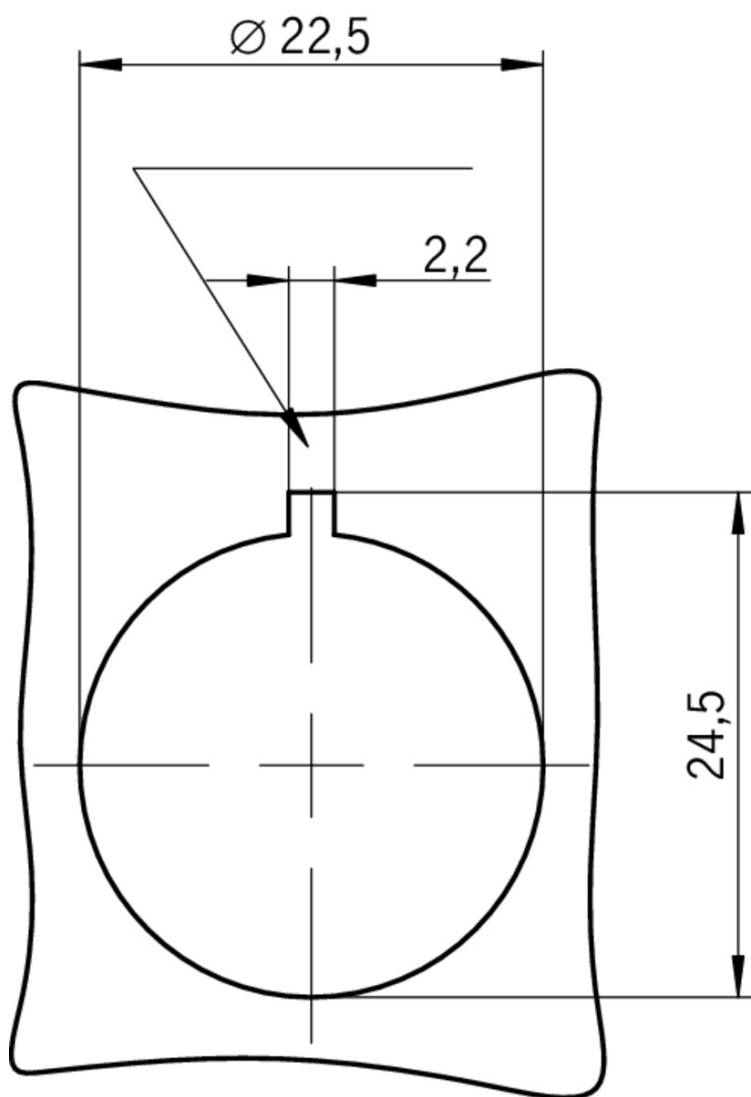
[5] 3 directions and Z contact

[6] 1 switch / 2 push buttons

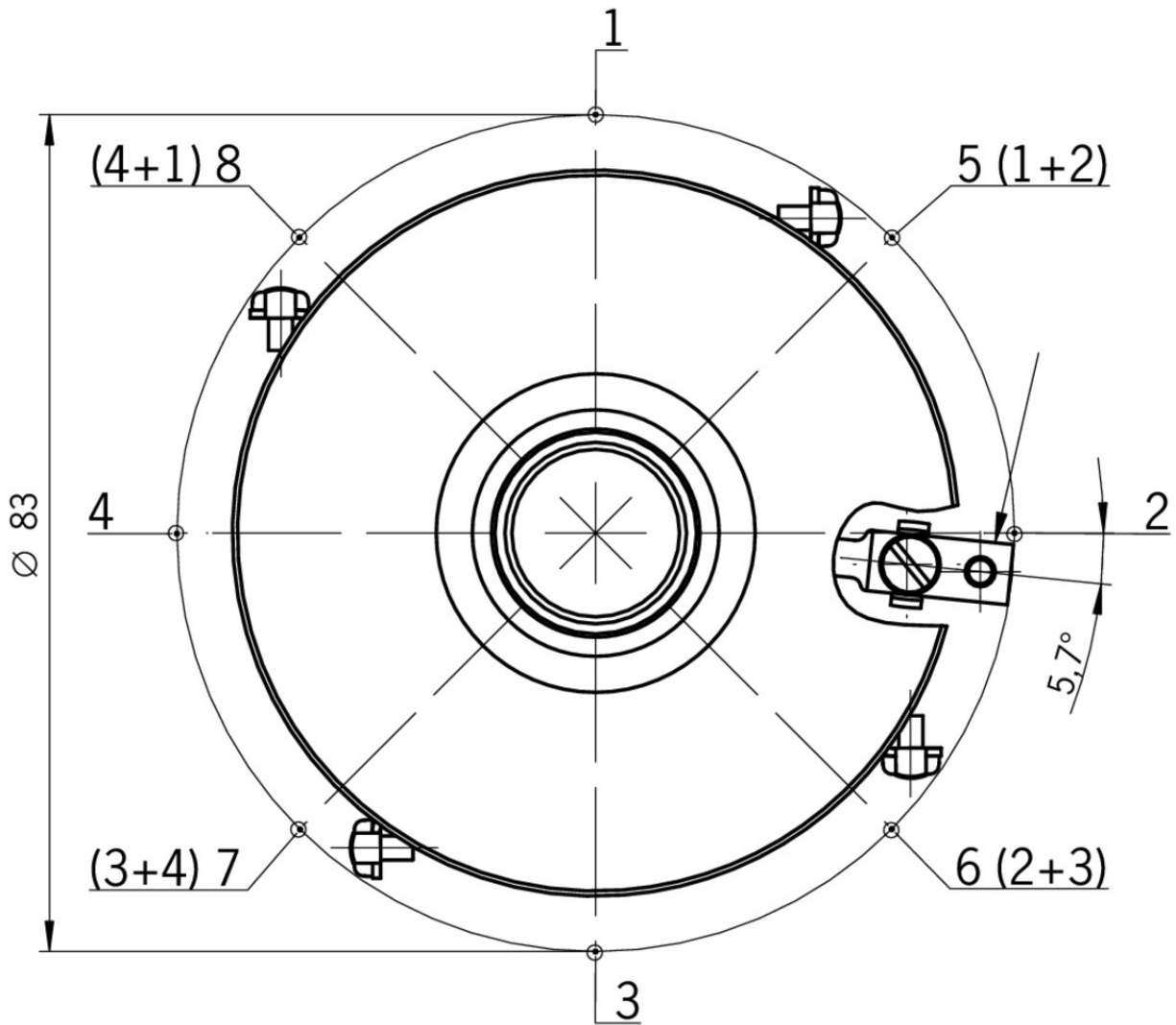
Dimension drawing



Dimension drawing



Switching functions



Catalogs

Einhebel-Befehlsgeräte Joystick Switches Manipulateurs Manipuladores

	Doc. no.	Version	Language	Download
Einhebel-Befehlsgeräte	076614	13-06/16		1.2 MB
Manipulateurs	111527	13-06/16		1.2 MB
Manipuladores	111528	13-06/16		1.2 MB
Joystick Switches	076654	13-06/16		1.2 MB

Declaration of conformity

EU-Konformitätserklärung

Doc. no. Version Language Download

EU-Konformitätserklärung
Declaración UE de conformidad
Déclaration UE de conformité
Dichiarazione di conformità
EU declaration of conformity

2108566 05-03/17



 0.2 MB