

**ITEM 029007 KES1T234**

Description	Technical data	Accessories	Downloads
-------------	----------------	-------------	-----------



**Features**

- › Front panel installation according to IEC 947-5-1 D22
- › 1 to 8 actuating directions, 4 switching elements. Stayput switch, spring return switch or combined
- › One changeover contact with tab connector 2.8 x 0.5 IEC 760 for each actuating direction
- › Center position switch

**Approvals**



**Mechanical values and environment**

Material	
	Housing thermoplastic
	Switching lever stainless steel

	Bellows elastomer black <b>[1]</b>
Weight	
	Net 0,1 kg
Ambient temperature	-25 ... 65 °C
Degree of protection	IP65 on the front with bellows
Mechanical life	1 x 10 <sup>6</sup>
Contact material	Silver alloy
Switching principle	changeover contact C IEC 947-5-1 <b>[2]</b>
Mounting method	IEC 947-5-1 D22 <b>[3]</b>
Number of monitoring contacts	4 <b>[4]</b>
Connection	Tab connector 2.8x0.5 IEC760
Actuating directions	4 <b>[5]</b>

### Electrical connection ratings

Utilization category according to EN 60947-5-1	
	AC-15 230V 4A
	DC-13 24V 2A
Short circuit protection according to IEC 60269-1	T10 / F20
Rated insulation voltage U <sub>i</sub>	250 V
Rated impulse withstand voltage U <sub>imp</sub>	2,5 kV
Switching voltage	min.10 V
Switching current	
	(at 24V) min.12 mA

**[1]** PAK arm

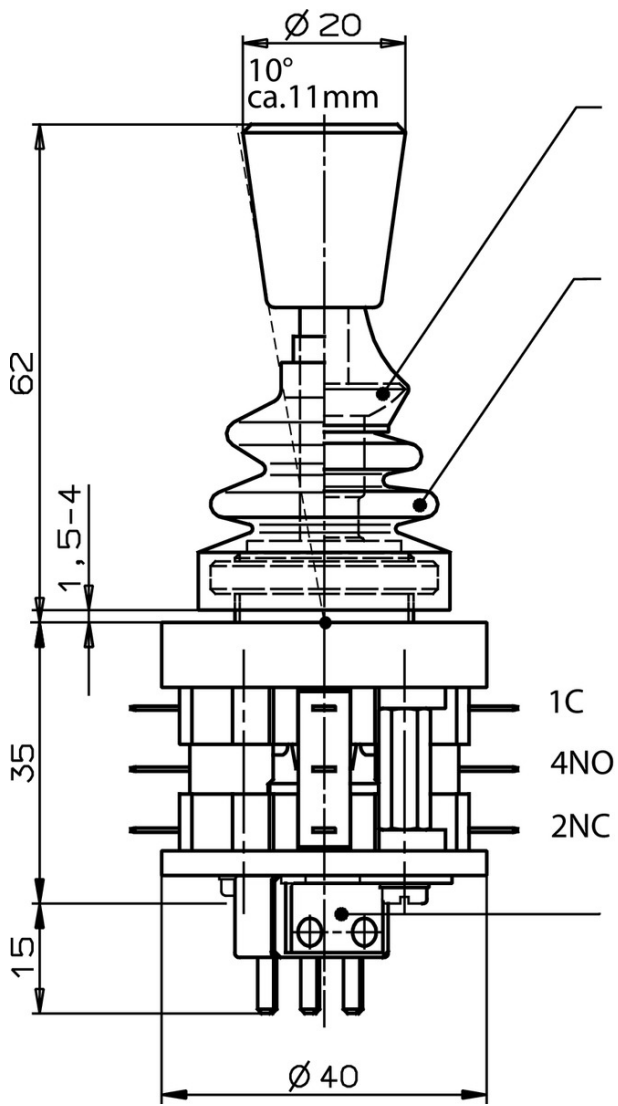
**[2]** Snap-action contact element, design ES587

**[3]** (Bore 22.5)

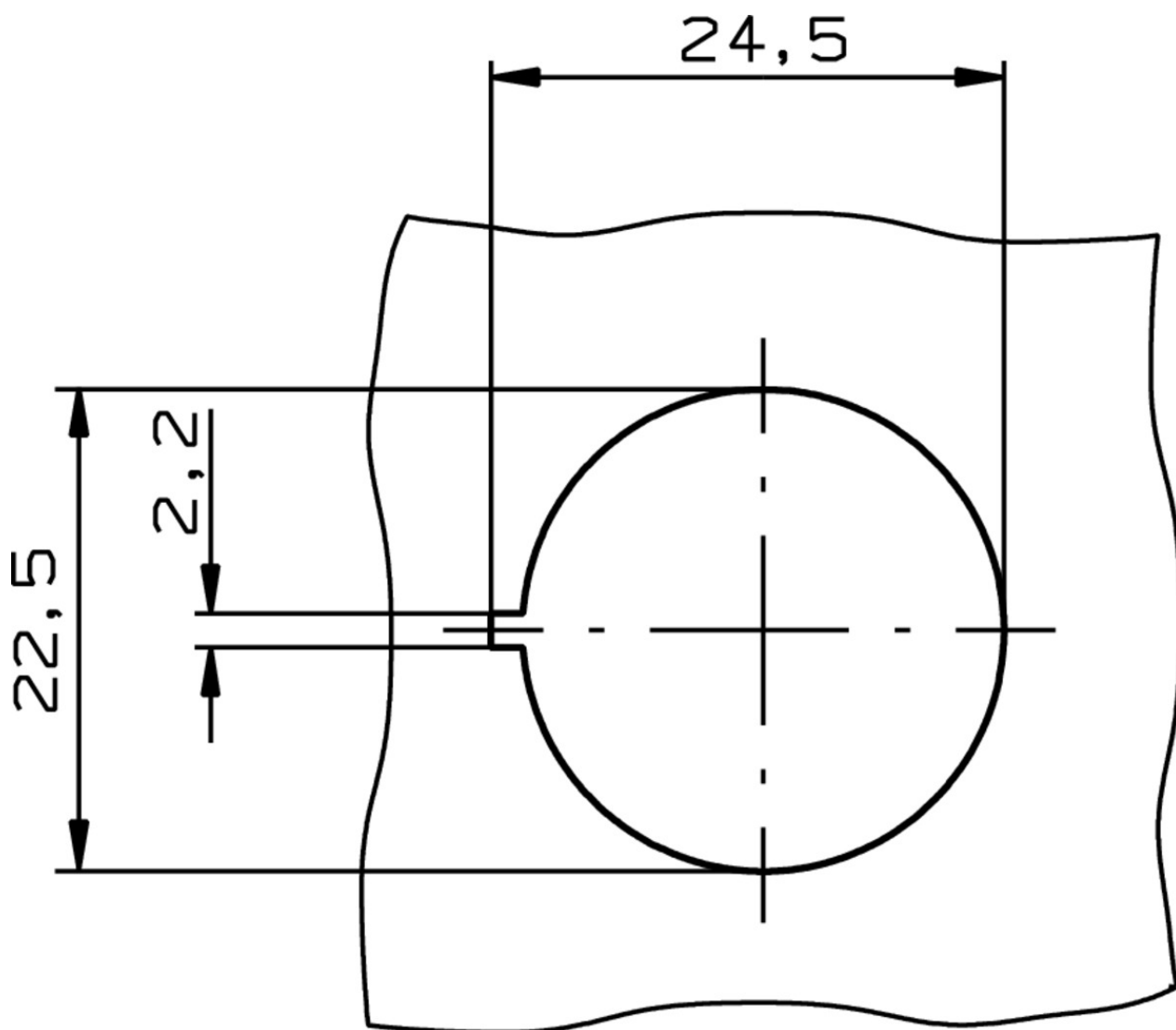
**[4]** 4 directions

**[5]** Switch 1 pushbutton 2,3,4

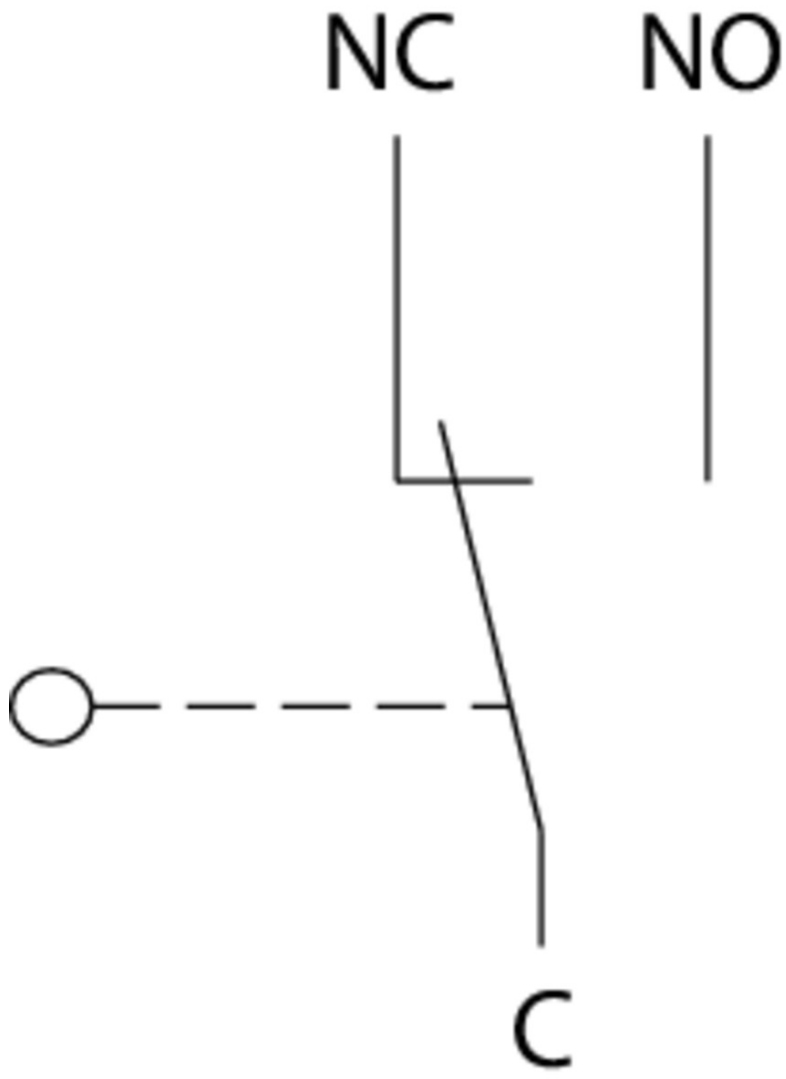
**Dimension drawing**



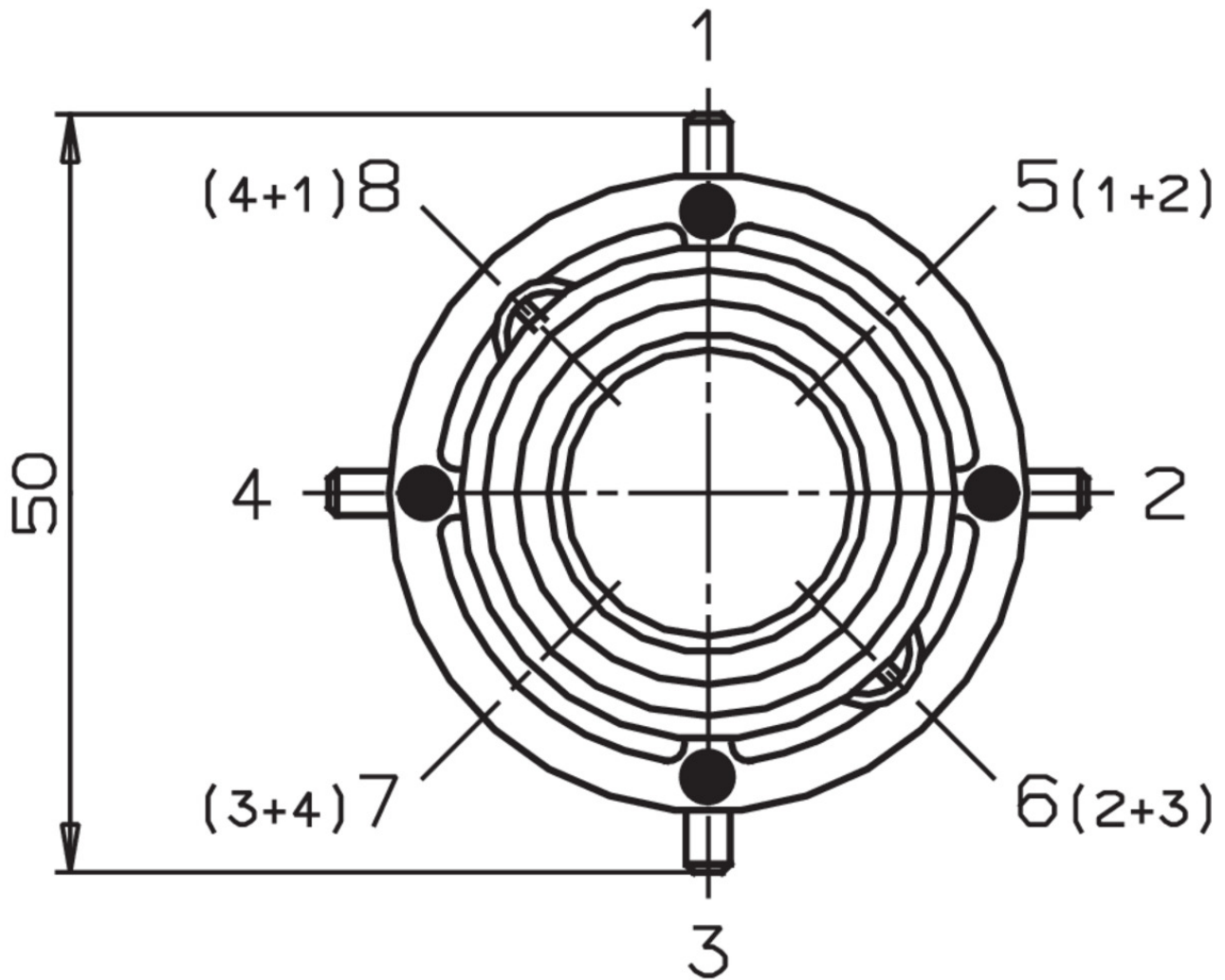
Dimension drawing



**Wiring diagram**



## Switching functions



## Catalogs







Einhebel-Befehlsgeräte Joystick Switches Manipulateurs Manipuladores

	Doc. no.	Version	Language	Download
Einhebel-Befehlsgeräte	076614	13-06/16		1.2 MB
Manipulateurs	111527	13-06/16		1.2 MB
Manipuladores	111528	13-06/16		1.2 MB
Joystick Switches	076654	13-06/16		1.2 MB

## Declaration of conformity

EU-Konformitätserklärung

Doc. no. Version Language Download

EU-Konformitätserklärung	2108566	05-03/17		 0.2 MB
Declaración UE de conformidad				
Déclaration UE de conformité				
Dichiarazione di conformità				
EU declaration of conformity				

### **CAD data**

CAD data for this item on TraceParts