

**ITEM 020488 KCB6A6A6A6A0000V1XZ**

Description	Technical data	Accessories	Downloads
-------------	----------------	-------------	-----------



**Features**

- › Screw terminal
- › 4 actuating directions
- › Locking in switch position 1 to 2 (V1)
- › Bellows for surface mounting (X)
- › Center position switch (Z)

**Approvals**



**Mechanical values and environment**

Material	
	Housing thermoplastic/aluminum
	Switching lever galvanized steel
	Bellows elastomer black <sup>[1]</sup>

Weight	Net	0,75 kg
Ambient temperature	Button	-5 ... 65 °C
	Switch	-25 ... 65 °C
Degree of protection		IP65 on the front with bellows [2]
Mechanical life		min.1 x 10 <sup>6</sup>
Contact material		Silver alloy
Switching principle		changeover contact C IEC 947-5-1 [3]
Center-position switch		1 changeover contact [4]
Mounting method		Panel cut-out depending on version X or W [5]
Number of monitoring contacts		12 + 1max.13 [6]
Connection		Screw terminal
Actuating directions		Max. 3 positions (0-1-2) possible per type and directionmax.4

### Electrical connection ratings

Utilization category according to EN 60947-5-1	AC-15	230V 4A
	DC-13	24V 2A
Short circuit protection according to IEC 60269-1		Slow-blow T6 / quick-blow F10
Rated insulation voltage U <sub>i</sub>		250 V
Rated impulse withstand voltage U <sub>imp</sub>		2,5 kV
Switching voltage		min.10 V
Switching current	(at 24V)	min.12 mA

### Miscellaneous

Additional feature	
	Locking in position 1
	Bellows X for surface mounting

[1] PAK arm

[2] Version X

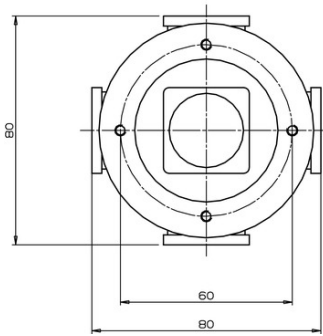
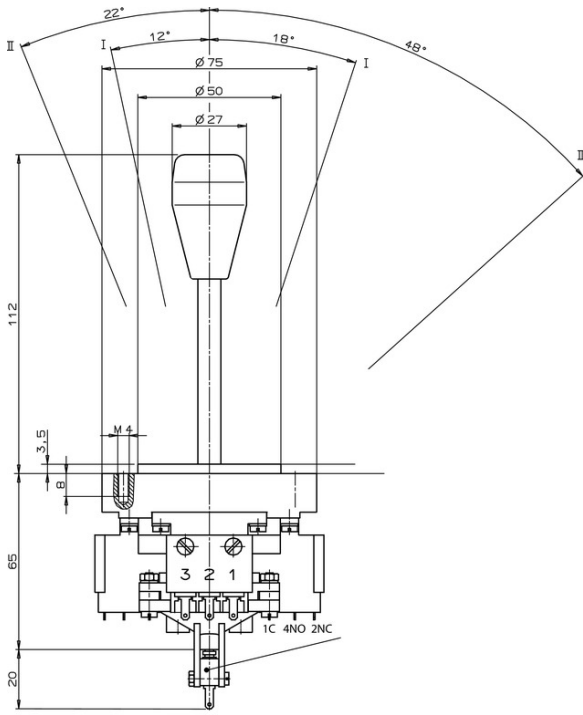
[3] Snap-action contact element, design ES556

[4] In neutral position (not actuated) NO contact closed, NC contact open

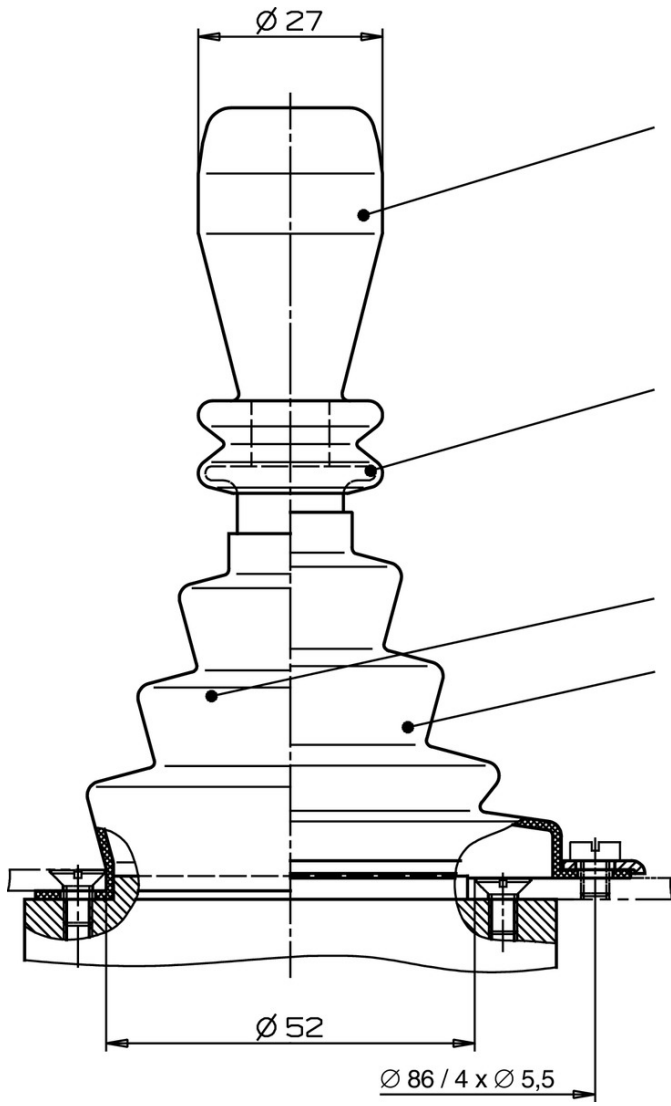
[5] See drawing panel cut-out

[6] 4 directions x 3 switching elements and 1x Z contact

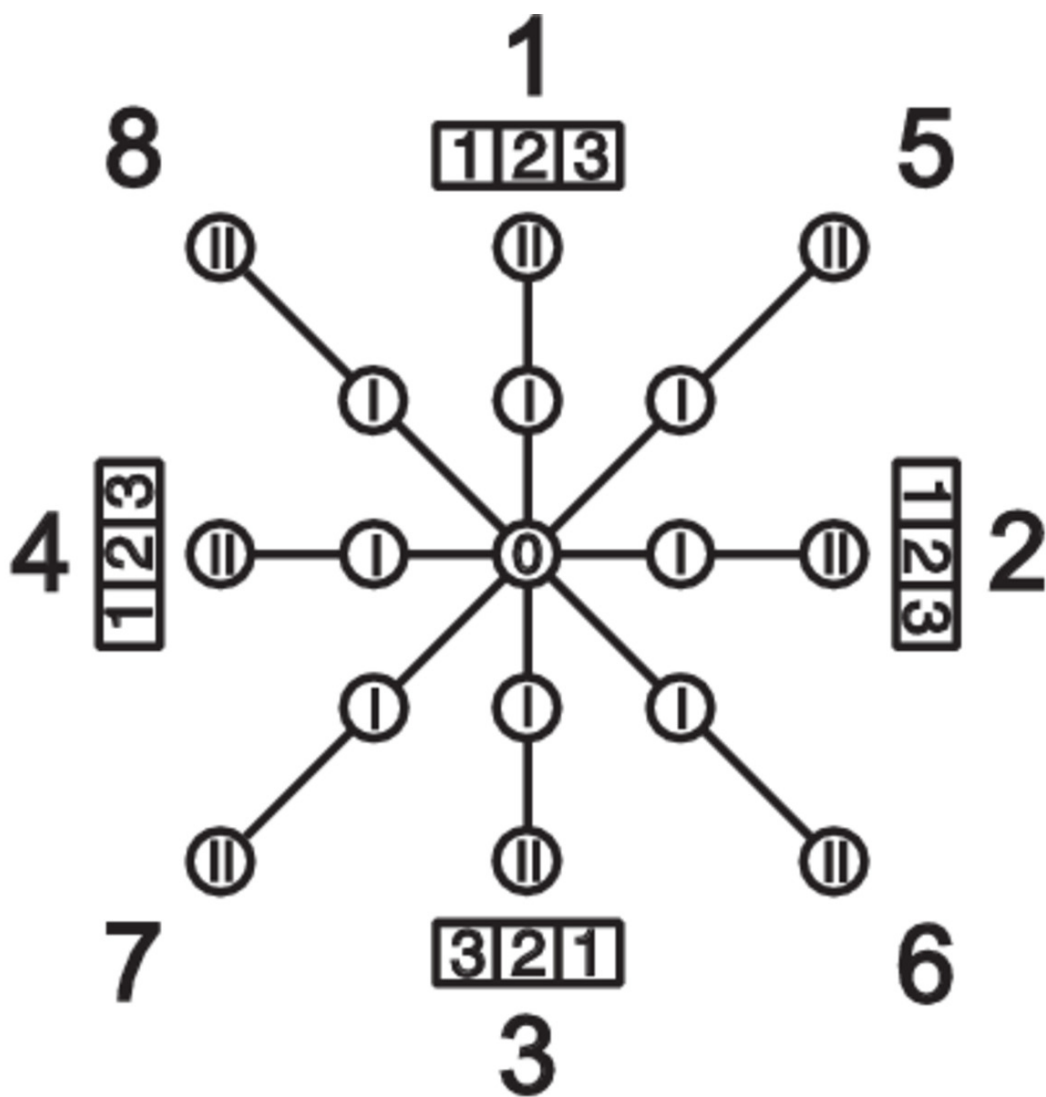
# Dimension drawing



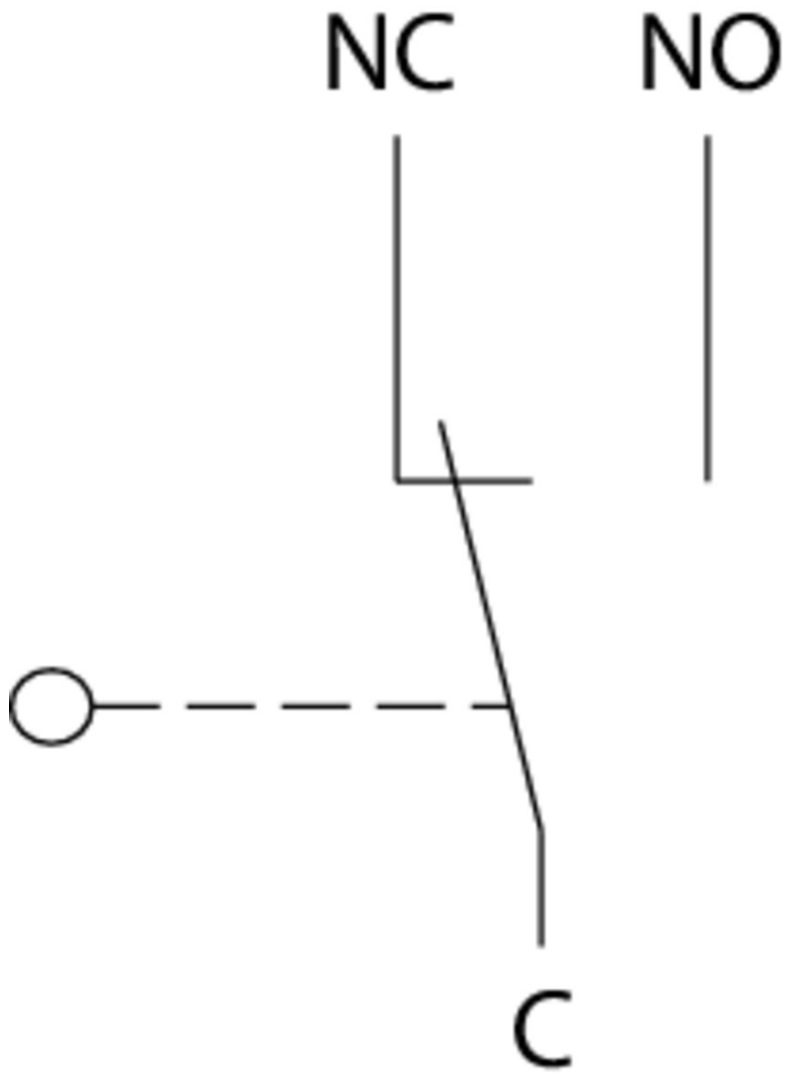
**Dimension drawing**



Actuating directions

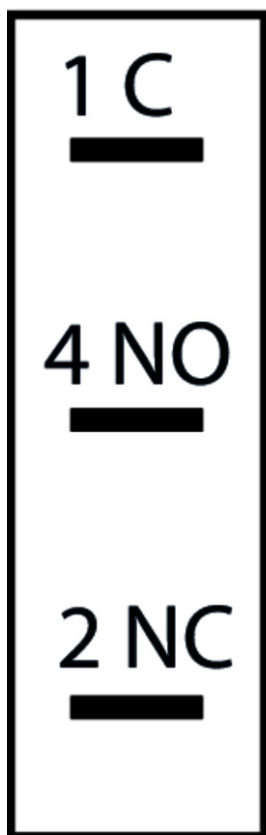


**Wiring diagram**



Connection diagram

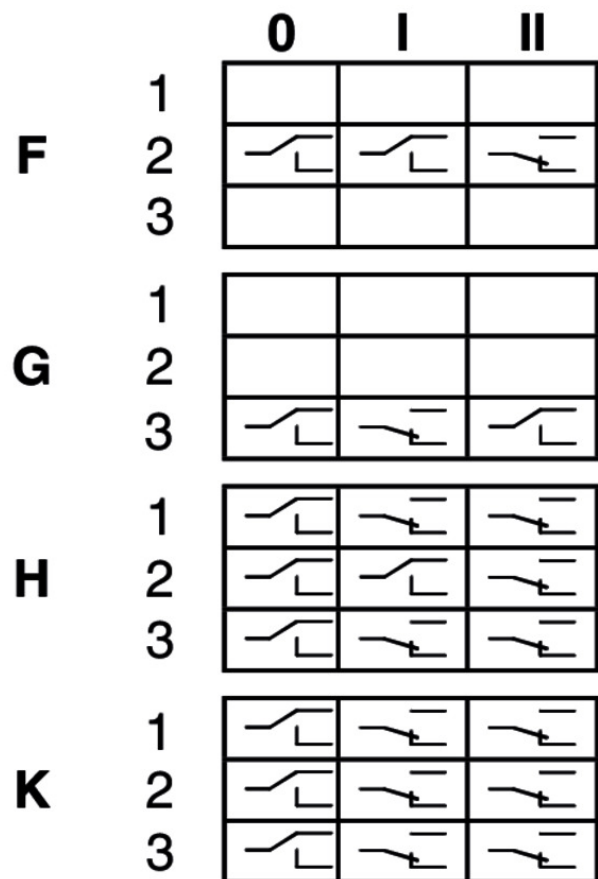
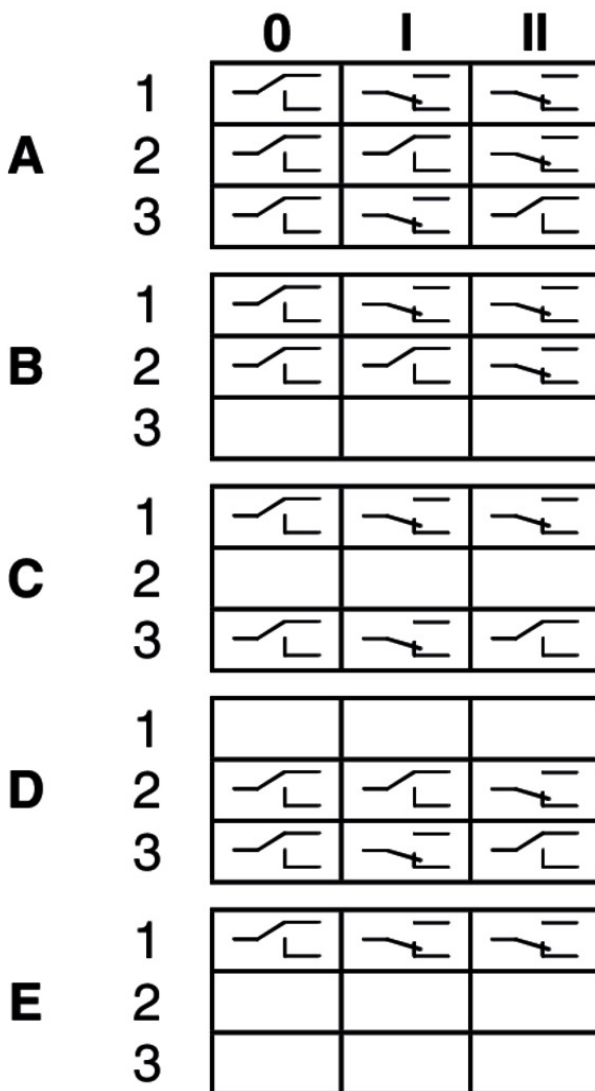
ES 587



ES 556



## Switching functions



## Catalogs

Einhebel-Befehlsgeräte Joystick Switches Manipulateurs Manipuladores






	Doc. no.	Version	Language	Download
Einhebel-Befehlsgeräte	076614	13-06/16		1.2 MB
Manipulateurs	111527	13-06/16		1.2 MB
Manipuladores	111528	13-06/16		1.2 MB
Joystick Switches	076654	13-06/16		1.2 MB

## Declaration of conformity

EU-Konformitätserklärung

Doc. no.	Version	Language	Download
----------	---------	----------	----------



EU-Konformitätserklärung	2108566	05-03/17		 0.2 MB
Declaración UE de conformidad				
Déclaration UE de conformité				
Dichiarazione di conformità				
EU declaration of conformity			