

ITEM 039194 KCB2B002B000000V0XZ

Description	Technical data	Accessories	Downloads
-------------	----------------	-------------	-----------



Features

- › Screw terminal
- › 2 actuating directions
- › Locking in switch position 0 (V0)
- › Bellows for surface mounting (X)
- › Center position switch (Z)

Approvals



Mechanical values and environment

Material	
	Housing thermoplastic/aluminum
	Switching lever galvanized steel
	Bellows elastomer black ^[1]

Weight	Net	0,75 kg
Ambient temperature	Button	-5 ... 65 °C
	Switch	-25 ... 65 °C
Degree of protection		IP65 on the front with bellows [2]
Mechanical life		min.1 x 10 ⁶
Contact material		Silver alloy
Switching principle		changeover contact C IEC 947-5-1 [3]
Center-position switch		1 changeover contact [4]
Mounting method		Panel cut-out depending on version X or W [5]
Number of monitoring contacts		4 + 1max.5 [6]
Connection		Screw terminal
Actuating directions		Max. 3 positions (0-1-2) possible per type and directionmax.2

Electrical connection ratings

Utilization category according to EN 60947-5-1	AC-15	230V 4A
	DC-13	24V 2A
Short circuit protection according to IEC 60269-1		Slow-blow T6 / quick-blow F10
Rated insulation voltage U _i		250 V
Rated impulse withstand voltage U _{imp}		2,5 kV
Switching voltage		min.10 V
Switching current	(at 24V)	min.12 mA

Miscellaneous

Additional feature	
	Locking in O position
	Bellows X for surface mounting

[1] PAK arm

[2] Version X

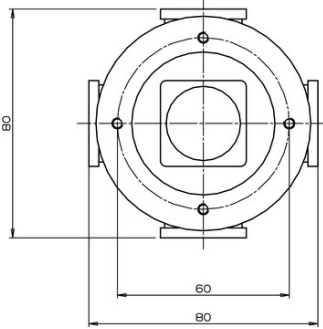
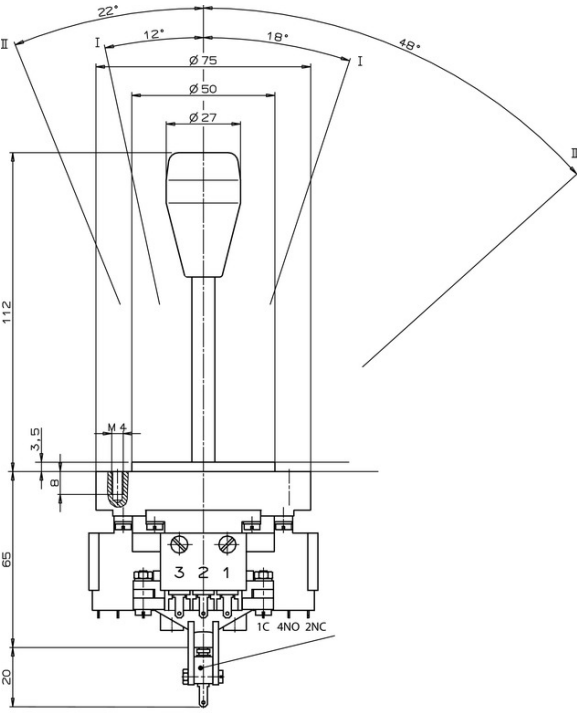
[3] Snap-action contact element, design ES556

[4] In neutral position (not actuated) NO contact closed, NC contact open

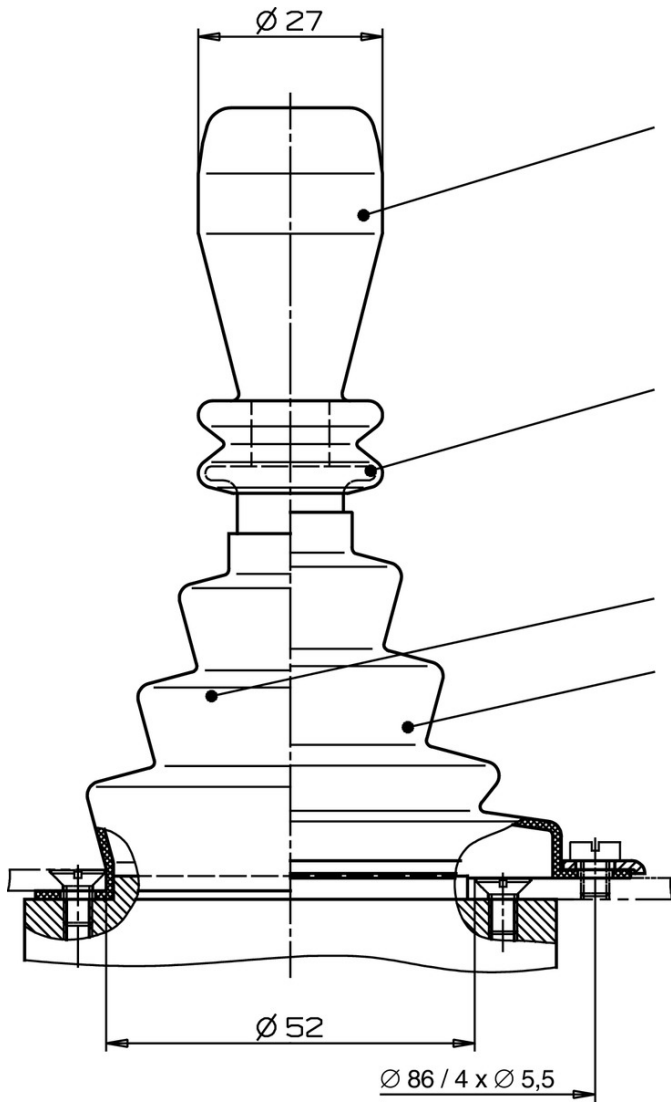
[5] See drawing panel cut-out

[6] 2 directions x 2 switching elements and 1x Z contact

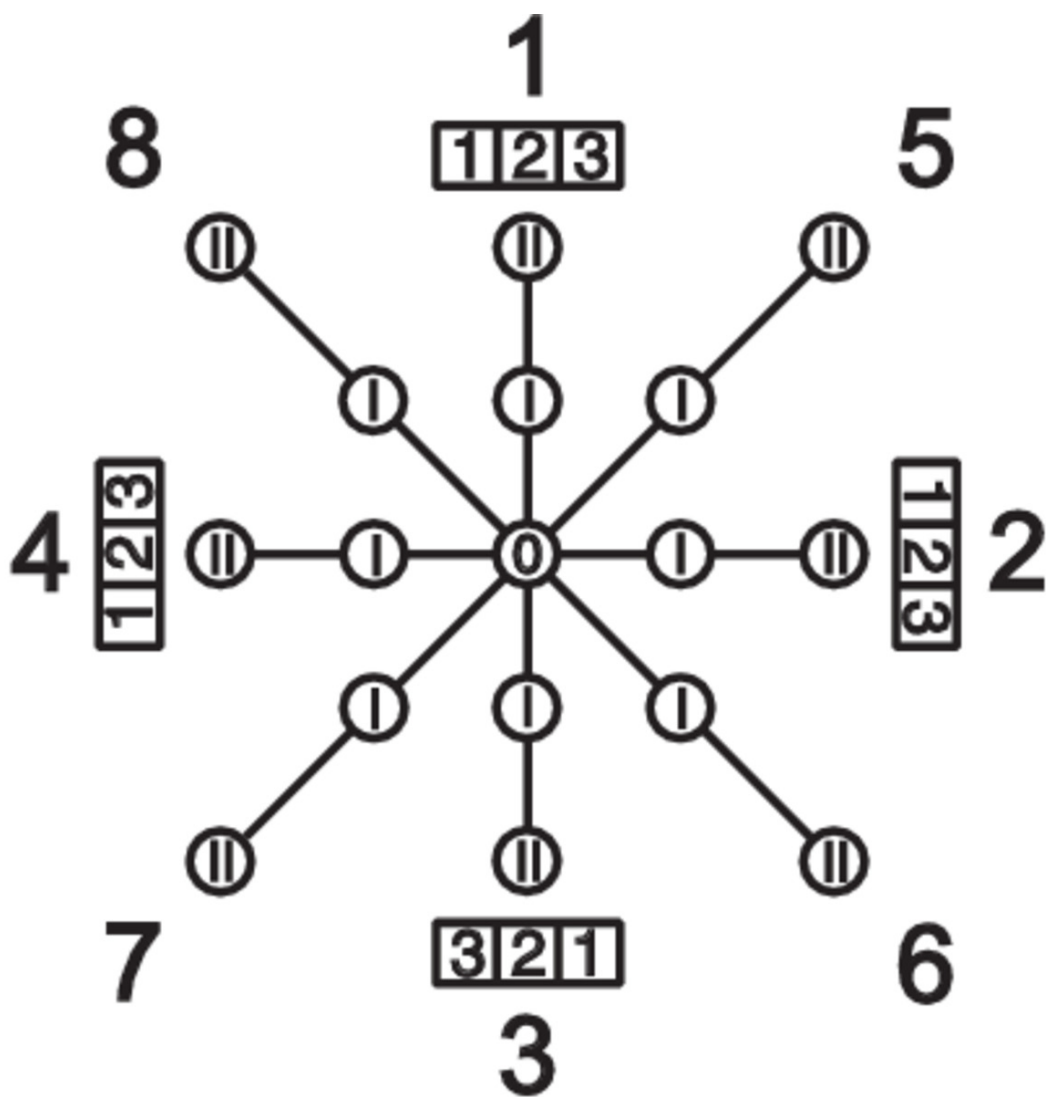
Dimension drawing



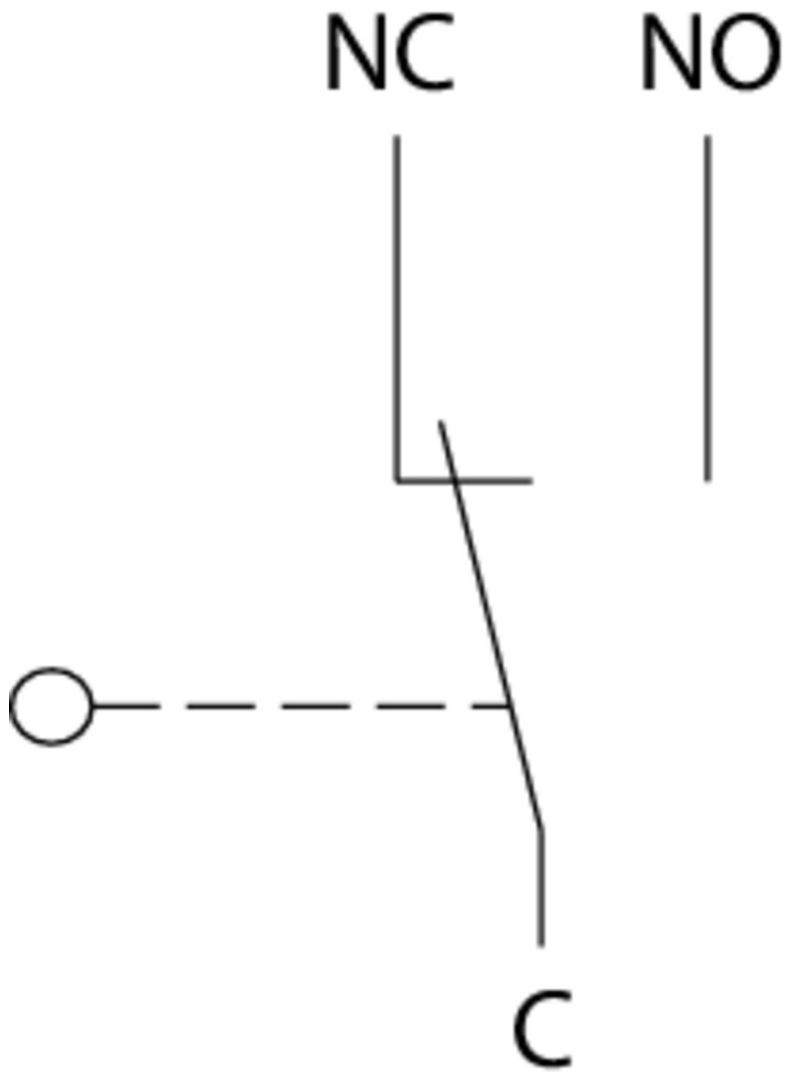
Dimension drawing



Actuating directions

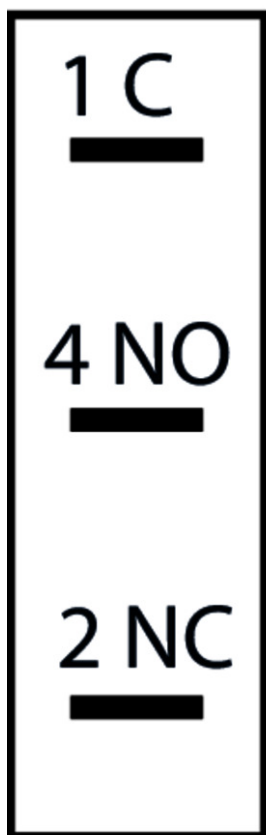


Wiring diagram



Connection diagram

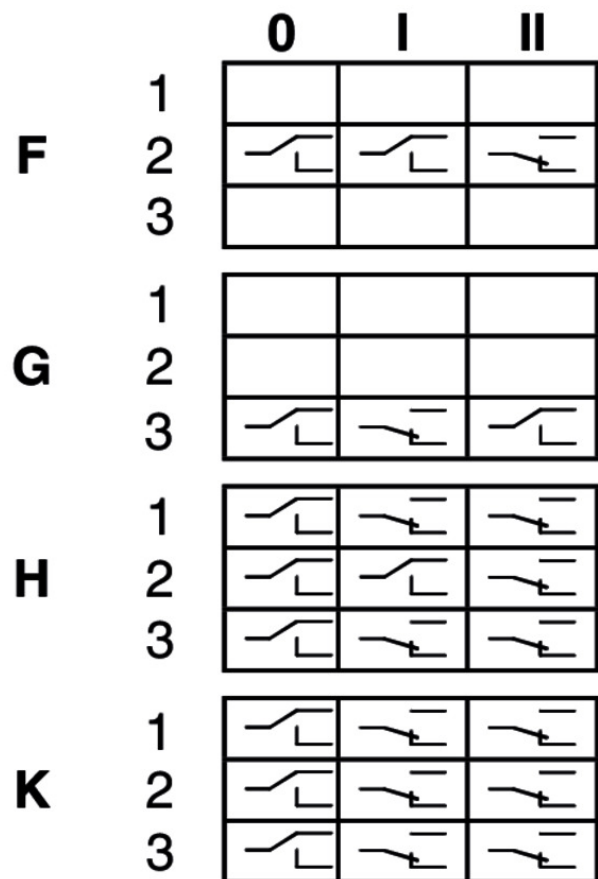
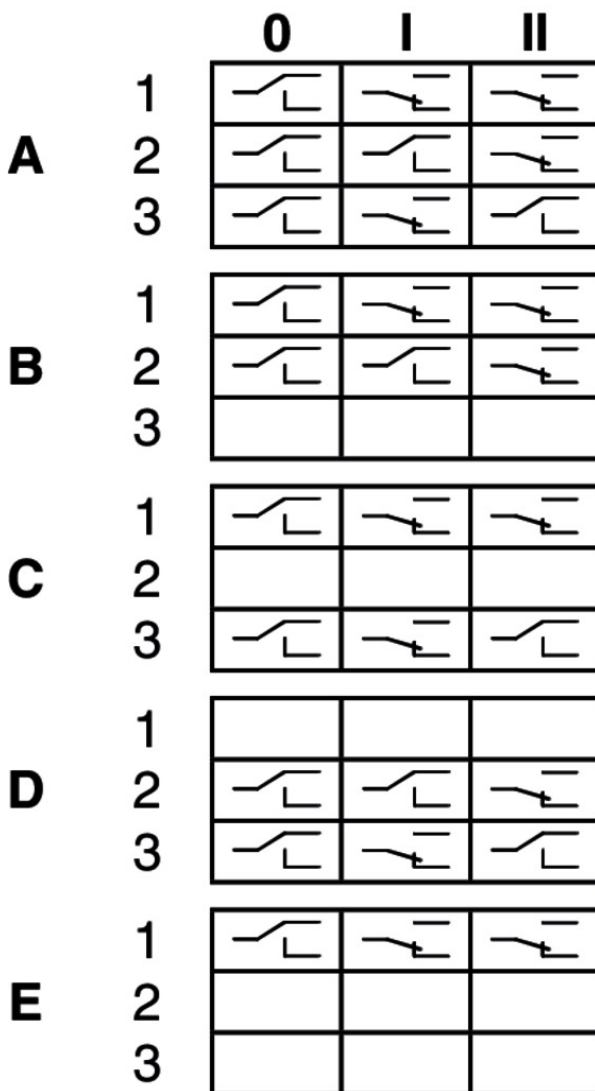
ES 587



ES 556



Switching functions



Catalogs







Einhebel-Befehlsgeräte Joystick Switches Manipulateurs Manipuladores

	Doc. no.	Version	Language	Download
Einhebel-Befehlsgeräte	076614	13-06/16		1.2 MB
Manipulateurs	111527	13-06/16		1.2 MB
Manipuladores	111528	13-06/16		1.2 MB
Joystick Switches	076654	13-06/16		1.2 MB

Declaration of conformity

EU-Konformitätserklärung

Doc. no.	Version	Language	Download
----------	---------	----------	----------

EU-Konformitätserklärung	2108566	05-03/17		 0.2 MB
Declaración UE de conformidad				
Déclaration UE de conformité				
Dichiarazione di conformità				
EU declaration of conformity				

CAD data

CAD data for this item on TraceParts