

**ITEM 033219 KCA2B1E2B1E0000W**

Description	Technical data	Accessories	Downloads
-------------	----------------	-------------	-----------



**Features**

- › Tab connector 2.8 x 0.5
- › 4 actuating directions
- › Bellows for panel mounting (W)

**Approvals**



**Mechanical values and environment**

Material	Housing thermoplastic/aluminum
	Switching lever galvanized steel
	Bellows elastomer black <sup>[1]</sup>
Weight	

	Net	0,75 kg
Ambient temperature	Button	-5 ... 65 °C
	Switch	-25 ... 65 °C
Degree of protection		IP65 on the front with bellows <b>[2]</b>
Mechanical life		min.1 x 10 <sup>6</sup>
Contact material		Silver alloy
Switching principle		changeover contact C IEC 947-5-1 <b>[3]</b>
Mounting method		Panel cut-out depending on version X or W <b>[4]</b>
Number of monitoring contacts		6max.6 <b>[5]</b>
Connection		Tab connector 2.8 x 0.5 IEC 760
Actuating directions		Max. 3 positions (0-1-2) possible per type and directionmax.4

### Electrical connection ratings

Utilization category according to EN 60947-5-1	AC-15	230V 4A
	DC-13	24V 2A
Short circuit protection according to IEC 60269-1		Slow-blow T6 / quick-blow F10
Rated insulation voltage U <sub>i</sub>		250 V
Rated impulse withstand voltage U <sub>imp</sub>		2,5 kV
Switching voltage		min.10 V
Switching current	(at 24V)	min.12 mA

### Miscellaneous

Additional feature	Bellows W for flush mounting
--------------------	------------------------------

**[1]** PAK arm

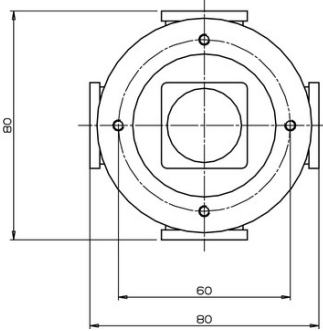
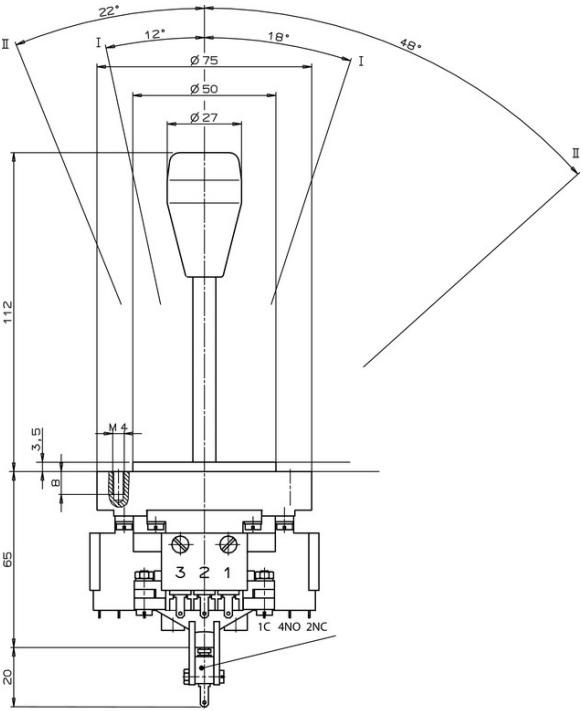
**[2]** Version W

**[3]** Snap-action contact element, design ES556

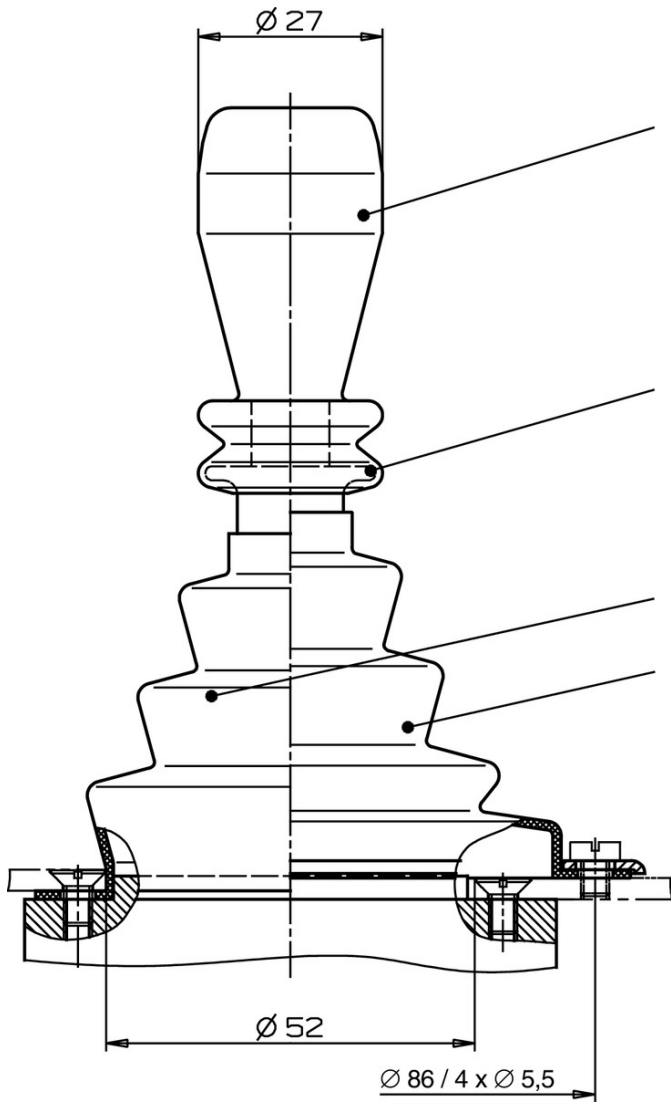
**[4]** See drawing panel cut-out

**[5]** 2 directions x 2 switching elements, 2 directions x 1 switching element

**Dimension drawing**



**Dimension drawing**



Actuating directions



**Wiring diagram**



Connection diagram

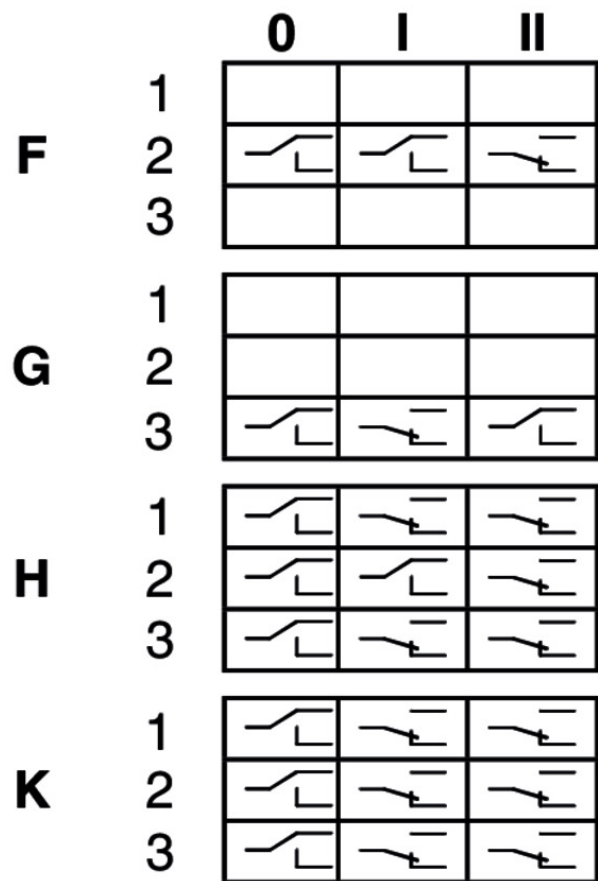
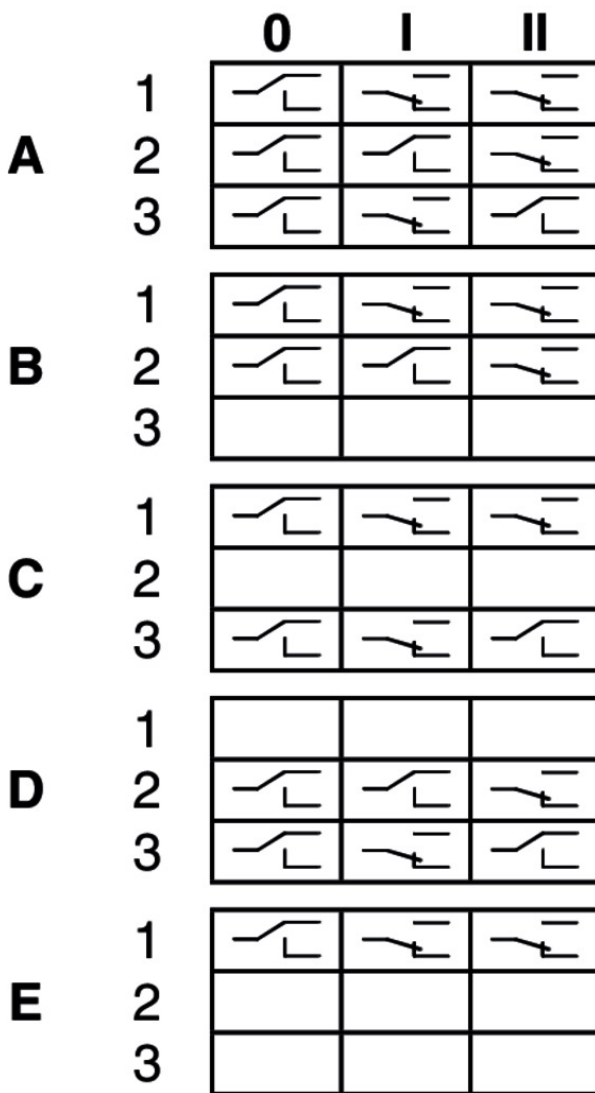
ES 587



ES 556



## Switching functions



## Catalogs

Einhebel-Befehlsgeräte Joystick Switches Manipulateurs Manipuladores

	Doc. no.	Version	Language	Download
Einhebel-Befehlsgeräte	076614	13-06/16		1.2 MB
Manipulateurs	111527	13-06/16		1.2 MB
Manipuladores	111528	13-06/16		1.2 MB
Joystick Switches	076654	13-06/16		1.2 MB

## Declaration of conformity

EU-Konformitätserklärung

Doc. no.	Version	Language	Download
----------	---------	----------	----------



EU-Konformitätserklärung  
Declaración UE de conformidad  
Déclaration UE de conformité  
Dichiarazione di conformità  
EU declaration of conformity

2108566 05-03/17



 0.2 MB