

ITEM 049155 KCB6B006B000000WZ

| Description | Technical data | Accessories | Downloads |
|-------------|----------------|-------------|-----------|
|-------------|----------------|-------------|-----------|



Features

- › Screw terminal
- › 2 actuating directions
- › Bellows for panel mounting (W)
- › Center position switch (Z)

Approvals



Mechanical values and environment

| | |
|----------|--|
| Material | |
| | Housing thermoplastic/aluminum |
| | Switching lever galvanized steel |
| | Bellows elastomer black ^[1] |

| | | |
|-------------------------------|--------|---|
| Weight | Net | 0,75 kg |
| Ambient temperature | Button | -5 ... 65 °C |
| | Switch | -25 ... 65 °C |
| Degree of protection | | IP65 on the front with bellows [2] |
| Mechanical life | | min.1 x 10 ⁶ |
| Contact material | | Silver alloy |
| Switching principle | | changeover contact C IEC 947-5-1 [3] |
| Center-position switch | | 1 changeover contact [4] |
| Mounting method | | Panel cut-out depending on version X or W [5] |
| Number of monitoring contacts | | 4 + 1max.5 [6] |
| Connection | | Screw terminal |
| Actuating directions | | Max. 3 positions (0-1-2) possible per type and directionmax.2 |

Electrical connection ratings

| | | |
|---|----------|-------------------------------|
| Utilization category according to EN 60947-5-1 | AC-15 | 230V 4A |
| | DC-13 | 24V 2A |
| Short circuit protection according to IEC 60269-1 | | Slow-blow T6 / quick-blow F10 |
| Rated insulation voltage U _i | | 250 V |
| Rated impulse withstand voltage U _{imp} | | 2,5 kV |
| Switching voltage | | min.10 V |
| Switching current | (at 24V) | min.12 mA |

Miscellaneous

| | |
|--------------------|------------------------------|
| Additional feature | Bellows W for flush mounting |
|--------------------|------------------------------|

[1] PAK arm

[2] Version W

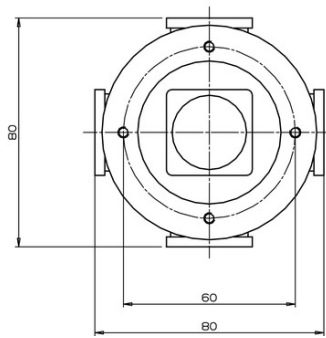
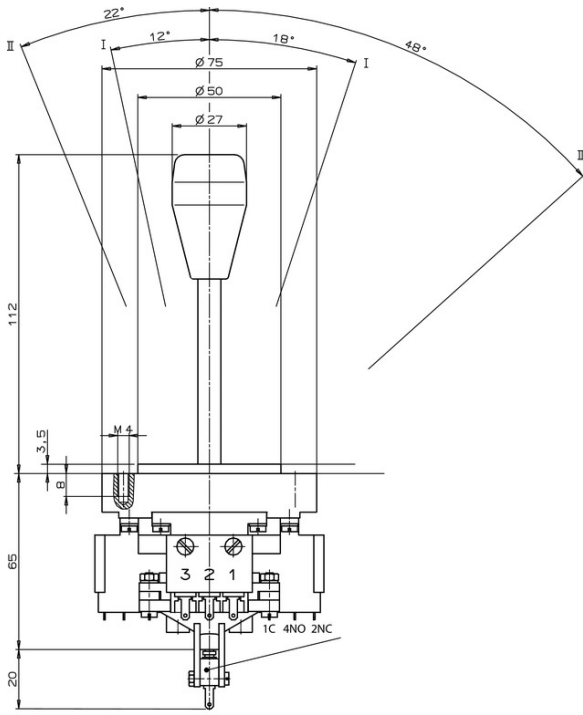
[3] Snap-action contact element, design ES556

[4] In neutral position (not actuated) NO contact closed, NC contact open

[5] See drawing panel cut-out

[6] 2 directions x 2 switching elements and 1x Z contact

Dimension drawing



Dimension drawing



Actuating directions



Wiring diagram



Connection diagram

ES 587



ES 556



Switching functions



Catalogs

Einhebel-Befehlsgeräte Joystick Switches Manipulateurs Manipuladores

| | Doc. no. | Version | Language | Download |
|------------------------|----------|----------|----------|----------|
| Einhebel-Befehlsgeräte | 076614 | 13-06/16 | | 1.2 MB |
| Manipulateurs | 111527 | 13-06/16 | | 1.2 MB |
| Manipuladores | 111528 | 13-06/16 | | 1.2 MB |
| Joystick Switches | 076654 | 13-06/16 | | 1.2 MB |

Declaration of conformity

EU-Konformitätserklärung

| Doc. no. | Version | Language | Download |
|----------|---------|----------|----------|
|----------|---------|----------|----------|

| | | | | |
|-------------------------------|---------|----------|---|---|
| EU-Konformitätserklärung | 2108566 | 05-03/17 |  |  0.2 MB |
| Declaración UE de conformidad | | |  | |
| Déclaration UE de conformité | | |  | |
| Dichiarazione di conformità | | |  | |
| EU declaration of conformity | | |  | |