

ITEM 070866 KCB2B2B2B2B0000DWZ

Description	Technical data	Accessories	Downloads
-------------	----------------	-------------	-----------



Features

- › Screw terminal
- › 4 actuating directions
- › Pushbutton in handle (D)
- › Bellows for panel mounting (W)
- › Center position switch (Z)

Approvals



Mechanical values and environment

Material	
	Housing thermoplastic/aluminum
	Switching lever galvanized steel
	Bellows elastomer black ^[1]

Weight	Net	0,75 kg
Ambient temperature	Button	-5 ... 65 °C
	Switch	-25 ... 65 °C
Degree of protection		IP65 on the front with bellows [2]
Mechanical life		min.1 x 10 ⁶
Contact material		Silver alloy
Switching principle		changeover contact C IEC 947-5-1 [3]
Center-position switch		1 changeover contact [4]
Mounting method		Panel cut-out depending on version X or W [5]
Number of monitoring contacts		8 + 1max.9 [6]
Connection		Screw terminal
Actuating directions		Max. 3 positions (0-1-2) possible per type and directionmax.4
		Pushbutton in handle
Switching principle		1 contact
Actuating force		max.8 N
Insertion depth		3 mm
Mechanical life	(at 0.7A / 250V AC)	0,05 x 10 ⁶

Electrical connection ratings

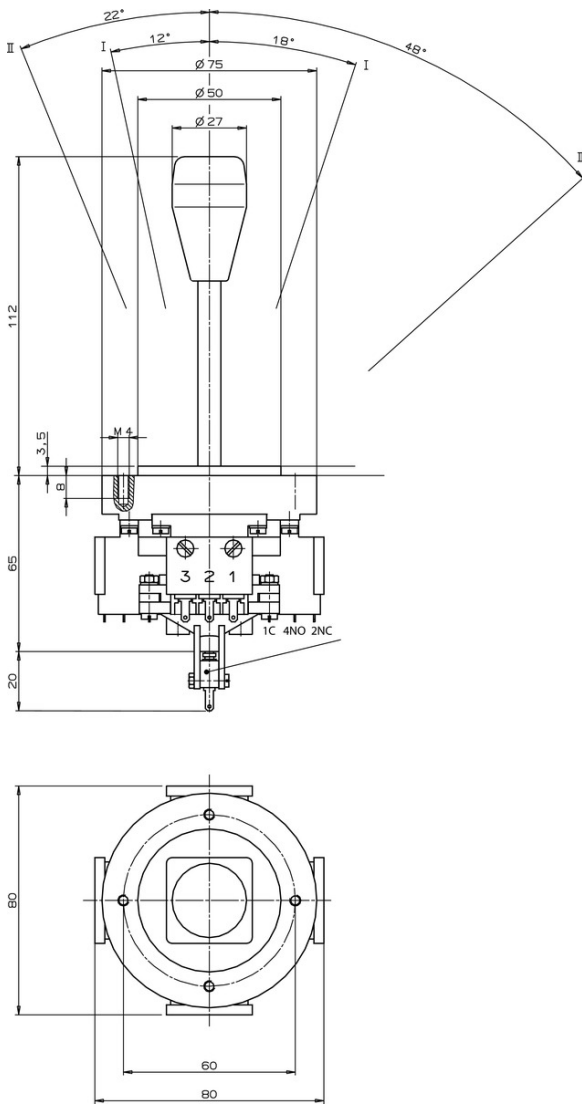
Utilization category according to EN 60947-5-1	AC-15	230V 4A
	DC-13	24V 2A
Short circuit protection according to IEC 60269-1		Slow-blow T6 / quick-blow F10
Rated insulation voltage U _i		250 V
Rated impulse withstand voltage U _{imp}		2,5 kV
Switching voltage		min.10 V
Switching current	(at 24V)	min.12 mA
		Pushbutton in handle
Switching voltage		min.10 V
Switching current	(at 24V)	min.12 mA
Utilization category according to EN 60947-5-1	AC-15	230V 2A
	DC-13	24V 1A

Miscellaneous

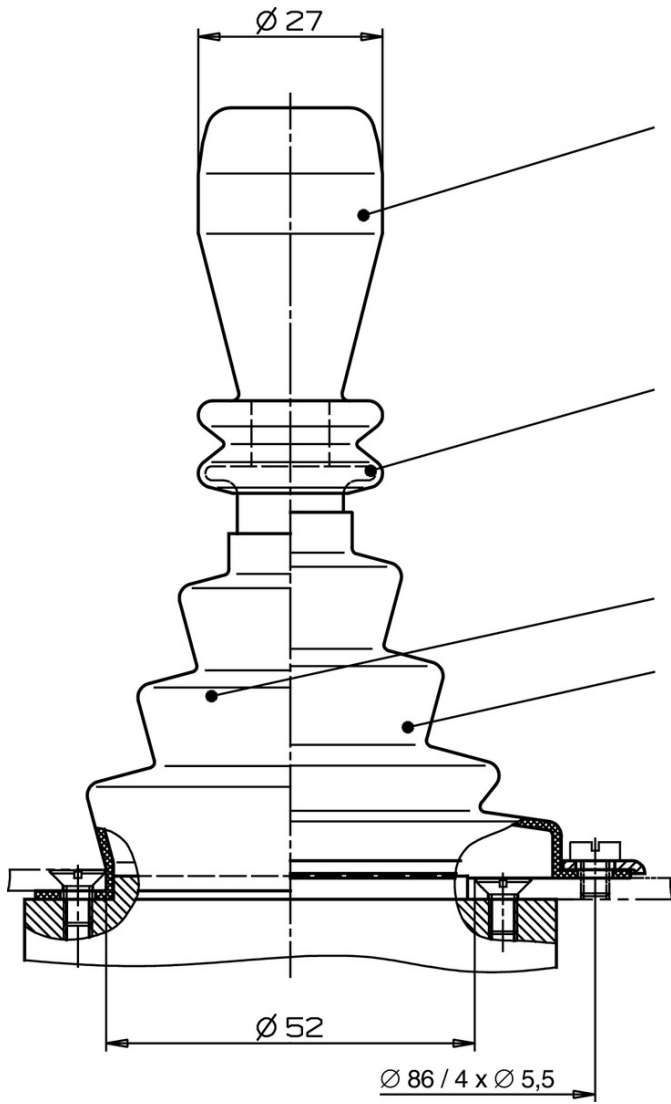
Additional feature	
	Pushbutton in handle
	Bellows W for flush mounting

- [1] PAK arm
- [2] Version W
- [3] Snap-action contact element, design ES556
- [4] In neutral position (not actuated) NO contact closed, NC contact open
- [5] See drawing panel cut-out
- [6] 4 directions x 2 switching elements and 1x Z contact

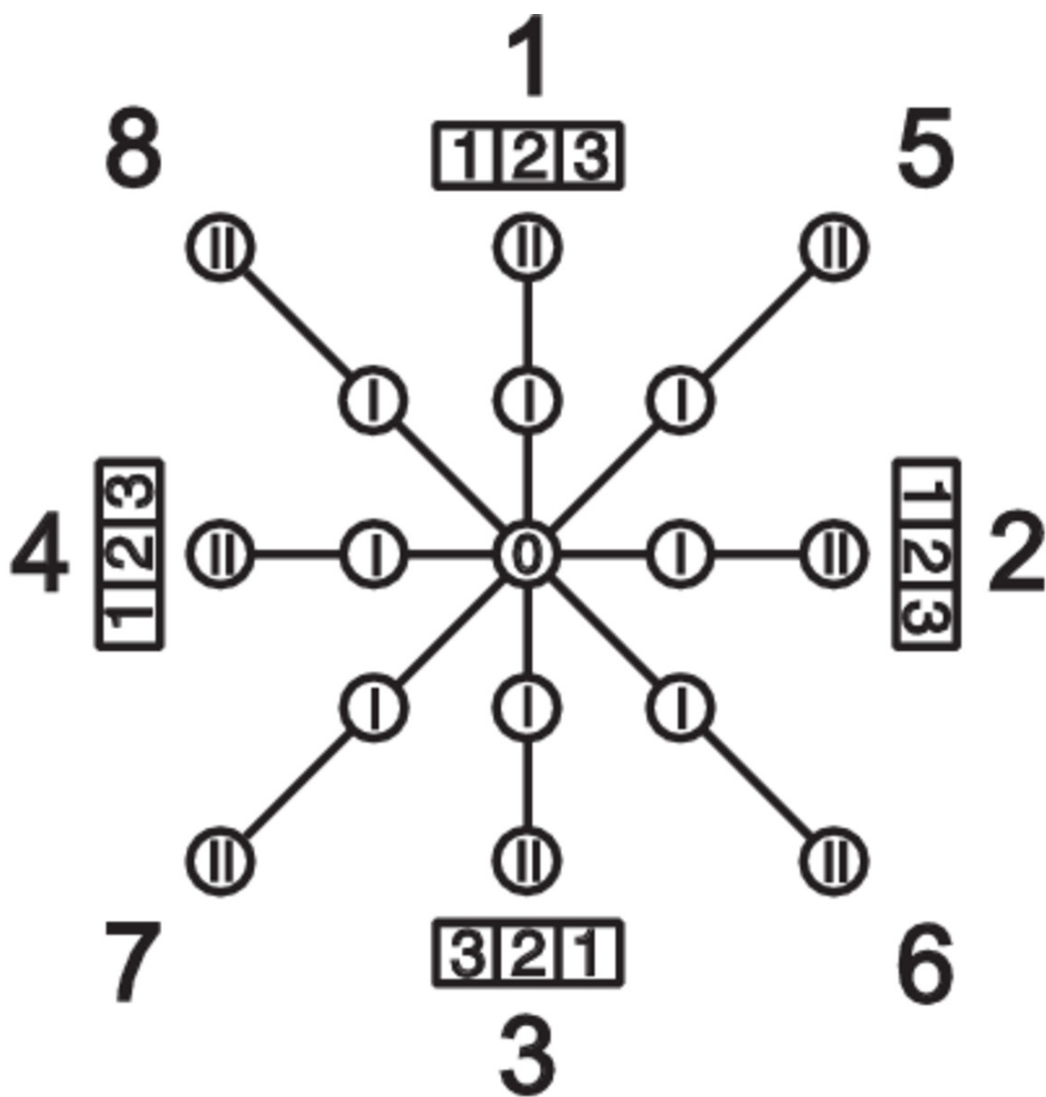
Dimension drawing



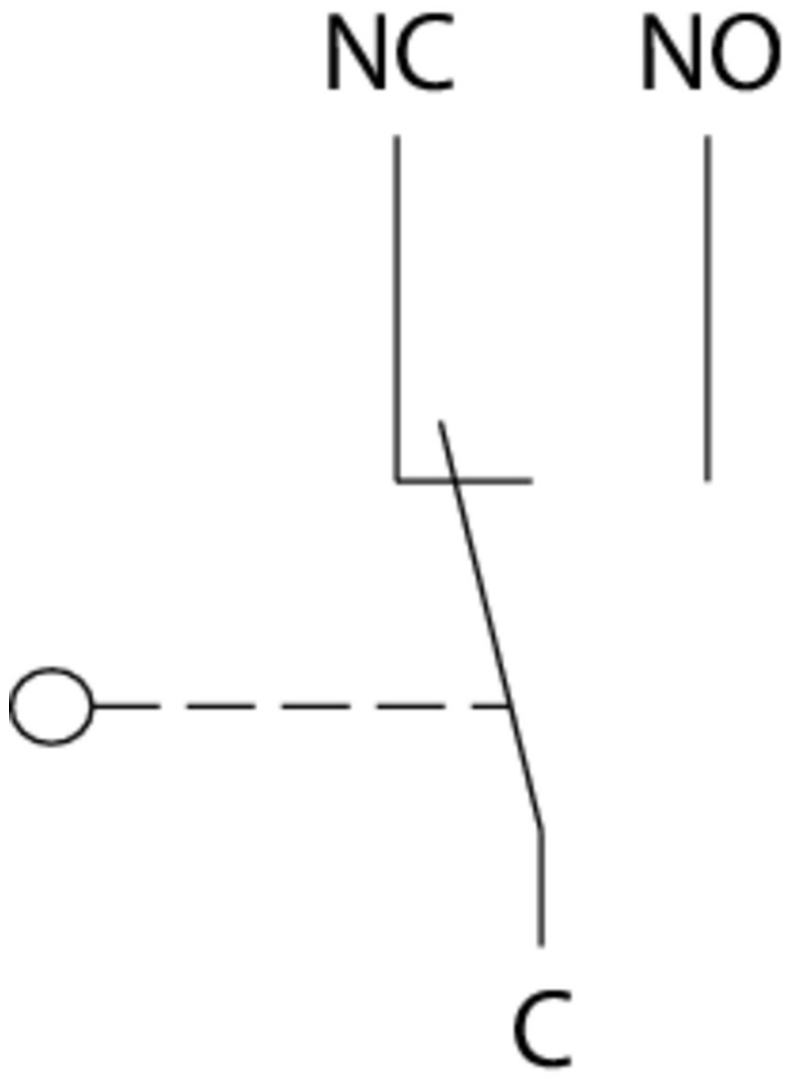
Dimension drawing



Actuating directions

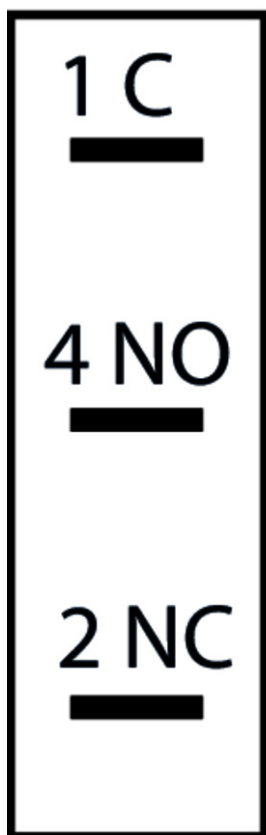


Wiring diagram



Connection diagram

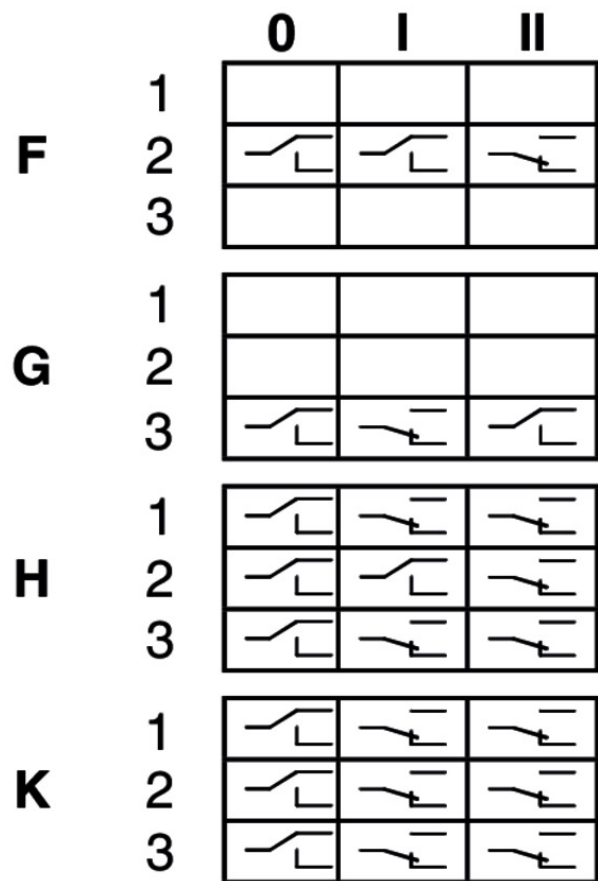
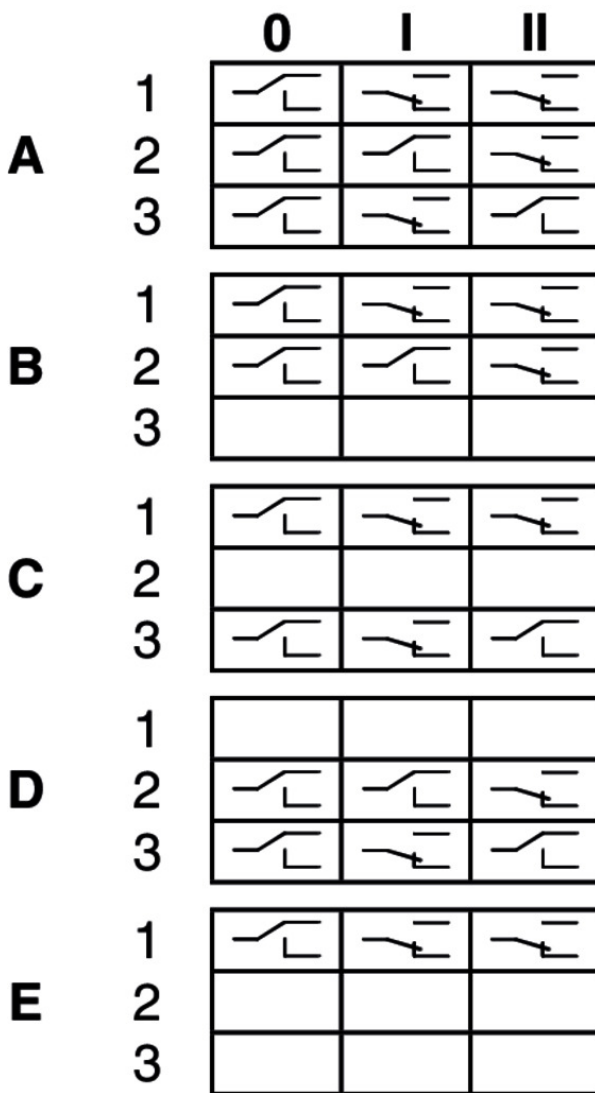
ES 587



ES 556



Switching functions



Catalogs






Einhebel-Befehlsgeräte Joystick Switches Manipulateurs Manipuladores

	Doc. no.	Version	Language	Download
Einhebel-Befehlsgeräte	076614	13-06/16		1.2 MB
Manipulateurs	111527	13-06/16		1.2 MB
Manipuladores	111528	13-06/16		1.2 MB
Joystick Switches	076654	13-06/16		1.2 MB

Declaration of conformity

EU-Konformitätserklärung

Doc. no.	Version	Language	Download
----------	---------	----------	----------

EU-Konformitätserklärung	2108566	05-03/17		 0.2 MB
Declaración UE de conformidad				
Déclaration UE de conformité				
Dichiarazione di conformità				
EU declaration of conformity			