

ITEM 104228 KCB5A002A000000X

Description	Technical data	Accessories	Downloads
-------------	----------------	-------------	-----------



**Features**

- › Screw terminal
- › 2 actuating directions
- › Bellows for surface mounting (X)

**Approvals**



**Mechanical values and environment**

Material	Housing thermoplastic/aluminum
	Switching lever galvanized steel
	Bellows elastomer black <sup>[1]</sup>
Weight	

	Net	0,75 kg
Ambient temperature	Button	-5 ... 65 °C
	Switch	-25 ... 65 °C
Degree of protection		IP65 on the front with bellows <b>[2]</b>
Mechanical life		min.1 x 10 <sup>6</sup>
Contact material		Silver alloy
Switching principle		changeover contact C IEC 947-5-1 <b>[3]</b>
Mounting method		Panel cut-out depending on version X or W <b>[4]</b>
Number of monitoring contacts		6max.6 <b>[5]</b>
Connection		Screw terminal
Actuating directions		Max. 3 positions (0-1-2) possible per type and directionmax.2

### Electrical connection ratings

Utilization category according to EN 60947-5-1	AC-15	230V 4A
	DC-13	24V 2A
Short circuit protection according to IEC 60269-1		Slow-blow T6 / quick-blow F10
Rated insulation voltage U <sub>i</sub>		250 V
Rated impulse withstand voltage U <sub>imp</sub>		2,5 kV
Switching voltage		min.10 V
Switching current	(at 24V)	min.12 mA

### Miscellaneous

Additional feature	Bellows X for surface mounting
--------------------	--------------------------------

**[1]** PAK arm

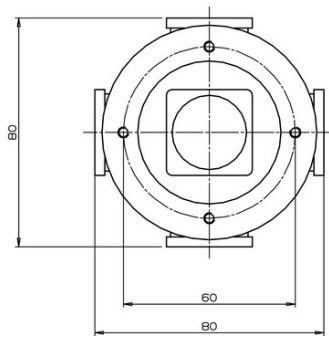
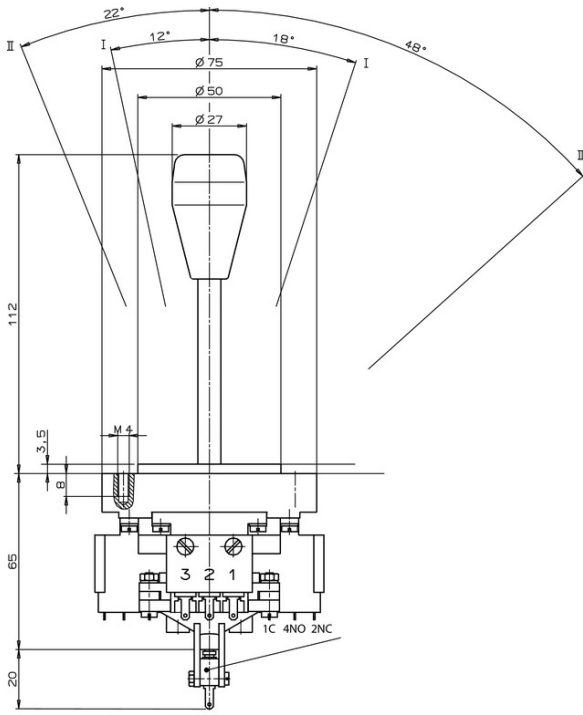
**[2]** Version X

**[3]** Snap-action contact element, design ES556

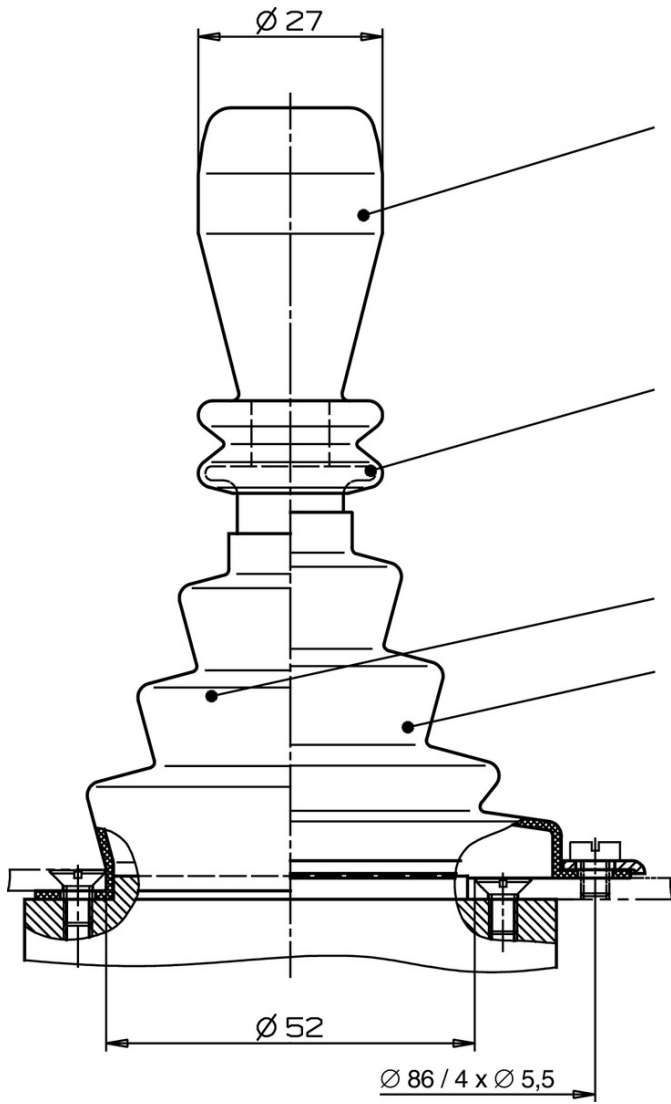
**[4]** See drawing panel cut-out

**[5]** 2 directions x 3 switching elements

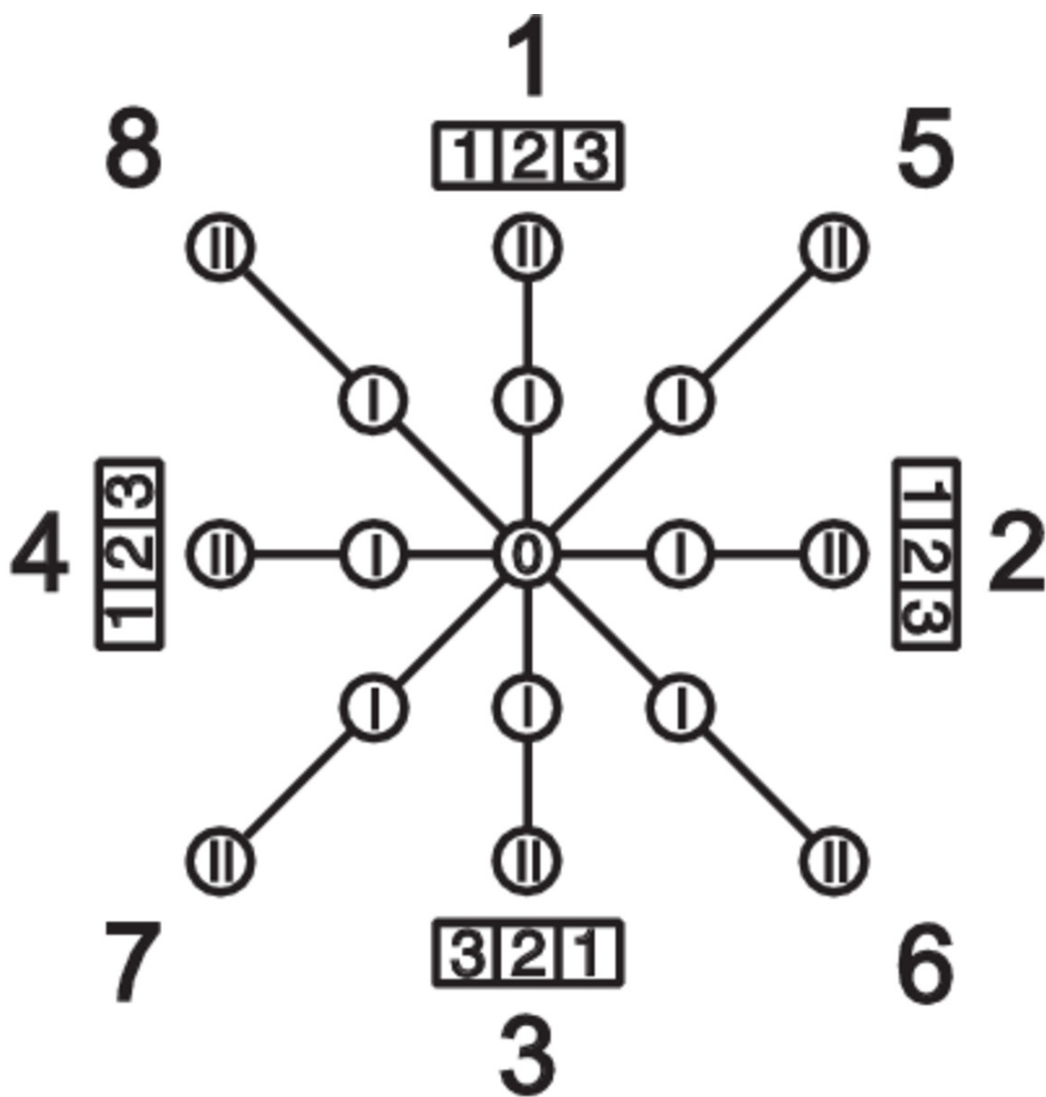
# Dimension drawing



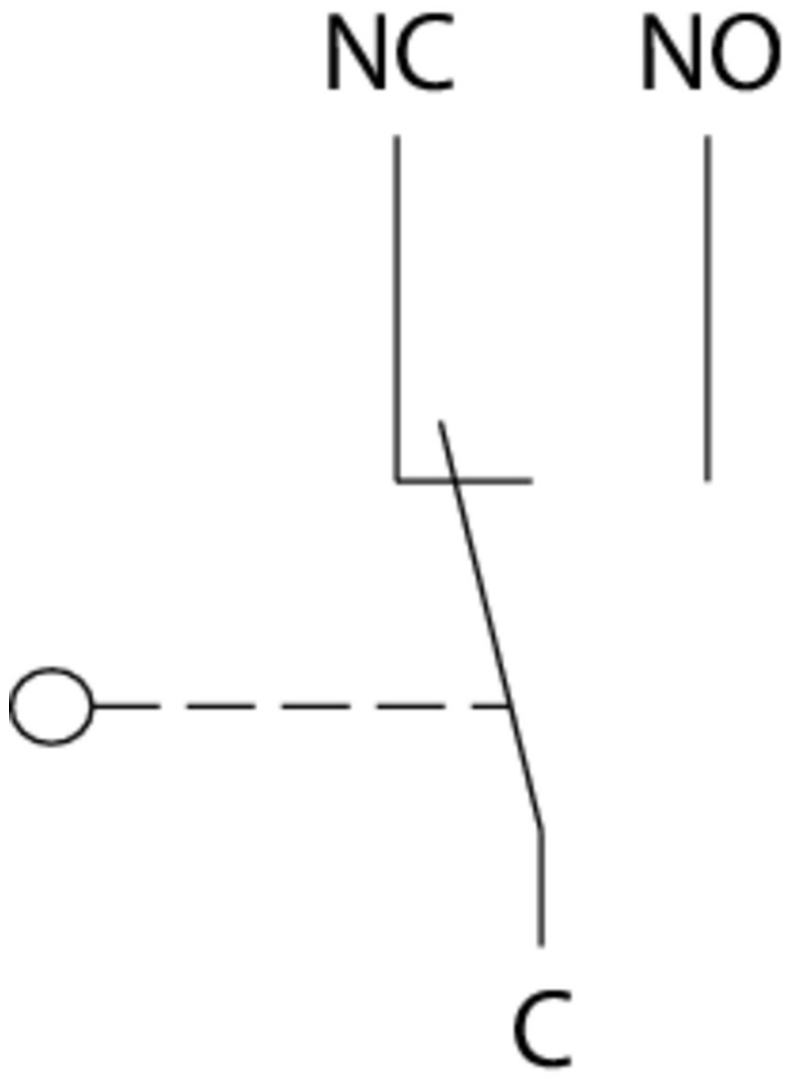
**Dimension drawing**



Actuating directions

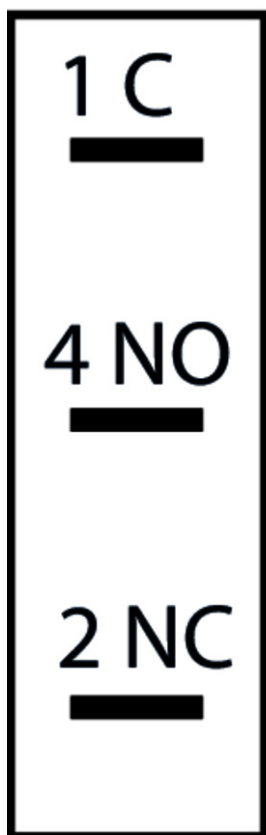


**Wiring diagram**



Connection diagram

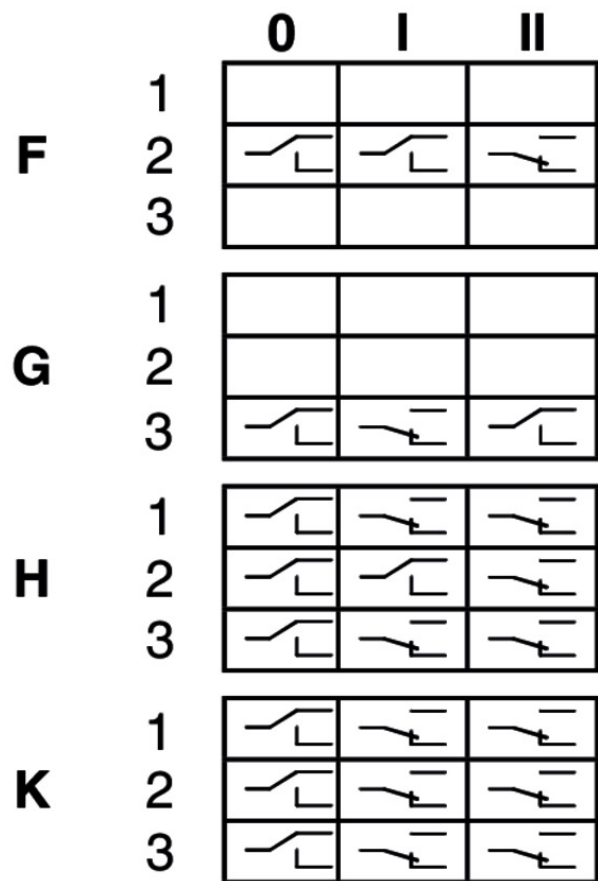
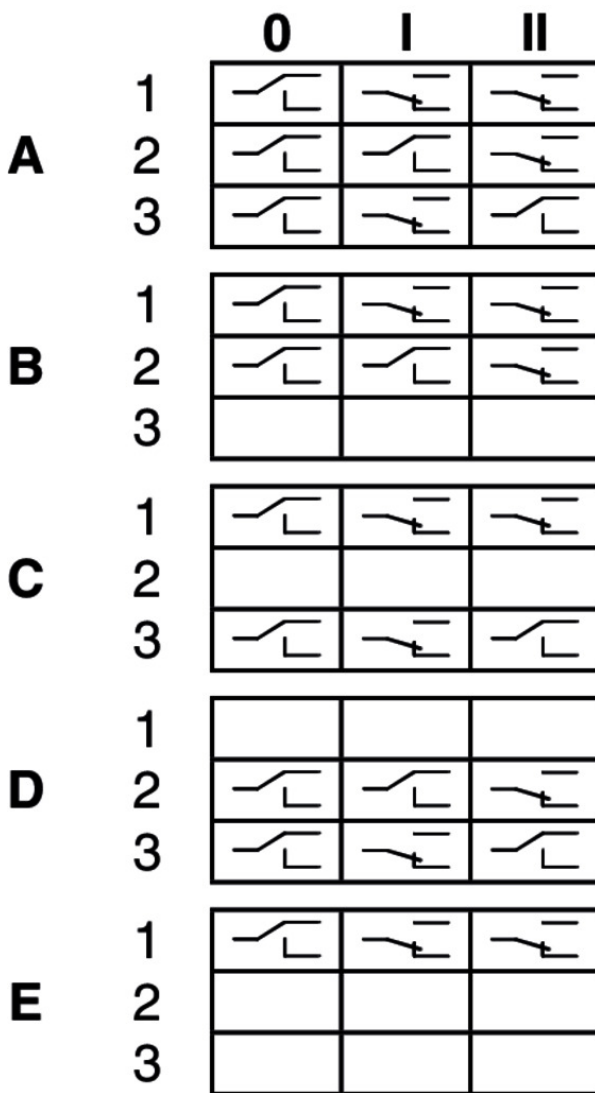
ES 587



ES 556



## Switching functions



## Catalogs

Einhebel-Befehlsgeräte Joystick Switches Manipulateurs Manipuladores






	Doc. no.	Version	Language	Download
Einhebel-Befehlsgeräte	076614	13-06/16		1.2 MB
Manipulateurs	111527	13-06/16		1.2 MB
Manipuladores	111528	13-06/16		1.2 MB
Joystick Switches	076654	13-06/16		1.2 MB

## Declaration of conformity

EU-Konformitätserklärung

Doc. no.	Version	Language	Download
----------	---------	----------	----------



EU-Konformitätserklärung	2108566	05-03/17		 0.2 MB
Declaración UE de conformidad				
Déclaration UE de conformité				
Dichiarazione di conformità				
EU declaration of conformity			