

ITEM 091875 CIA3PL1G08

Description	Technical data	Accessories	Downloads
-------------	----------------	-------------	-----------



Features

- › Parallel interface
- › In combination with read head CIT3ASX1N12ST
- › DIN rail mounting

Attention:

- › The connection cable to the control system is allowed to be max. 15 m long.
- › On the usage of a screened cable the connection cable to the read head is allowed to be max. 15 m long.
- › It is only ever possible to connect 1 read head per interface adapter.

Approvals



Mechanical values and environment

Housing material	PA6.6 gray
Ambient temperature	0 ... 55 °C
Mounting method	Mounting rail 35mm according to DIN EN 60715 TH35
Number of read heads	max.1
Connection	Plug-in screw terminal

Electrical connection ratings

Operating voltage DC	20 ... 24 ... 28 V DC [1]
Current consumption	
Without load	max.100 mA 65 mA
LED indicator	
Green	STATE LED operational
Yellow	ACTIVE LED data carrier active
Switching voltage	
	Ub-3 ... Ub V
	0 ... 2 V
Switching current	
Per output	- 30 ... +30 mA
Type of output	Push-Pull
Connection cross-section	0,14 ... 2,5 mm ²
Resistance	For inputs (Reset,Skip) 4,5 kΩ
Input voltage	
	15 ... Ub V DC
	0 ... 2 V DC

Interface, bus

Data interface	4 bit binary coded + strobe
----------------	-----------------------------

in combination with Read head CIT3ASX1N12ST and Data carrier CIS3AP10D05KH01K, CIS3AP10D05KH01K-P

Operating distance

Read distance	
With center offset m=0	0 ... 3 ... 6,5 mm [2]
With center offset m=0	0 ... 3 ... 6 mm [3]
With center offset m=0	0 ... 3 ... 5 mm [4]
Center offset	
Read distance s = 3 mm	-2,5 ... 2,5 mm [5]

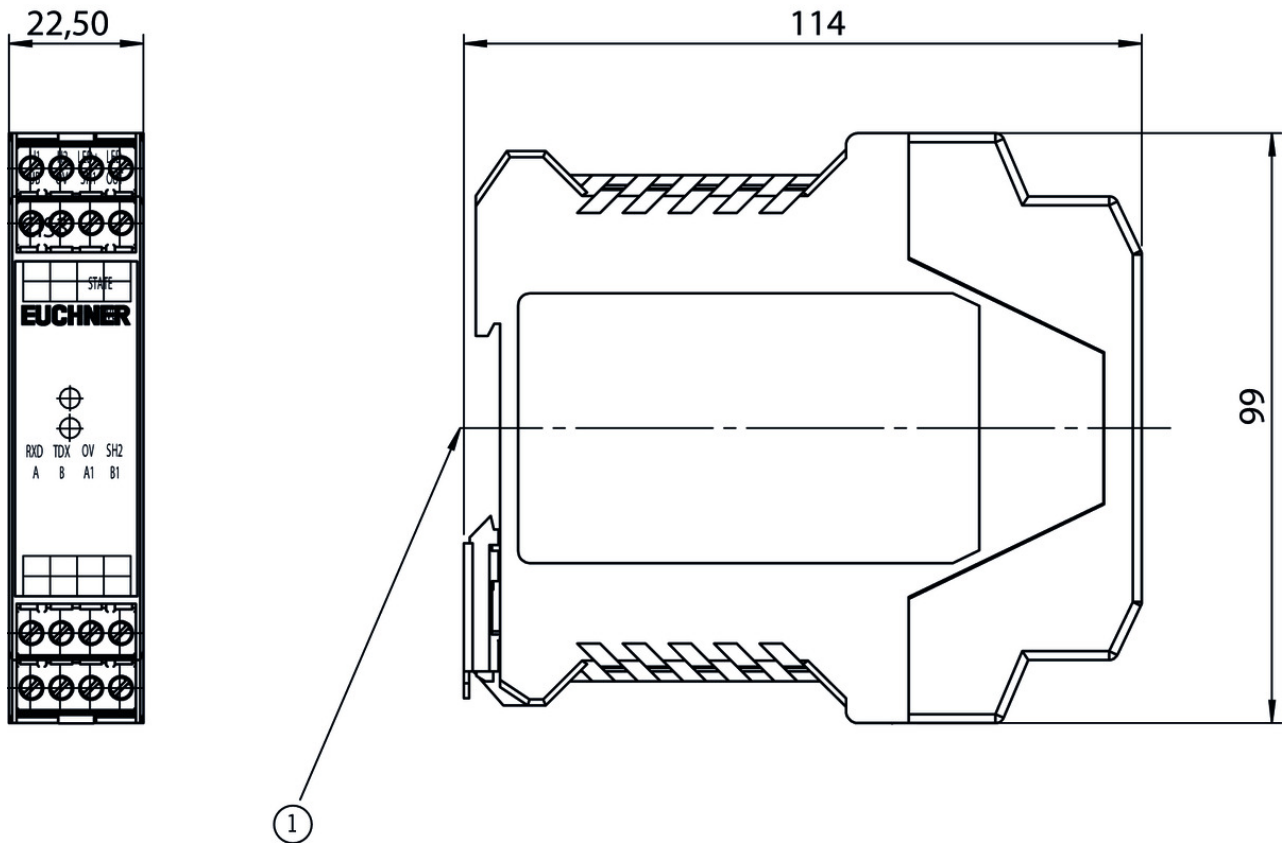
[1] For use and operation as per the UL requirements, a power supply with the feature "for use in class 2 circuits" must be used.

[2, 5] These values apply for the surface installation of the read head and the data carrier.

[3] These values apply for the surface installation of the read head and flush installation of the data carrier in iron.

[4] These values apply for the surface installation of the read head and flush installation of the data carrier in aluminum.

Dimension drawing



Legende

1 Suitable for 35 mm mounting rail according to DIN 46277

Terminal assignment power supply and interface

Bezeichnung	Beschreibung
0V/GND	Masse, DC 0 V
24 V/U _B	Spannungsversorgung, DC 24 V
A	Ausgang Datenleitung A
B	Ausgang Datenleitung B
C	Ausgang Datenleitung C
D	Ausgang Datenleitung D
SKIP	Eingang Datentakt
STROBE 1	Ausgang Datenträger aktiv
RST	Eingang RESET

Terminal assignment read head

Bezeichnung	Beschreibung	Aderfarbe
H1	Antenne vom Lesekopf	BN
H2	Antenne vom Lesekopf	WH
LED +	LED vom Lesekopf	YE
LED -	LED vom Lesekopf	GN
SH	Schirm vom Lesekopf	BK

Data carrier

Data carrier CIS3A-Mini



077785 CIS3AP10D05KH01K

Features

- › Cylindrical design Ø 10 mm
- › Unprogrammed



092320 CIS3AP10D05KH01K-P

Features

- › Cylindrical design Ø 10 mm
- › Programmed

Identification system

▼ Read-write head CIT3A Mini



077940 CIT3ASX1N12ST

▼ Features

- › Use with interface adapter CIA3...
 - › Cylindrical design M12
 - › M8 plug connector
 - › Axial connection
-

Connection material

▼ Connection cable with plug connector M8, 4-pin, 5m



084642 C-M08F04-04X025PV05,0-ES-084642

▼ Features

- › M8 female plug, 4-pin
 - › Straight plug connector
 - › PVC cable
 - › Cable length 5 m
 - › With flying lead
 - › Knurled nut electrically connected to cable screen
-

▼ Connection cable with plug connector M8, 4-pin, 2m



084641 C-M08F04-04X025PV02,0-ES-084641

▼ Features

- › M8 female plug, 4-pin
 - › Straight plug connector
 - › PVC cable
 - › Cable length 2 m
 - › With flying lead
 - › Knurled nut electrically connected to cable screen
-

▼ Connection cable with plug connector M8, 4-pin, 10m



084643 C-M08F04-04X025PV10,0-ES-084643

▼ Features

- › M8 female plug, 4-pin
 - › Straight plug connector
 - › PVC cable
 - › Cable length 10 m
 - › With flying lead
 - › Knurled nut electrically connected to cable screen
-

▼ Connection cable with plug connector M8, 4-pin, 15m

084644 C-M08F04-04X025PV15,0-ES-084644



Features

- › M8 female plug, 4-pin
- › Straight plug connector
- › PVC cable
- › Cable length 15 m
- › With flying lead
- › Knurled nut electrically connected to cable screen

Instructions

System - Manual Inductive Read/Write Identsystem CIS3A-Mini

	Doc. no.	Version	Language	Download
Handbuch Induktives Schreib-/Lesesystem CIS3A-Mini	084727	01-02/03		0.3 MB
System - Manual Inductive Read/Write Identsystem CIS3A-Mini	084727	01-02/03		0.3 MB

Catalogs

Système d'identification CIS Identsystem CIS Identification System CIS

	Doc. no.	Version	Language	Download
Identsystem CIS	076621	03-01/13		5.6 MB
Système d'identification CIS	110763	03-01/13		5.5 MB
Identification System CIS	076660	03-01/13		5.5 MB

Declaration of conformity

EC-Declaration of Conformity CIT3; CIA3; CIS3

	Doc. no.	Version	Language	Download
EG-Konformitätserklärung CIT3; CIA3; CIS3	077155	10-01/17		0.3 MB
EC-Declaration of Conformity CIT3; CIA3; CIS3				
CE-Declaración de Conformidad CIT3; CIA3; CIS3				
CE-Déclaration de Conformité CIT3; CIA3; CIS3				
CE-Dichiarazione di conformità CIT3; CIA3; CIS3				
EU-Konformitätserklärung	077155	10-01/17		0.3 MB
Declaración UE de conformidad				
Déclaration UE de conformité				
Dichiarazione di conformità				
EU declaration of conformity				