

ITEM 112207 EKS-A-IPLA-G01-ST05/04

Description	Technical data	Accessories	Downloads
-------------	----------------	-------------	-----------



Features

- › Electronic-Key adapter with 4-bit parallel interface
- › Simple connection
- › Read-only system
- › Electronic-Key adapter and evaluation electronics in one housing
- › Reliable retention of the Electronic-Key, even if there is heavy vibration
- › Internal evaluation of the data from the Electronic-Key
- › Output of the access level via 4-bit parallel interface
- › Has all operating states
- › Connection to PLC
- › Version FSA (For Safety Applications)

Approvals



Mechanical values and environment

Housing material	PA6-GF30 gray
Ambient temperature	-20 ... 70 °C
Degree of protection	IP67 in installed state (only access side)
Mounting method	On the front
Mounting cut-out according to DIN 43700	33 x 68 mm

Electrical connection ratings

LED indicator	Green	Operational
	Yellow	Key in operating distance
	Red	Fault
Connection cross-section	0,14 ... 1,5 mm ²	
Parameters for floating semiconductor switching contact LA		
Switching voltage	0 ... 24 ... 30 V	
Switching current	1 ... 10 ... 50 mA ^[1]	
Utilization category according to EN 60947-5-1	AC-15	24V 50mA
	AC-12	24V 50mA
	DC-12	24V 50mA
Utilization category according to EN 60947-5-2	DC-13	24V 50mA
Interface and signaling		
Switching voltage	U _B -2 ... U _B V	
Switching current	1 ... 10 ... 50 mA	
Power supply		
Operating voltage DC	9 ... 24 ... 28 V DC ^[2]	
Current consumption	max.70 mA	

Interface, bus

Interface and signaling	
Data interface	4-bit parallel plus strobe, binary coded via High/Low level

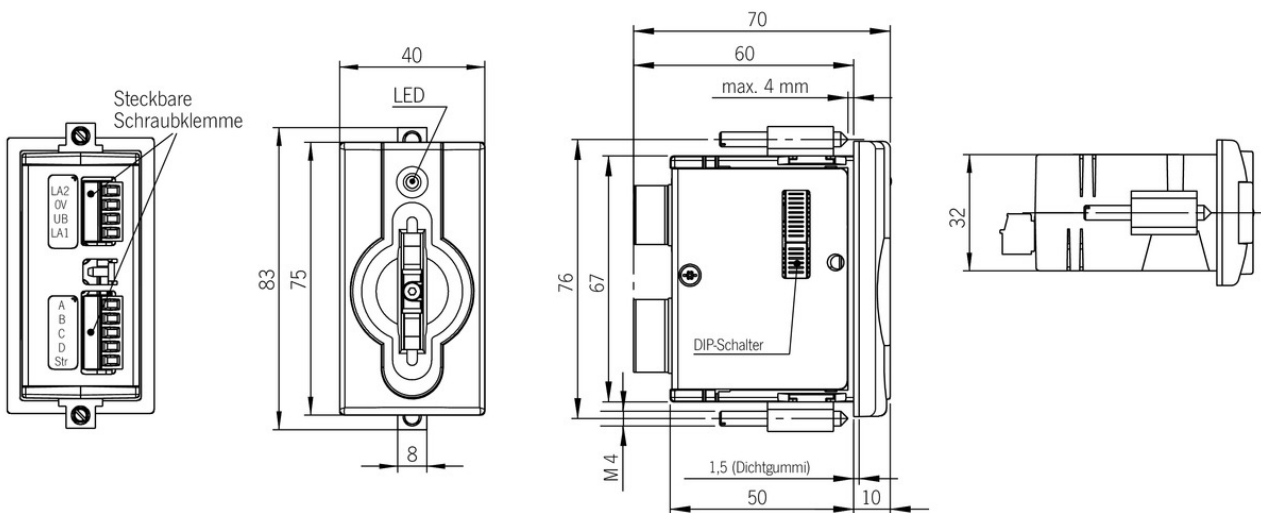
Miscellaneous

Parameters for floating semiconductor switching contact LA	
Additional feature	Resistance in switched-on state in Ohm 35

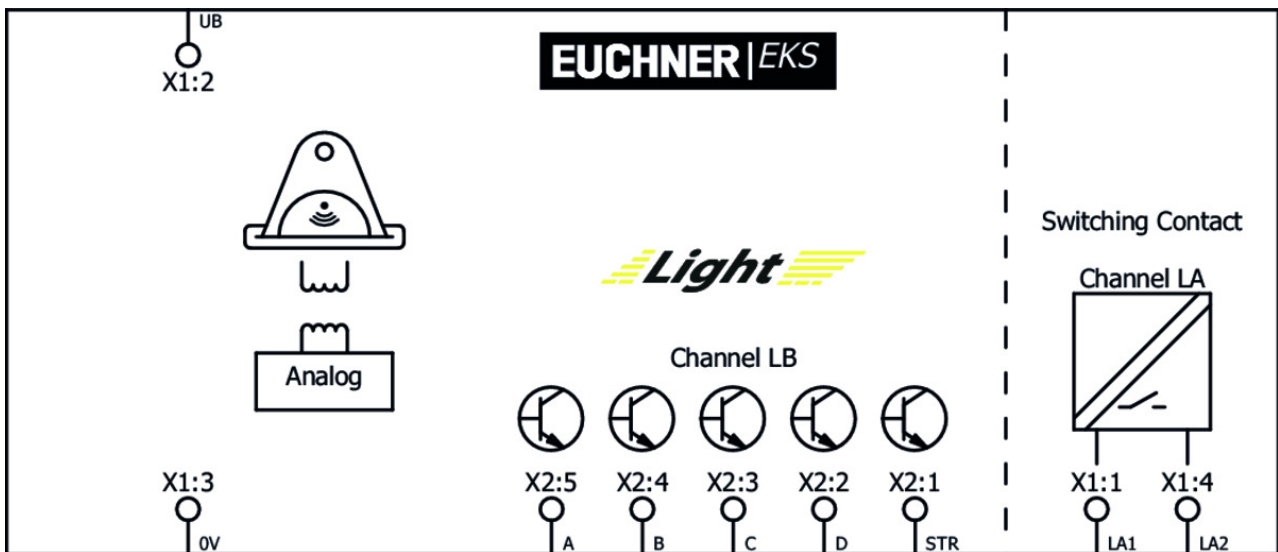
[1] Function description of the overload protection in the Electronic-Key adapter manual, order No. 110845

[2] For use and operation as per the UL requirements, a power supply with the feature "for use in class 2 circuits" must be used.

Dimension drawing



Block diagram



Electronic-Key

✓ Electronic-Key read/write



094839 EKS-A-K1GNWT32-EU

✓ Features

- › Memory 116 bytes E²PROM (programmable) plus 8 bytes ROM (serial number)



094840 EKS-A-K1YEWT32-EU

✓ Features

- › Memory 116 bytes E²PROM (programmable) plus 8 bytes ROM (serial number)



077859 EKS-A-K1RDWT32-EU

✓ Features

- › Memory 116 bytes E²PROM (programmable) plus 8 bytes ROM (serial number)



084735 EKS-A-K1BKWT32-EU

✓ Features

- › Memory 116 bytes E²PROM (programmable) plus 8 bytes ROM (serial number)



091045 EKS-A-K1BUWT32-EU

✓ Features

- › Memory 116 bytes E²PROM (programmable) plus 8 bytes ROM (serial number)



123097 EKS-A-K1WHWT32-EU

✓ Features

- › Memory 116 bytes E²PROM (programmable) plus 8 bytes ROM (serial number)



123098 EKS-A-K1OGWT32-EU

✓ Features

- › Memory 116 bytes E²PROM (programmable) plus 8 bytes ROM (serial number)

Instructions

- ✓ Handbuch EKS Light und Light FSA

	Doc. no.	Version	Language	Download
Handbuch EKS Light und Light FSA	110845	04-03/12		2.4 MB
Manual EKS Light and Light FSA	110845	04-03/12		2.4 MB

Catalogs

▼ Electronic-Key-System EKS Electronic-Key-System EKS Electronic-Key-System EKS Electronic-Key-System EKS

	Doc. no.	Version	Language	Download
Electronic-Key-System EKS	086808	14-04/17		3.2 MB
Electronic-Key-System EKS	092953	14-04/17		3.2 MB
Electronic-Key-System EKS	114432	14-04/17		3.2 MB
Electronic-Key-System EKS	086809	14-04/17		3.2 MB

Application example

▼ EKS Light FSA an Siemens S7-300 – Betriebsartenwahl mit Touchscreen

	Doc. no.	Version	Language	Download
EKS Light FSA an Siemens S7-300 – Betriebsartenwahl mit Touchscreen	AP000200	01-08/16		2.0 MB
EKS Light FSA on Siemens S7-300 – operation mode selection with touchscreen	AP000200	01-08/16		1.7 MB

▼ EKS Light FSA an Siemens S7-300 – Betriebsartenwahl mit Touchscreen – praktische Umsetzung

	Doc. no.	Version	Language	Download
EKS Light FSA an Siemens S7-300 – Betriebsartenwahl mit Touchscreen – praktische Umsetzung	AP000200-2	01-06/18		0.9 MB
EKS Light FSA on Siemens S7-300 – selection of operating mode using touchscreen – practical implementation	AP000200-2	01-06/18		2.8 MB

▼ Untersuchungsbericht IFA - Verfahren zur Realisierung der Betriebsartenwahl an Maschinen unter Nutzung des EKS light FSA als Zugangssystem

	Doc. no.	Version	Language	Download
Untersuchungsbericht IFA - Verfahren zur Realisierung der Betriebsartenwahl an Maschinen unter Nutzung des EKS light FSA als Zugangssystem	AP000200-IFA	01-07/16		0.5 MB
RESEARCH REPORT IFA - Procedure for operation mode selection on machines using the EKS light FSA as an access system	AP000200-IFA	01-07/16		0.6 MB

Declaration of conformity

▼ EU-Konformitätserklärung

	Doc. no.	Version	Language	Download
EU-Konformitätserklärung Declaración UE de conformidad Déclaration UE de conformité Dichiarazione di conformità EU declaration of conformity	2093140	07-01/17	 	0.3 MB

CAD data

CAD data for this item on TraceParts