

ITEM 113647 EKS-A-APR-G08

Description	Technical data	Accessories	Downloads
-------------	----------------	-------------	-----------



Features

- › Interface adapter with 4-bit parallel interface
- › Usage in conjunction with Electronic-Key adapter FHM
- › A complete read-only system consists of an Electronic-Key adapter FHM and a modular interface adapter
- › Simple connection
- › Read-only system
- › Internal evaluation of the data from the Electronic-Key
- › Output of the access level via 4-bit parallel interface
- › Has all operating states
- › Connection to PLC

Approvals



Mechanical values and environment

Housing material	PA6.6 gray
Ambient temperature	$U_B = 24 \text{ V DC}$ 0 ... 55 °C
Mounting method	Mounting rail 35mm according to DIN EN 60715 TH35
Number of read heads	max.1
Connection	Plug-in screw terminal

Electrical connection ratings

LED indicator	Green	Operational
	Yellow	Key in the operating distance
	Red	Fault
Connection cross-section	0,14 ... 2,5 mm ²	
	Power supply	
Operating voltage DC	9 ... 24 ... 28 V DC ^[1]	
Current consumption	max.70 mA	
	Interface and signaling	
Switching voltage	$U_B - 2 \dots U_B \text{ V}$	
Switching current	1 ... 10 ... 50 mA	

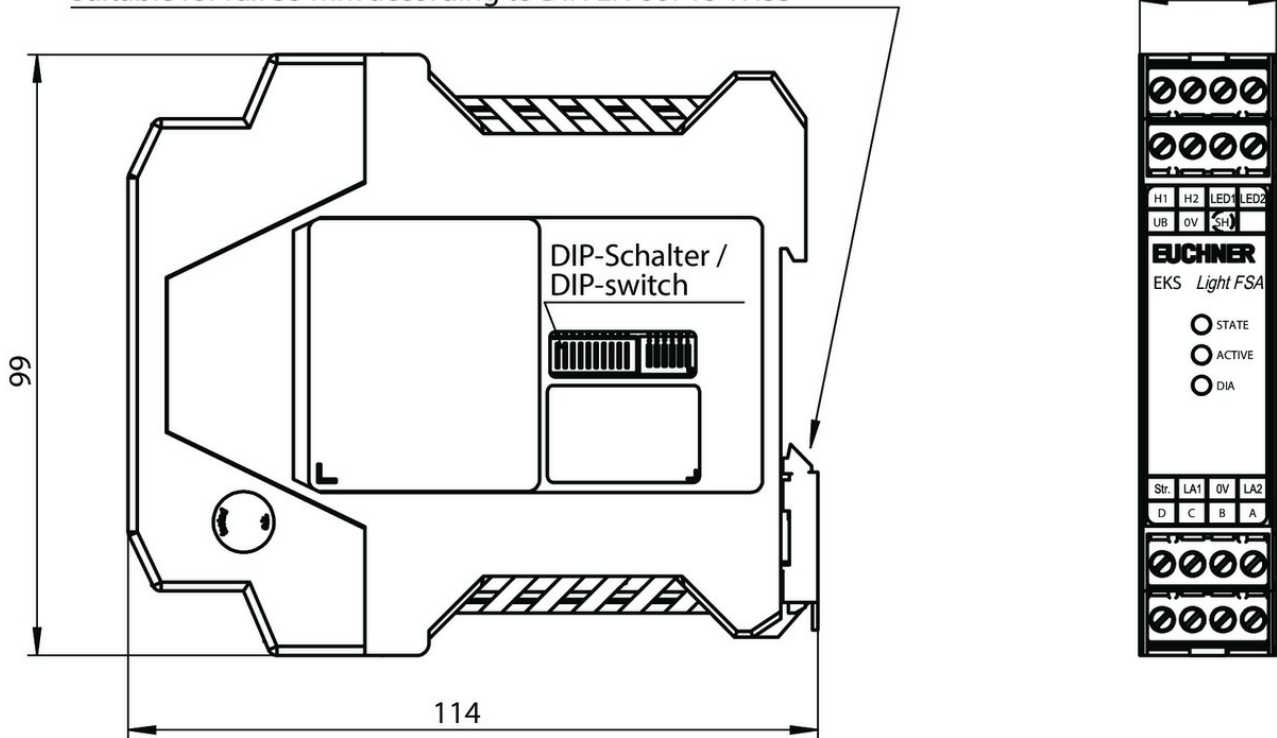
Interface, bus

	Interface and signaling
Data interface	4-bit parallel plus strobe, binary coded via High/Low level

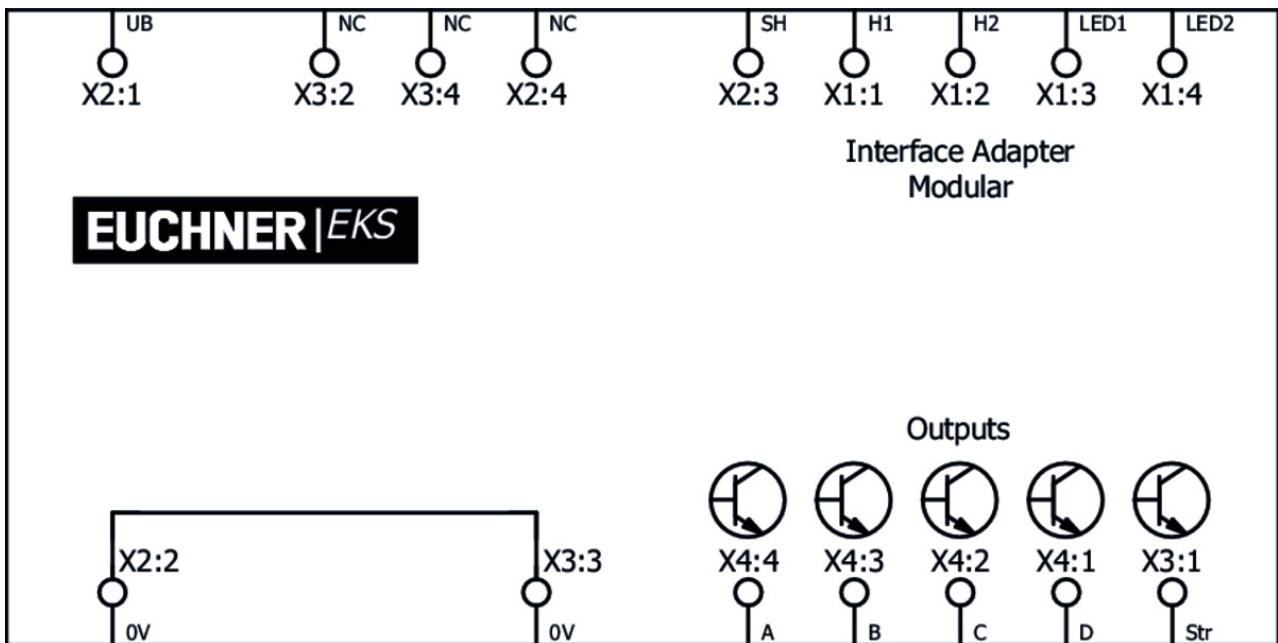
^[1] For use and operation as per the UL requirements, a power supply with the feature "for use in class 2 circuits" must be used.

Dimension drawing

passend für Hutschiene 35 mm nach DIN EN 60715 TH35 /
suitable for rail 35 mm according to DIN EN 60715 TH35



Block diagram



Electronic-Key

- Electronic-Key read/write



077859 EKS-A-K1RDWT32-EU

- Features

- › Memory 116 bytes E²PROM (programmable) plus 8 bytes ROM (serial)

number)



091045 EKS-A-K1BUWT32-EU

✓ Features

- › Memory 116 bytes E²PROM (programmable) plus 8 bytes ROM (serial number)



094839 EKS-A-K1GNWT32-EU

✓ Features

- › Memory 116 bytes E²PROM (programmable) plus 8 bytes ROM (serial number)



123097 EKS-A-K1WHWT32-EU

✓ Features

- › Memory 116 bytes E²PROM (programmable) plus 8 bytes ROM (serial number)



123098 EKS-A-K1OGWT32-EU

✓ Features

- › Memory 116 bytes E²PROM (programmable) plus 8 bytes ROM (serial number)



084735 EKS-A-K1BKWT32-EU

✓ Features

- › Memory 116 bytes E²PROM (programmable) plus 8 bytes ROM (serial number)



094840 EKS-A-K1YEWT32-EU

✓ Features

- › Memory 116 bytes E²PROM (programmable) plus 8 bytes ROM (serial number)

Electronic-Key-System

- ✓ Electronic-Key adapter EKS Front hook modular FHM, with flying lead



106585 EKS-A-SFH-G30-2000

✓ Features

- › Small design for installations where there is little space
- › Installation in standard assembly hole Ø 22.5 mm
- › Closed design, rounded contours for hygienic areas
- › Plastic with high resistance to media
- › IP 69K
- › Cable 2 m with flying lead

- ✓ Electronic-Key adapter EKS Front hook modular FHM, with M8 male plug

116118 EKS-A-SFH-G30-ST150



Features

- › Small design for installations where there is little space
- › Installation in standard assembly hole Ø 22.5 mm
- › Closed design, rounded contours for hygienic areas
- › Plastic with high resistance to media
- › IP 69K
- › Cable 0.13 m with M8 male plug

Instructions

Handbuch EKS Light und Light FSA

	Doc. no.	Version	Language	Download
Handbuch EKS Light und Light FSA	110845	04-03/12		2.4 MB
Manual EKS Light and Light FSA	110845	04-03/12		2.4 MB

Catalogs

Electronic-Key-System EKS Electronic-Key-System EKS Electronic-Key-System EKS Electronic-Key-System EKS

	Doc. no.	Version	Language	Download
Electronic-Key-System EKS	086808	14-04/17		3.2 MB
Electronic-Key-System EKS	092953	14-04/17		3.2 MB
Electronic-Key-System EKS	114432	14-04/17		3.2 MB
Electronic-Key-System EKS	086809	14-04/17		3.2 MB

Application example

EKS Light Betriebsartenwahl mit Tasten

	Doc. no.	Version	Language	Download
EKS Light Betriebsartenwahl mit Tasten	AP000225	02-06/17		0.8 MB
EKS Light Selection of Operating Mode with Pushbuttons	AP000225	02-06/17		0.9 MB

Declaration of conformity

EU-Konformitätserklärung

	Doc. no.	Version	Language	Download
EU-Konformitätserklärung	2093140	07-01/17		0.3 MB
Declaración UE de conformidad				
Déclaration UE de conformité				
Dichiarazione di conformità				
EU declaration of conformity				