

## ITEM 113665 EKS-A-APB-G08

Description	Technical data	Accessories	Downloads
-------------	----------------	-------------	-----------



### Features

- › Interface adapter with 4-bit parallel interface
- › Usage in conjunction with Electronic-Key adapter FHM
- › A complete read-only system consists of an Electronic-Key adapter FHM and a modular interface adapter
- › Simple connection
- › Read-only system
- › Internal evaluation of the data from the Electronic-Key
- › Output of the access level via 4-bit parallel interface
- › Only operating state 0
- › Connection to PLC

### Approvals



### Mechanical values and environment

Housing material	PA6.6 gray
Ambient temperature	0 ... 55 °C
Mounting method	Mounting rail 35mm according to DIN EN 60715 TH35
Number of read heads	max.1
Connection	Plug-in screw terminal

### Electrical connection ratings

Connection cross-section	0,14 ... 2,5 mm <sup>2</sup>
LED indicator	
	Green Operational
	Yellow Key in the operating distance
	Red Fault
	<b>Power supply</b>
Operating voltage DC	9 ... 24 ... 28 V DC <sup>[1]</sup>
Current consumption	max.70 mA
	<b>Interface and signaling</b>
Switching voltage	U <sub>B</sub> -2 ... U <sub>B</sub> V
Switching current	1 ... 10 mA 50 mA High signal

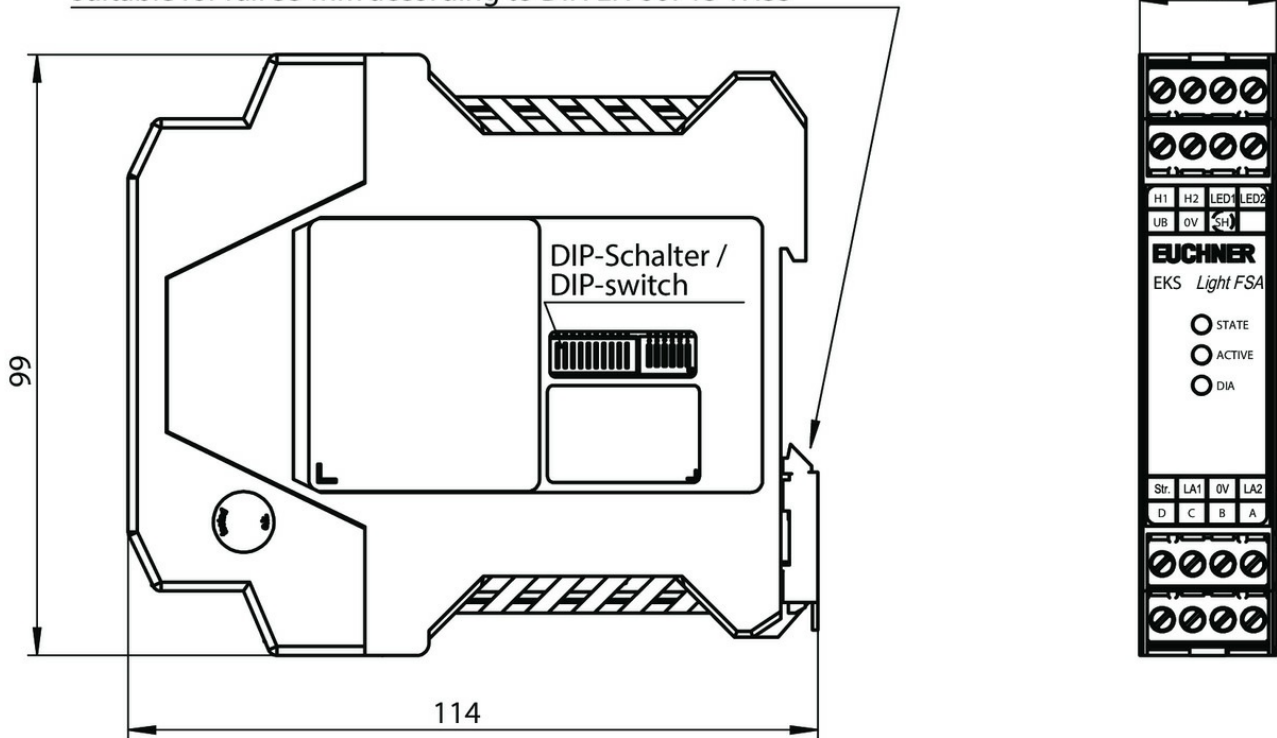
### Interface, bus

	<b>Interface and signaling</b>
Data interface	4-bit parallel plus strobe, binary coded via High/Low level

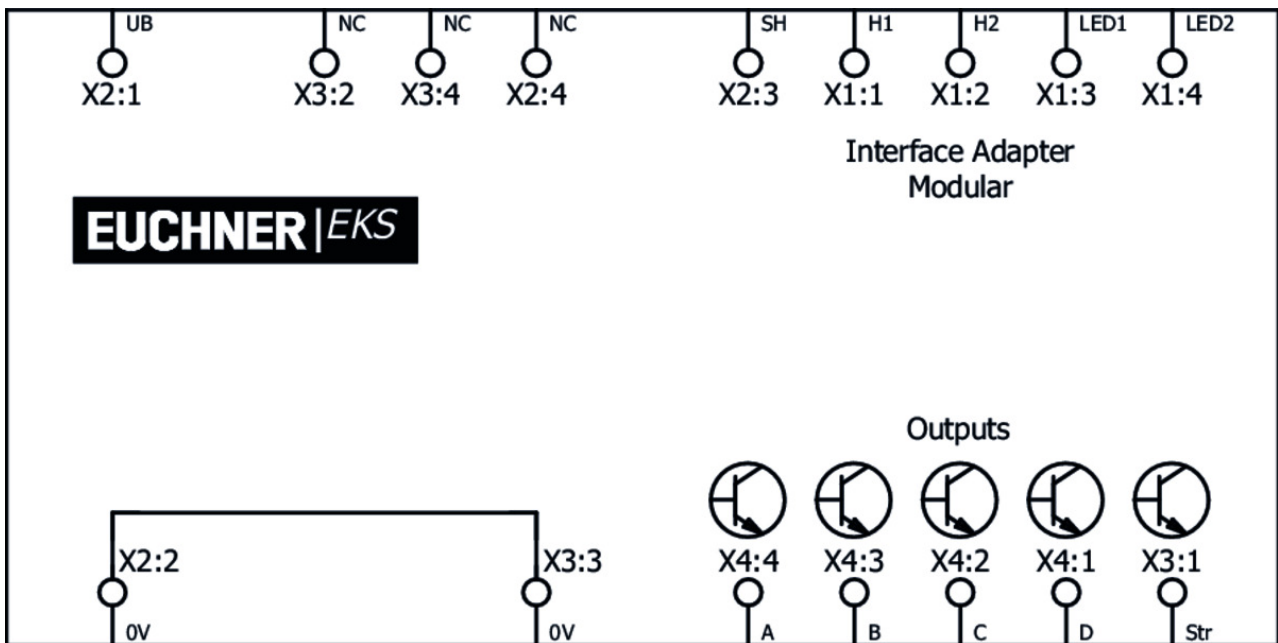
<sup>[1]</sup> For use and operation as per the UL requirements, a power supply with the feature "for use in class 2 circuits" must be used.

## Dimension drawing

passend für Hutschiene 35 mm nach DIN EN 60715 TH35 /  
suitable for rail 35 mm according to DIN EN 60715 TH35



## Block diagram



## Electronic-Key

- Electronic-Key read/write



**077859** EKS-A-K1RDWT32-EU

- Features

- › Memory 116 bytes E<sup>2</sup>PROM (programmable) plus 8 bytes ROM (serial)

number)



**084735** EKS-A-K1BKWT32-EU

✓ Features

- › Memory 116 bytes E<sup>2</sup>PROM (programmable) plus 8 bytes ROM (serial number)



**091045** EKS-A-K1BUWT32-EU

✓ Features

- › Memory 116 bytes E<sup>2</sup>PROM (programmable) plus 8 bytes ROM (serial number)



**094839** EKS-A-K1GNWT32-EU

✓ Features

- › Memory 116 bytes E<sup>2</sup>PROM (programmable) plus 8 bytes ROM (serial number)



**123098** EKS-A-K1OGWT32-EU

✓ Features

- › Memory 116 bytes E<sup>2</sup>PROM (programmable) plus 8 bytes ROM (serial number)



**094840** EKS-A-K1YEWT32-EU

✓ Features

- › Memory 116 bytes E<sup>2</sup>PROM (programmable) plus 8 bytes ROM (serial number)



**123097** EKS-A-K1WHWT32-EU

✓ Features

- › Memory 116 bytes E<sup>2</sup>PROM (programmable) plus 8 bytes ROM (serial number)

## Electronic-Key-System

- ✓ Electronic-Key adapter EKS Front hook modular FHM, with flying lead



**106585** EKS-A-SFH-G30-2000

✓ Features

- › Small design for installations where there is little space
- › Installation in standard assembly hole Ø 22.5 mm
- › Closed design, rounded contours for hygienic areas
- › Plastic with high resistance to media
- › IP 69K
- › Cable 2 m with flying lead

- ✓ Electronic-Key adapter EKS Front hook modular FHM, with M8 male plug

**116118** EKS-A-SFH-G30-ST150



### Features

- › Small design for installations where there is little space
- › Installation in standard assembly hole Ø 22.5 mm
- › Closed design, rounded contours for hygienic areas
- › Plastic with high resistance to media
- › IP 69K
- › Cable 0.13 m with M8 male plug

## Instructions

### Manual EKS Light and Light FSA

	Doc. no.	Version	Language	Download
Handbuch EKS Light und Light FSA	110845	04-03/12		2.4 MB
Manual EKS Light and Light FSA	110845	04-03/12		2.4 MB

## Catalogs

### Electronic-Key-System EKS Electronic-Key-System EKS Electronic-Key-System EKS Electronic-Key-System EKS

	Doc. no.	Version	Language	Download
Electronic-Key-System EKS	086808	14-04/17		3.2 MB
Electronic-Key-System EKS	092953	14-04/17		3.2 MB
Electronic-Key-System EKS	114432	14-04/17		3.2 MB
Electronic-Key-System EKS	086809	14-04/17		3.2 MB

## Declaration of conformity

### EU-Konformitätserklärung

	Doc. no.	Version	Language	Download
EU-Konformitätserklärung	2093140	07-01/17		0.3 MB
Declaración UE de conformidad				
Déclaration UE de conformité				
Dichiarazione di conformità				
EU declaration of conformity				