

## ITEM 057736 RIEGEL TZ-A

Description	Technical data	Accessories	Downloads
-------------	----------------	-------------	-----------



### Features

- › Steel bolt
- › For doors hinged on the right
- › Can be locked in open position with padlocks
- › Actuator and switch bracket included

### Advantages

- › Robust construction
- › Easily fitted to standard aluminum profiles and machine covers by screw connection
- › Distinctive yellow color for easy recognition
- › No additional door handle necessary

### Special features

- › Easy to use

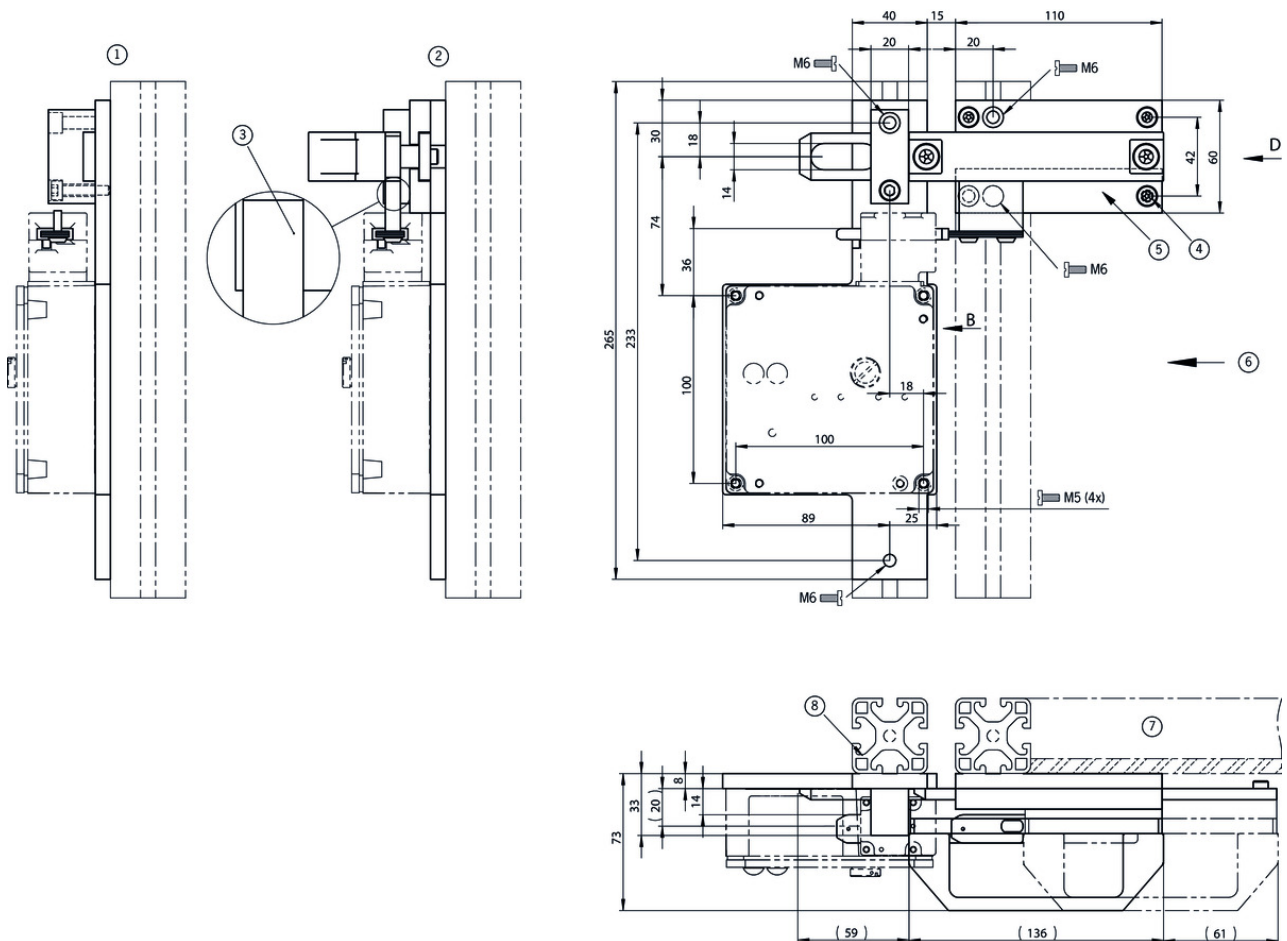
## Mechanical values and environment

Material		
	Handle	Plastic
	Guide strips	Plastic
	Base plate	Galvanized steel
	Switch bracket	Steel powder-coated
Weight		
	Net	2,5 kg
Escape release		No
Number of safety switches that can be fitted		1

## Miscellaneous

Detent mechanism		No
------------------	--	----

## Dimension drawing



## Legende

- 1 View B
- 2 View D
- 3 Metal sleeve
- 4 Stop screw locked
- 5 Attention! Bolt is not allowed to be used in conjunction with an escape release!
- 6 Safety switch TZ approach direction A
- 7 Door hinged on the right
- 8 Safety guard frame (40x40)

## Spare parts

- ✓ Replacement handle for EUCHNER bolts



**093500** RIEGELGRIFF/V5

- ✓ Features

- › Material: plastic, reinforced polypropylene (PP)
- › Color: black, mat
- › Temperature resistance up to 100 °C

› Packaging unit 5 pieces

▼ Replacement bolt slider for EUCHNER bolt TZ-A



**116561** RIEGELSCHIEBER/BOLT SLIDE TZ-A

▼ Features

- › Replacement bolt slider made of steel
- › Actuator included

## Function expansion

▼ Adapter NZ/TZ 45/30



**079033** ADAPTER NZ/TZ 45/30

▼ Features

- › The adapter NZ/TZ 45/30 is used to compensate for different profiles, doors/frame 45/30

## Catalogs

▼ Sicherheitsschalter mit Metallgehäuse Safety Switches with Metal Housing Bezpečnostní spínače s kovovým pouzdrém Interrupteurs de sécurité avec boîtier métallique 金属壳体的安全开关 Interruptores de seguridad con carcasa metálica

	Doc. no.	Version	Language	Download
Sicherheitsschalter mit Metallgehäuse	100319	11-03/18		7.9 MB
Interrupteurs de sécurité avec boîtier métallique	100676	11-03/18		7.9 MB
Interruptores de seguridad con carcasa metálica	104856	11-03/18		14.0 MB
Safety Switches with Metal Housing	100369	11-03/18		7.9 MB
Bezpečnostní spínače s kovovým pouzdrém	121650	11-03/18		7.9 MB
金属壳体的安全开关	102453	11-03/18		8.2 MB

## CAD data

CAD data for this item on TraceParts