

## ITEM 076199 RIEGEL TZ-CF

| Description | Technical data | Accessories | Downloads |
|-------------|----------------|-------------|-----------|
|-------------|----------------|-------------|-----------|



### Features

- › Steel bolt
- › For doors hinged on the left
- › Escape release
- › Lever for escape release from the danger area
- › Detent knob in open position
- › Can be locked in open position with padlocks
- › Actuator and switch bracket included

### Advantages

- › Robust construction
- › Easily fitted to standard aluminum profiles and machine covers by screw connection
- › Distinctive yellow color for easy recognition
- › No additional door handle necessary

### Special features

- › Bolt with detent mechanism
- › The bolt latches in open position to prevent unintentional closing of the bolt.

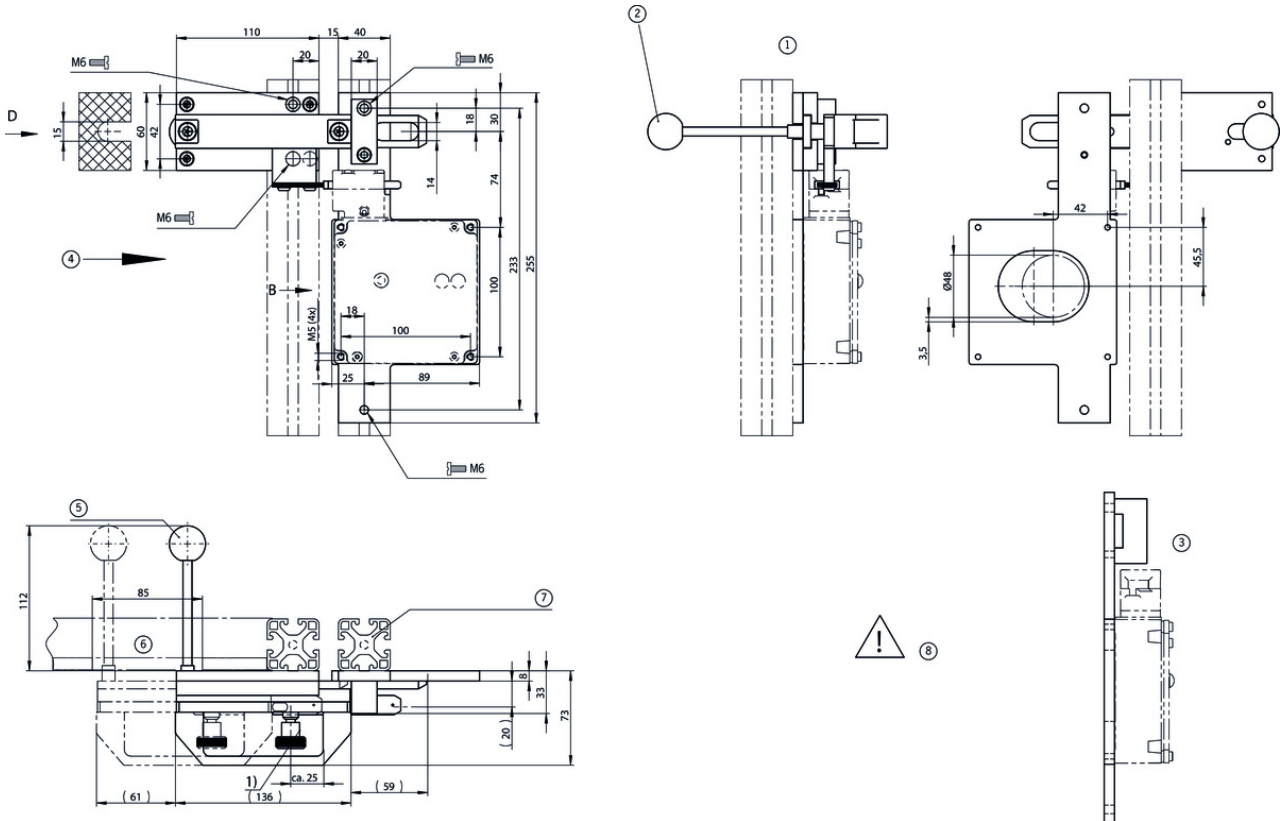
## Mechanical values and environment

|  |                |                     |
|--|----------------|---------------------|
| Material                                     |                |                     |
|  | Handle         | Plastic             |
|  | Guide strips   | Plastic             |
|  | Base plate     | Galvanized steel    |
|  | Switch bracket | Steel powder-coated |
| Weight                                       |                |                     |
|  | Net            | 2,5 kg              |
| Escape release                               |                | Yes                 |
| Number of safety switches that can be fitted |                | 1                   |

## Miscellaneous

|                  |               |                       |
|------------------|---------------|-----------------------|
| Detent mechanism |               |                       |
|                  | Open position | Bolt detent mechanism |

## Dimension drawing



## Legende

- 1 View D
- 2 Escape release
- 3 View B
- 4 Safety switch TZ approach direction C
- 5 Included loose
- 6 Door hinged on the left
- 7 Safety guard frame 40x40
- 8 On the actuation of the escape release for the switch, the actuator must not be subjected to a tensile load (e.g. due to strain on the doors or pulling the lever on the bolt).
- 1) Bolt with detent mechanism: Latches in open position (Prevents unintentional closing of the bolt). Unlocked by pulling the detent knob upward.

## Spare parts

- ☑ Replacement handle for EUCHNER bolts



**093500** RIEGELGRIFF/V5

- ☑ Features

- › Material: plastic, reinforced polypropylene (PP)
- › Color: black, mat
- › Temperature resistance up to 100 °C

- › Packaging unit 5 pieces
- 

## Function expansion

---

### ▼ Adapter NZ/TZ 45/30



#### **079033** ADAPTER NZ/TZ 45/30

##### ▼ Features

- › The adapter NZ/TZ 45/30 is used to compensate for different profiles, doors/frame 45/30
- 

## CAD data

CAD data for this item on TraceParts