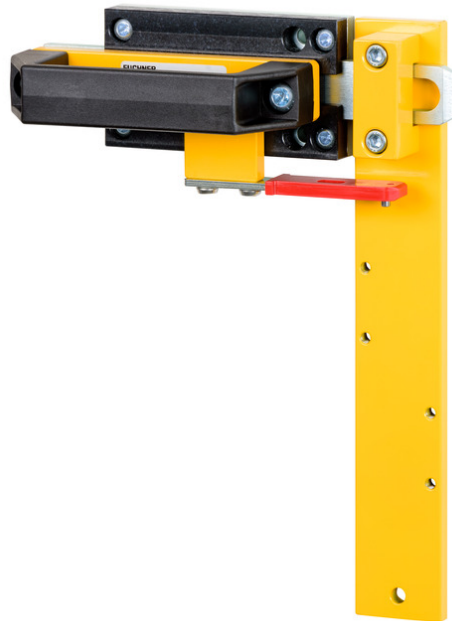


ITEM 078452 RIEGEL NZ-CF

Description	Technical data	Accessories	Downloads
-------------	----------------	-------------	-----------



Features

- › Steel bolt
- › For doors hinged on the left
- › Lever for escape release from the danger zone
- › Detent knob in open position
- › Can be locked in open position with padlocks
- › Actuator and switch bracket included

Advantages

- › Robust construction
- › Easily fitted to standard aluminum profiles and machine covers by screw connection
- › Distinctive yellow color for easy recognition
- › No additional door handle necessary

Special features

- › Bolt with detent mechanism
 - › The bolt latches in open position to prevent unintentional closing of the bolt

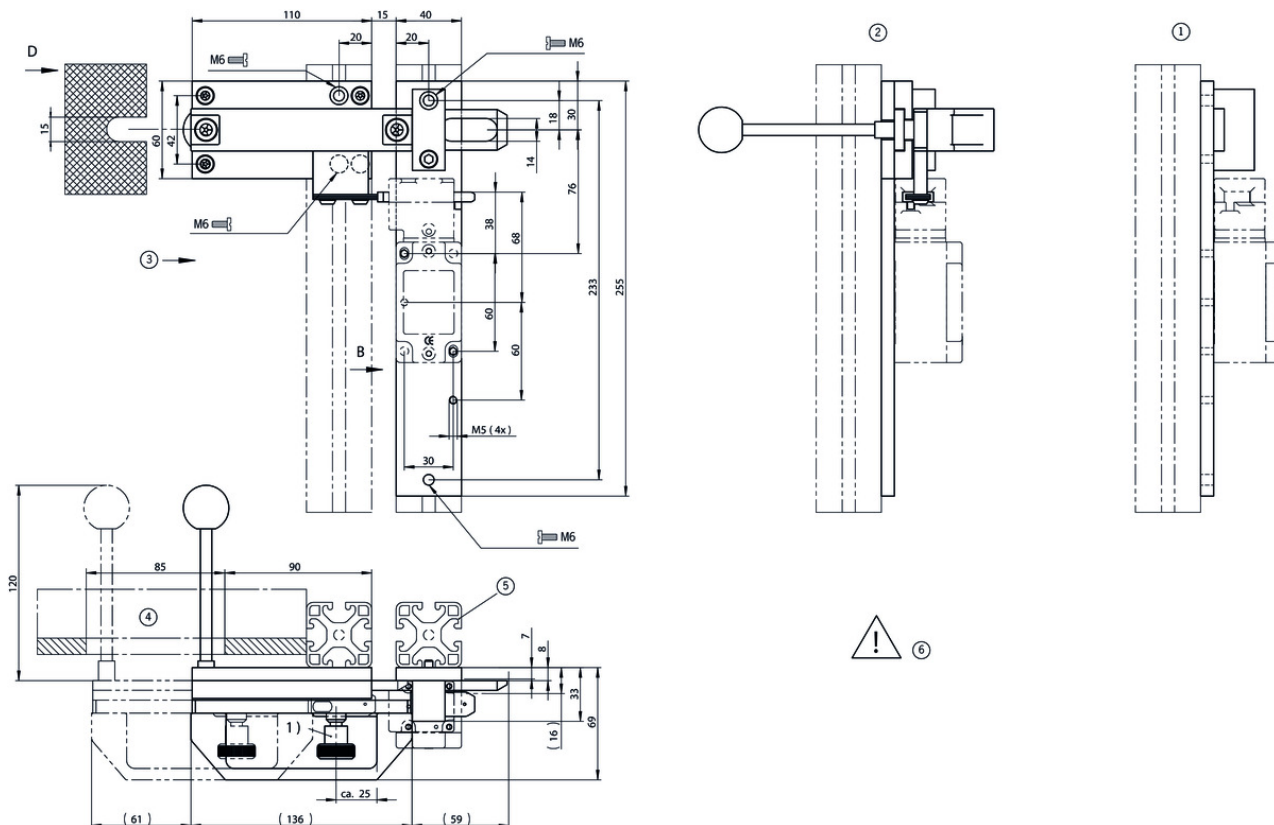
Mechanical values and environment

Material		
	Handle	Plastic
	Guide strips	Plastic
	Base plate	Galvanized steel
	Switch bracket	Steel powder-coated
Weight		
	Net	1,75 kg
Escape release		Yes
Number of safety switches that can be fitted		1

Miscellaneous

Detent mechanism		
	Open position	Bolt detent mechanism

Dimension drawing



Legende

- 1 View B
- 2 View D
- 3 Safety switch NZ approach direction A
- 4 Door hinged on the left
- 5 Safety guard frame (40x40)
- 6 On the actuation of the escape release for the switch, the actuator must not be subjected to a tensile load (e.g. due to strain on the doors or pulling the lever for the bolt)
- 1) Bolt with detent mechanism. Engages in open position. (Prevents unintentional closing of the bolt) Unlocked by pulling the detent knob upward.

Spare parts

- ▼ Replacement handle for EUCHNER bolts



093500 RIEGELGRIFF/V5

▼ Features

- Material: plastic, reinforced polypropylene (PP)
- Color: black, mat
- Temperature resistance up to 100 °C
- Packaging unit 5 pieces

Function expansion

▼ Adapter NZ/TZ 45/30



079033 ADAPTER NZ/TZ 45/30

▼ Features

- › The adapter NZ/TZ 45/30 is used to compensate for different profiles, doors/frame 45/30

Catalogs

- ▼ Sicherheitsschalter mit Metallgehäuse Safety Switches with Metal Housing Bezpečnostní spínače s kovovým pouzdem Interrupteurs de sécurité avec boîtier métallique 金属壳体 的安全开关 Interruptores de seguridad con carcasa metálica

	Doc. no.	Version	Language	Download
Sicherheitsschalter mit Metallgehäuse	100319	11-03/18		7.9 MB
Interrupteurs de sécurité avec boîtier métallique	100676	11-03/18		7.9 MB
Interruptores de seguridad con carcasa metálica	104856	11-03/18		14.0 MB
Safety Switches with Metal Housing	100369	11-03/18		7.9 MB
Bezpečnostní spínače s kovovým pouzdem	121650	11-03/18		7.9 MB
金属壳体 的安全开关	102453	11-03/18		8.2 MB

CAD data

CAD data for this item on TraceParts