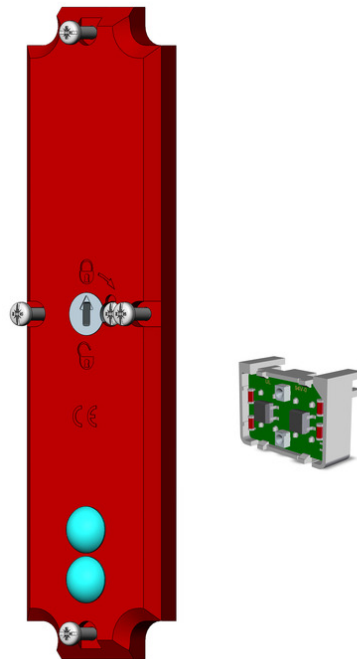


## ITEM 093752 TP LED SET

Description	Technical data	Accessories	Downloads
-------------	----------------	-------------	-----------



### Features

- › LED set

Consisting of cover with lamp caps, LED module with rectifier and two LEDs (green/ red). For retrofitting safety switches TP with an LED indicator. Operating voltage AC/DC 24 V +10%, -15%.

### Approvals

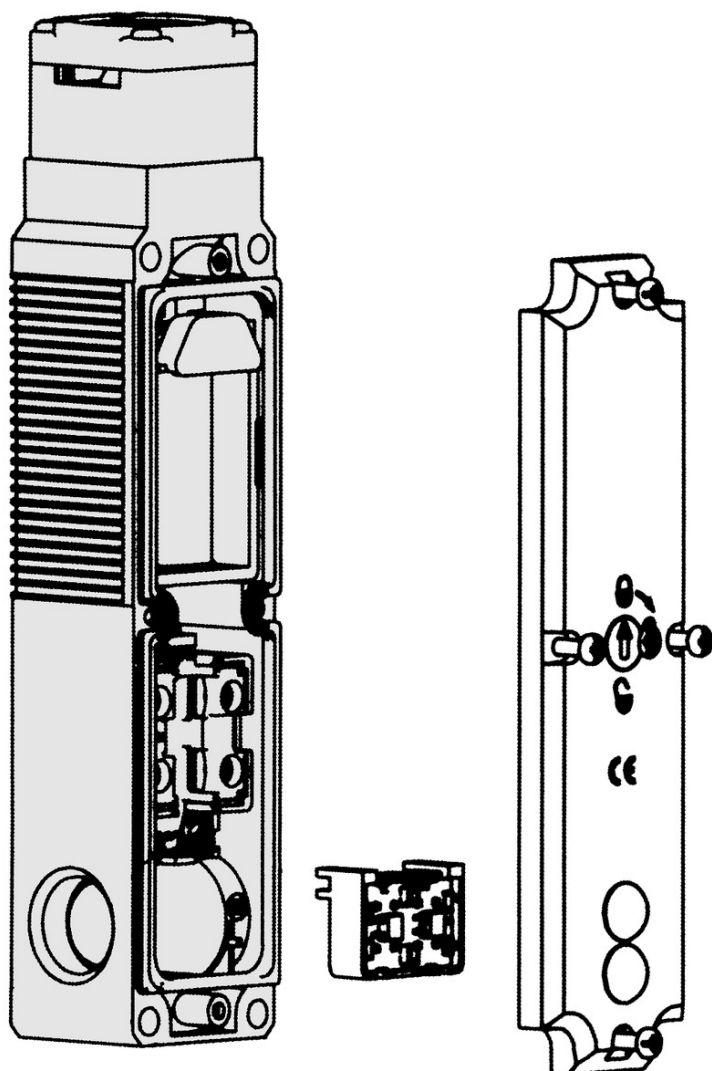


### Electrical connection ratings

Operating voltage	LED	AC/DC 24 <sup>[1]</sup>
LED indicator		2 LED, red and green
Display module		24 V -15% ... +10%

[1] LED with rectifier





## Dimension drawing



## Catalogs

✓ Bezpečnostní spínače s plastovým pouzdrém Sicherheitsschalter mit Kunststoffgehäuse Safety Switches with Plastic Housing Interruptores de seguridad con carcasa plástica Interrupteurs de sécurité avec boîtier plastique 塑料壳体 的安全开关

	Doc. no.	Version	Language	Download
Sicherheitsschalter mit Kunststoffgehäuse	096955	11-03/18		 6.6 MB
Interrupteurs de sécurité avec boîtier plastique	100677	11-03/18		 6.6 MB
Interruptores de seguridad con carcasa plástica	104855	11-03/18		 6.6 MB
Bezpečnostní spínače s plastovým pouzdrém	121649	11-03/18		 6.6 MB

Safety Switches with Plastic Housing	096956	11-03/18		 6.6 MB
塑料壳体 的安全开关	116243	11-03/18		 6.2 MB