

ITEM 094805 CEM-A-BE05

Description	Technical data	Accessories	Downloads
-------------	----------------	-------------	-----------



Features

- › Locking force 500 N
- › Two safety screws M5x16 included

Approvals

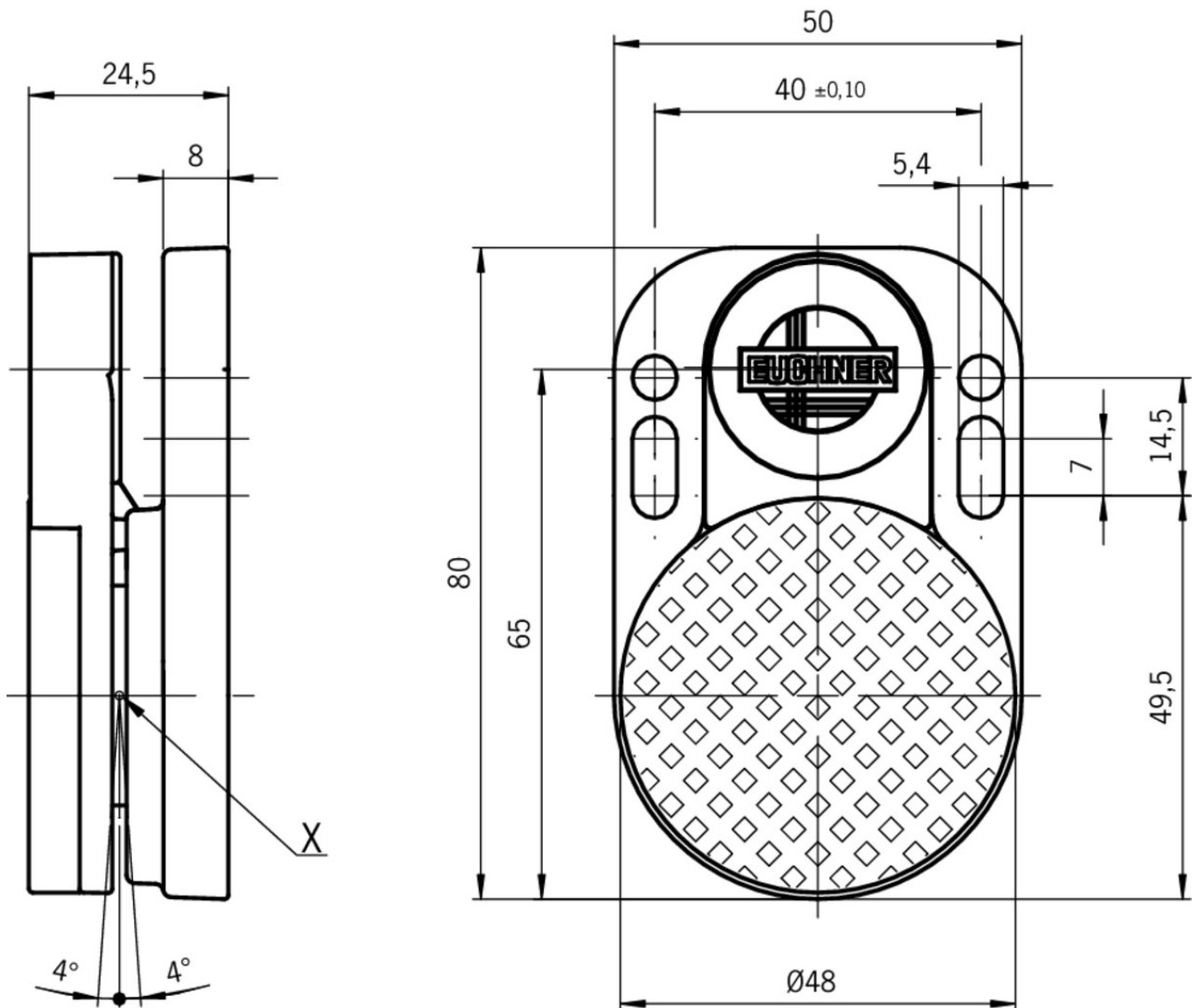


Mechanical values and environment

Material	Anchor plate	Steel, nickel-plated
	Actuator installed	Plastic (PPS)
Housing material		Die-cast aluminum
Weight	Net	0,18 kg

Ambient temperature	-25 ... 50 °C
Degree of protection	IP67
Installation position	Active face opposite read head
Angle offset	-4 ... +4 °
Method of operation	Inductive

Dimension drawing



Mounting accessories

✓ Safety screws for actuators, M5 x 16

073456 M5X16/V100

✓ Features

- › Safety screws M5 x 16
- › Packaging unit 100 pieces

▼ Mounting plate EMP-B-... for actuator CEM-A-BE05...



100110 EMP-B-CEM05

▼ Features

- › For actuator CEM-A-BE05...
- › Material stainless steel

Function expansion

▼ Lockout bar CEM



122404 AE-L-BE05-R-122404

▼ Features

- › Prevents unintentional closing of the door
- › Can be secured with padlocks
- › Suitable for three padlocks with a shackle diameter from 4.0 mm to 9.0 mm

Catalogs

▼ Transpondercodierte Sicherheitssysteme mit externer Auswertung Transponder-coded safety systems with external evaluation Sistemas de seguridad con codificación por transponder y evaluación externa Systèmes de sécurité à codage par transpondeur avec analyse externe

	Doc. no.	Version	Language	Download
Transpondercodierte Sicherheitssysteme mit externer Auswertung	127596	02-01/18		3.1 MB
Systèmes de sécurité à codage par transpondeur avec analyse externe	137968	02-01/18		3.0 MB
Sistemas de seguridad con codificación por transponder y evaluación externa	139969	02-01/18		3.0 MB
Transponder-coded safety systems with external evaluation	127597	02-01/18		3.0 MB

CAD data

CAD data for this item on TraceParts