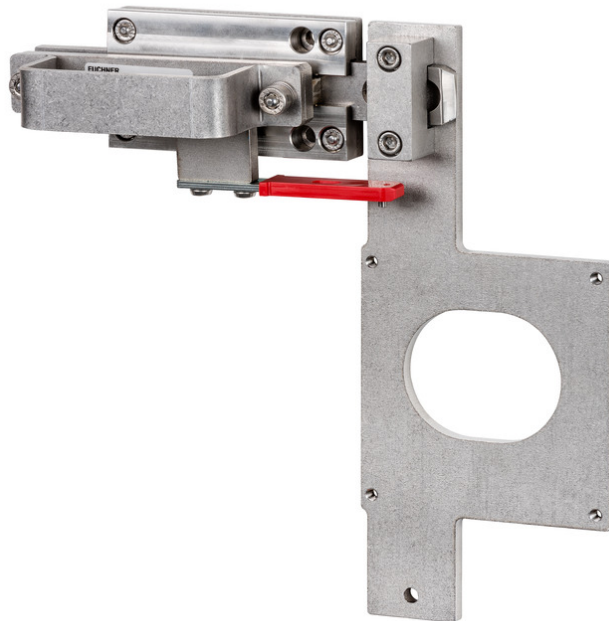


## ITEM 096058 RIEGEL TZ-C-NIRO-C2101

| Description | Technical data | Accessories | Downloads |
|-------------|----------------|-------------|-----------|
|-------------|----------------|-------------|-----------|



### Features

- › Stainless steel bolt
- › For doors hinged on the left
- › Can be locked in open position with padlocks
- › Actuator and switch bracket included

### Advantages

- › Robust construction
- › Easily fitted to standard aluminum profiles and machine covers by screw connection
- › No additional door handle necessary

### Special features

- › Easy to use

### Version in stainless steel

- › Suitable for use in the chemical and foodstuff industries
- › Screw material stainless steel

› Handle and slide strips made of stainless steel

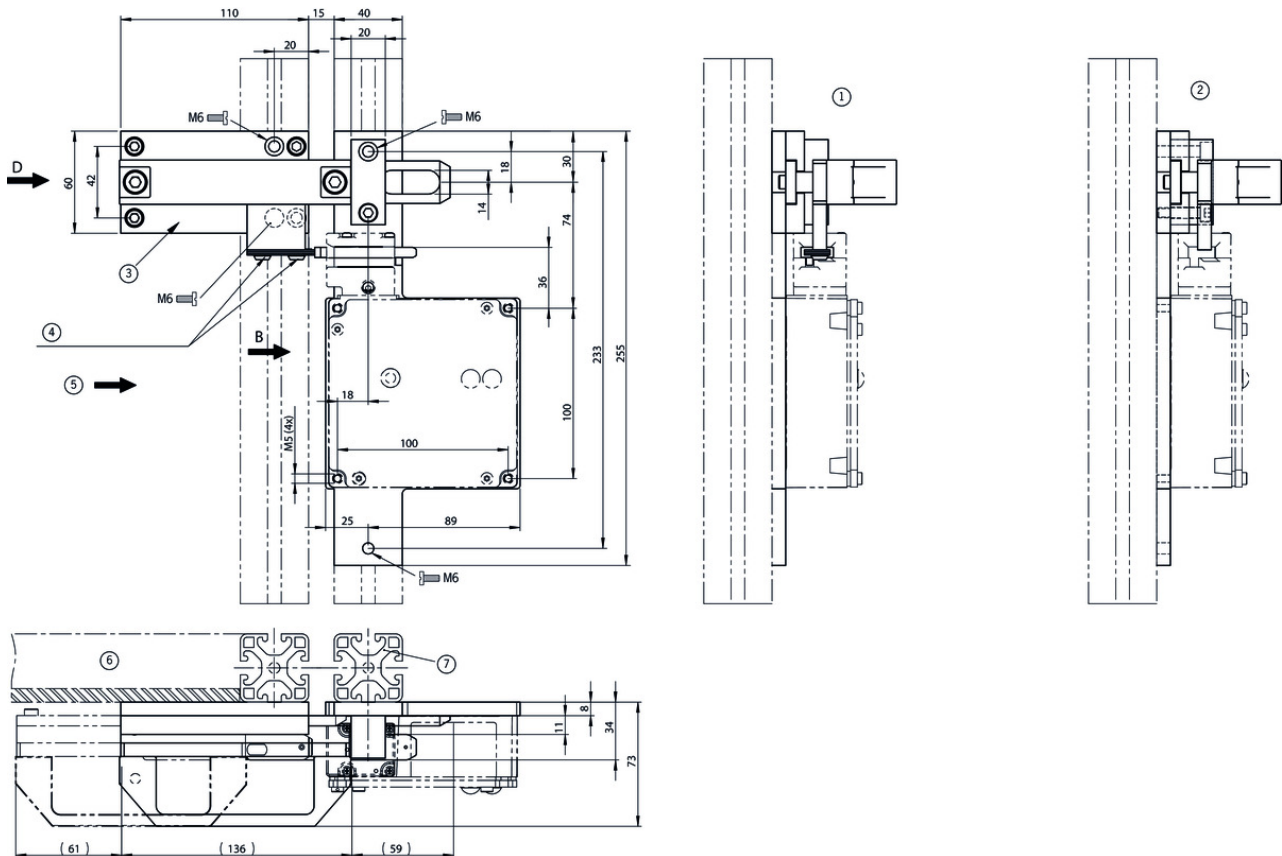
### **Mechanical values and environment**

|  |                |                 |
|--|----------------|-----------------|
| Material                                     |                |                 |
|  | Handle         | Stainless steel |
|  | Guide strips   | Stainless steel |
|  | Base plate     | Stainless steel |
|  | Switch bracket | Stainless steel |
| Weight                                       |                |                 |
|  | Net            | 2,5 kg          |
| Escape release                               |                | No              |
| Number of safety switches that can be fitted |                | 1               |

### **Miscellaneous**

|                  |  |    |
|------------------|--|----|
| Detent mechanism |  | No |
|------------------|--|----|

## Dimension drawing



## Legende

- 1 View D
- 2 View B
- Attention! Bolt must not be used in conjunction with an escape release. Bolt made of stainless steel 1.4301 screws made of stainless steel V2A, handle and slide strips made of stainless steel 1.4301
- 3 stainless steel 1.4301 screws made of stainless steel V2A, handle and slide strips made of stainless steel 1.4301
- 4 Safety screw
- 5 Safety switch TZ approach direction C
- 6 Door hinged on the left
- 7 Safety guard frame (40x40)

## Spare parts

- ☑ Replacement handle for EUCHNER bolts



**093500** RIEGELGRIFF/V5

### ☑ Features

- › Material: plastic, reinforced polypropylene (PP)
- › Color: black, mat
- › Temperature resistance up to 100 °C
- › Packaging unit 5 pieces

## Function expansion

### ▼ Adapter NZ/TZ 45/30



#### **079033** ADAPTER NZ/TZ 45/30

##### ▼ Features

- › The adapter NZ/TZ 45/30 is used to compensate for different profiles, doors/frame 45/30

## Catalogs

- ▼ Sicherheitsschalter mit Metallgehäuse Safety Switches with Metal Housing Bezpečnostní spínače s kovovým pouzdem Interrupteurs de sécurité avec boîtier métallique 金属壳体 的安全开关 Interruptores de seguridad con carcasa metálica

|   | Doc. no. | Version  | Language | Download |
|---|----------|----------|----------|----------|
| Sicherheitsschalter mit Metallgehäuse             | 100319   | 11-03/18 |          | 7.9 MB   |
| Interrupteurs de sécurité avec boîtier métallique | 100676   | 11-03/18 |          | 7.9 MB   |
| Interruptores de seguridad con carcasa metálica   | 104856   | 11-03/18 |          | 14.0 MB  |
| Safety Switches with Metal Housing                | 100369   | 11-03/18 |          | 7.9 MB   |
| Bezpečnostní spínače s kovovým pouzdem            | 121650   | 11-03/18 |          | 7.9 MB   |
| 金属壳体 的安全开关  | 102453   | 11-03/18 |          | 8.2 MB   |

## CAD data

CAD data for this item on TraceParts