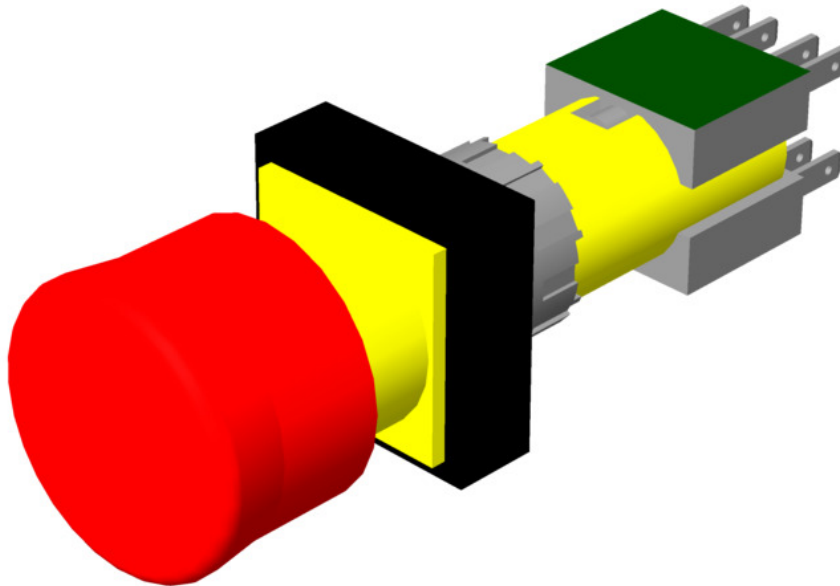


ITEM 096298 NOT-HALT TASTE 16MM 2 OE/ZUG

Description	Technical data	Accessories	Downloads
-------------	----------------	-------------	-----------



Features

- › With pull-to-reset
- › Emergency stop device according to ISO 13850
- › EMERGENCY STOP device for housing ZSM/HBA/HBM without enabling switch ZXE, 3-stage

Two-channel emergency stop device (red, with pull-to-reset button) for installation in housing ZSM/HBA/HBM, for different wiring concepts.

Notes

- › The EMERGENCY STOP device engages when actuated by pressing, unlocks when pulled, and is overload-proof
- › Do not use with ZSM/HBA/HBM housing with 3-stage enabling switch ZXE

Mechanical values and environment

Degree of protection	IP65
Mechanical life	min.0,05 x 10 ⁶
Number of switching elements	2 One positively driven NC contact each

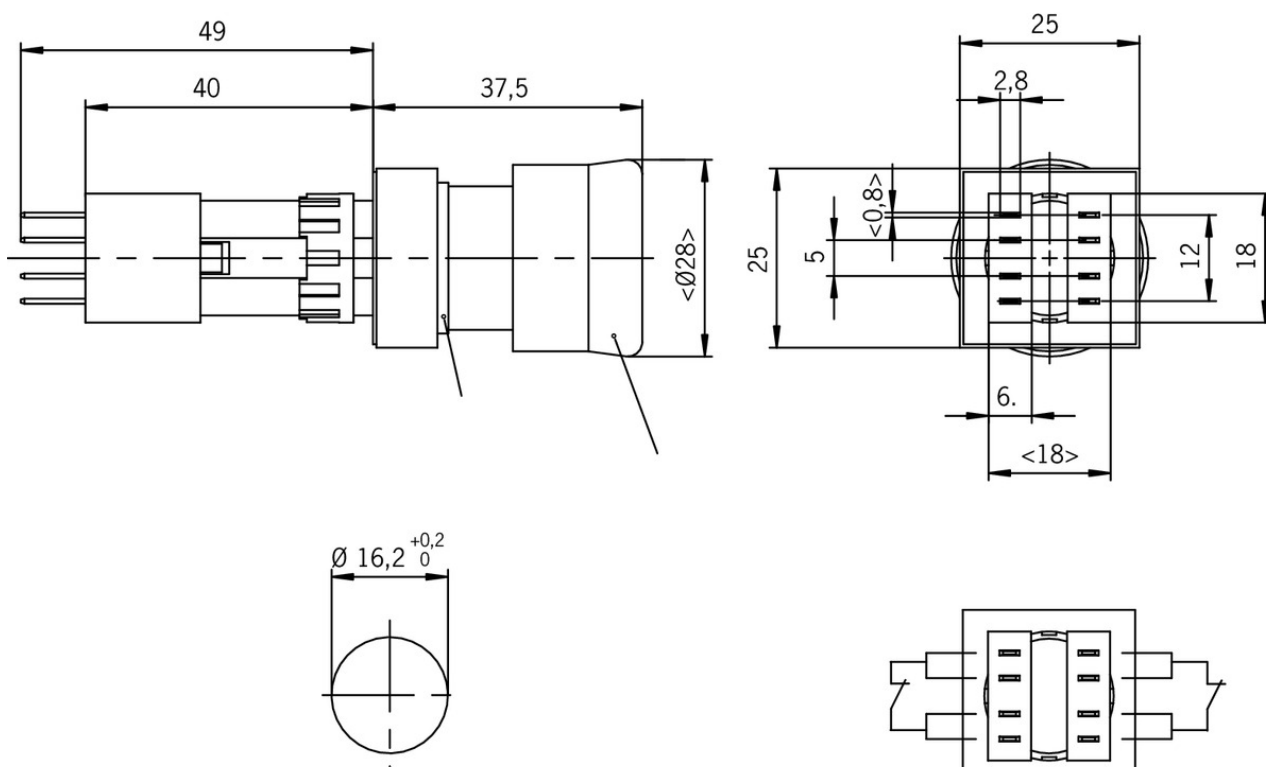
Electrical connection ratings

Utilization category according to EN 60947-5-1	DC-13	3A 24V
Switching characteristics	Latching, reset by pulling	

Miscellaneous

Color	Actuating button	Red
	Bottom part	Yellow





Dimension drawing









Catalogs

- [Handbediengeräte/Handräder Hand-Held Pendant Stations/Handwheels Pupitres portables/Manivelles](#)

	Doc. no.	Version	Language	Download
Handbediengeräte/Handräder	098619	08-09/17		3.0 MB

Pupitres portables/Manivelles	111529	08-09/17		 3.0 MB
Hand-Held Pendant Stations/Handwheels	099443	08-09/17		 3.0 MB

 Enabling switches ZS Commandes d'Assentiment ZS Zustimmungstaster ZS

	Doc. no.	Version	Language	Download
Zustimmungstaster ZS	095689	08-07/18		 9.1 MB
Commandes d'Assentiment ZS	097367	08-07/18		 4.9 MB
Enabling switches ZS	095690	08-07/18		 4.9 MB

CAD data

CAD data for this item on TraceParts