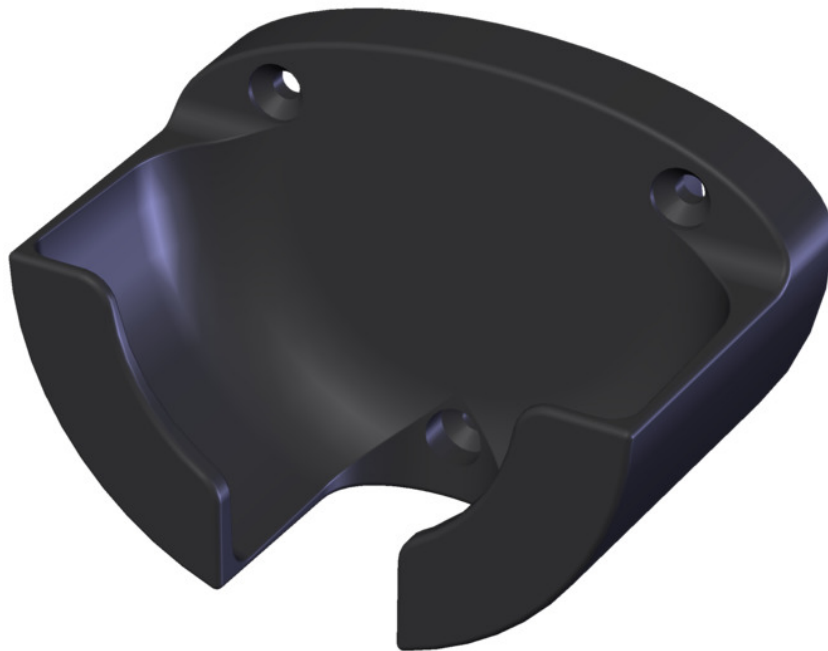


ITEM 100221 HALTER HBA-100221

Description	Technical data	Accessories	Downloads
-------------	----------------	-------------	-----------



Features

- › Plastic holder
- › Black

Mechanical values and environment

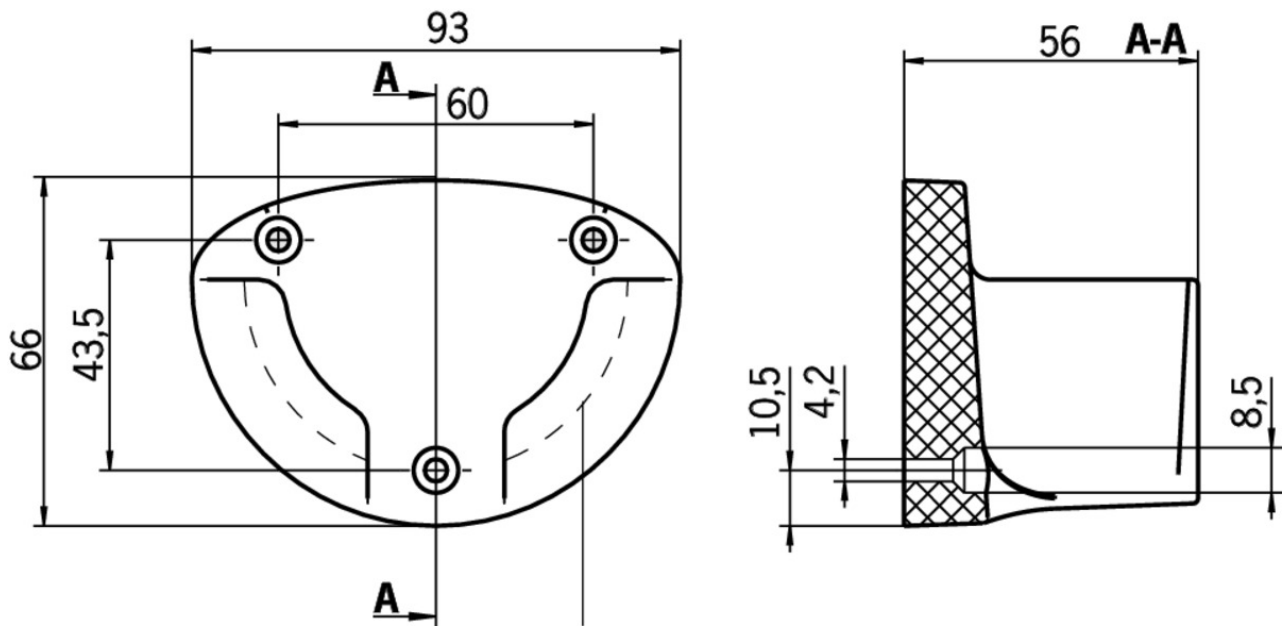
Housing material	Polycarbonate
Weight	Net 0,1 kg
Mounting method	Screws ^[1]

Miscellaneous

Color	Black
-------	-------

[1] enclosed

Dimension drawing



Catalogs

- ✓ Handbediengeräte/Handräder Hand-Held Pendant Stations/Handwheels Pupitres portables/Manivelles

	Doc. no.	Version	Language	Download
Handbediengeräte/Handräder	098619	08-09/17		3.0 MB
Pupitres portables/Manivelles	111529	08-09/17		3.0 MB
Hand-Held Pendant Stations/Handwheels	099443	08-09/17		3.0 MB

CAD data

CAD data for this item on TraceParts