

ITEM 106051 MGB-E-A2-106051

Description	Technical data	Accessories	Downloads
-------------	----------------	-------------	-----------



Features

- › Escape release out of the danger area
- › Mounted on mounting plate
- › With red handle
- › 118 mm long

Escape release

The safety system MGB can be equipped with an escape release module. The escape release enables people shut in to open the guard locked door from the danger area. It is only necessary to actuate the door handle.

The actuating direction automatically adapts to the actuating direction of the handle module and does not need to be changed. The actuation axis supplied is suitable for profiles up to 40 mm.

Extended actuation axis

Optionally, a 250 mm long actuation axis (instead of 110 mm) can be ordered for thicker doors or profiles > 40 mm. The axis can be shortened to the required dimension.

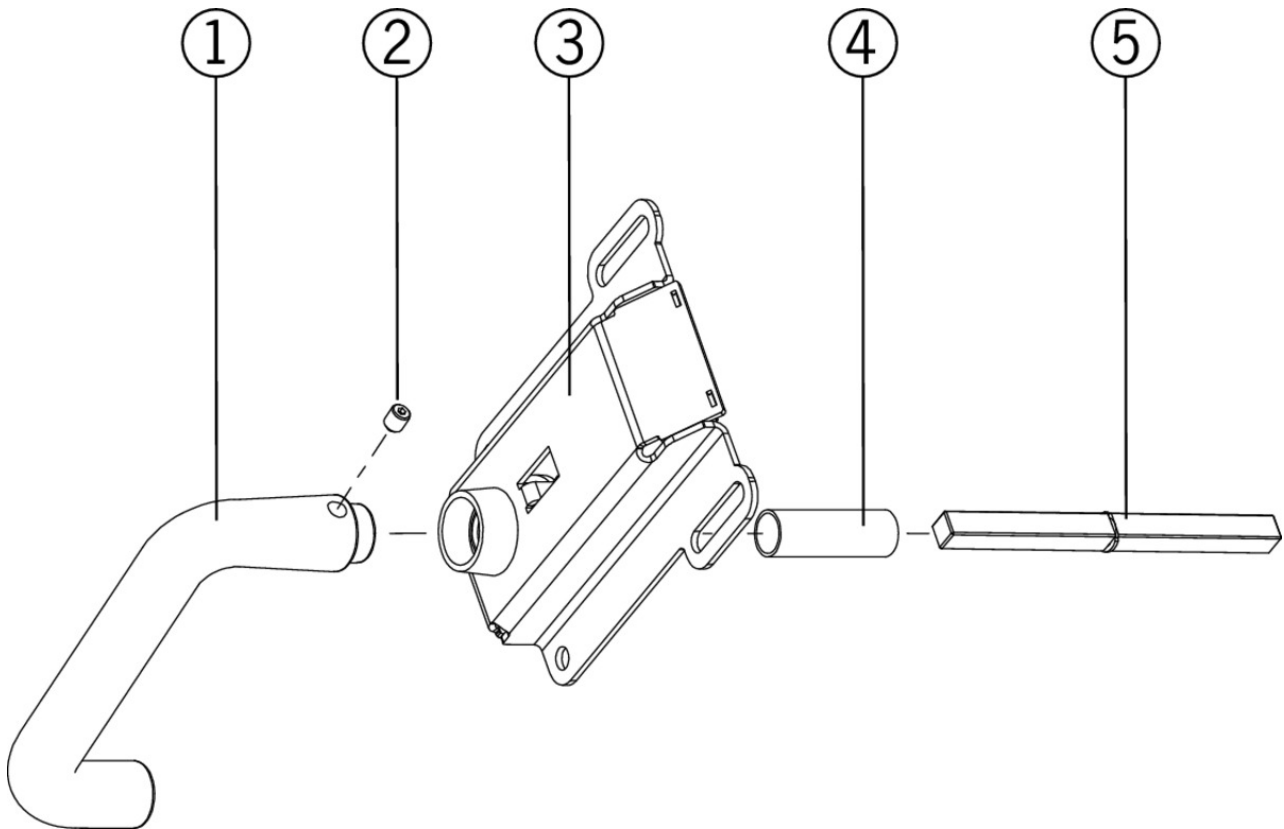
Approvals



Mechanical values and environment

Ambient temperature	-20 ... 55 °C
Mechanical life	1 x 10 ⁶

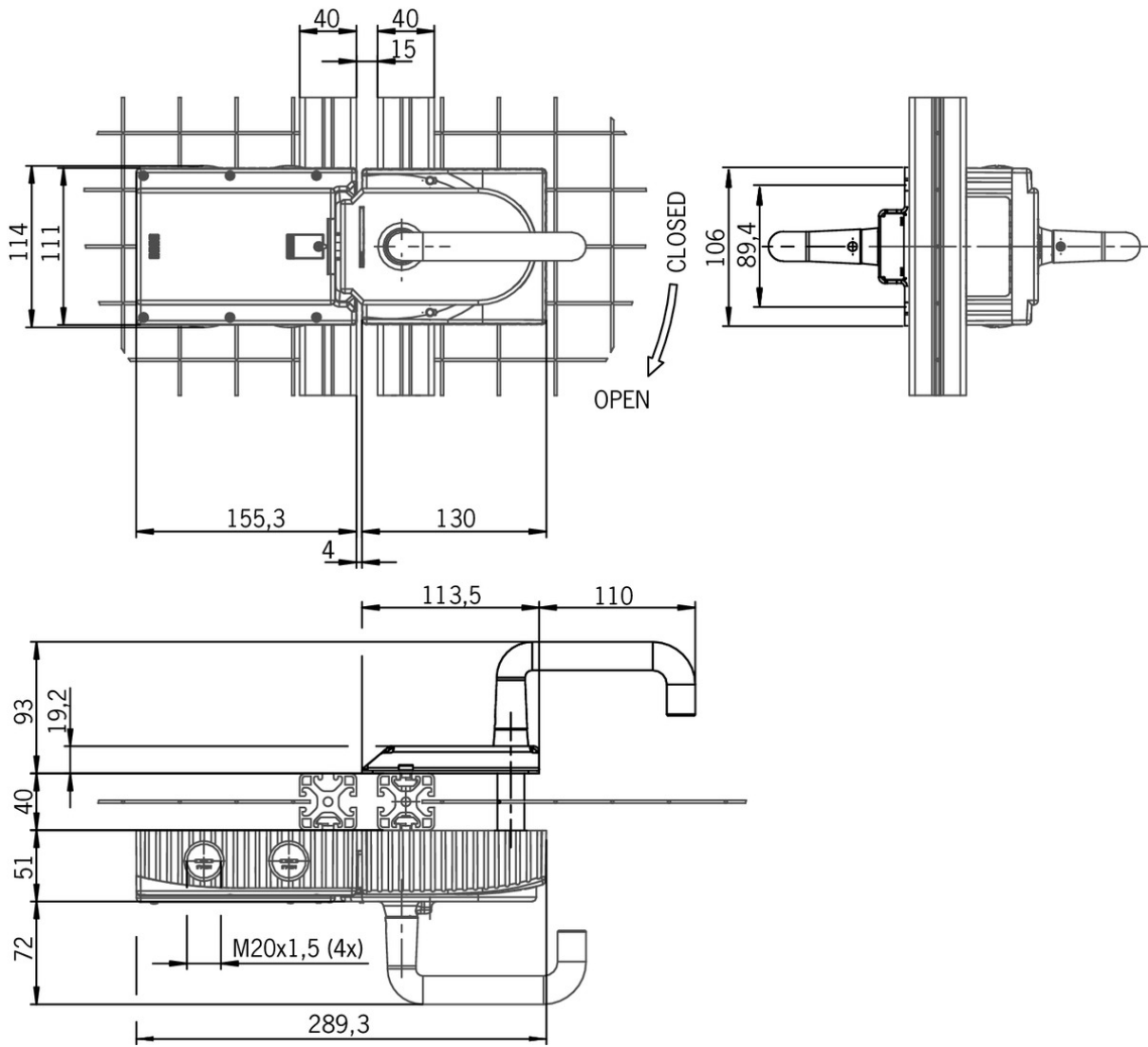
Dimension drawing



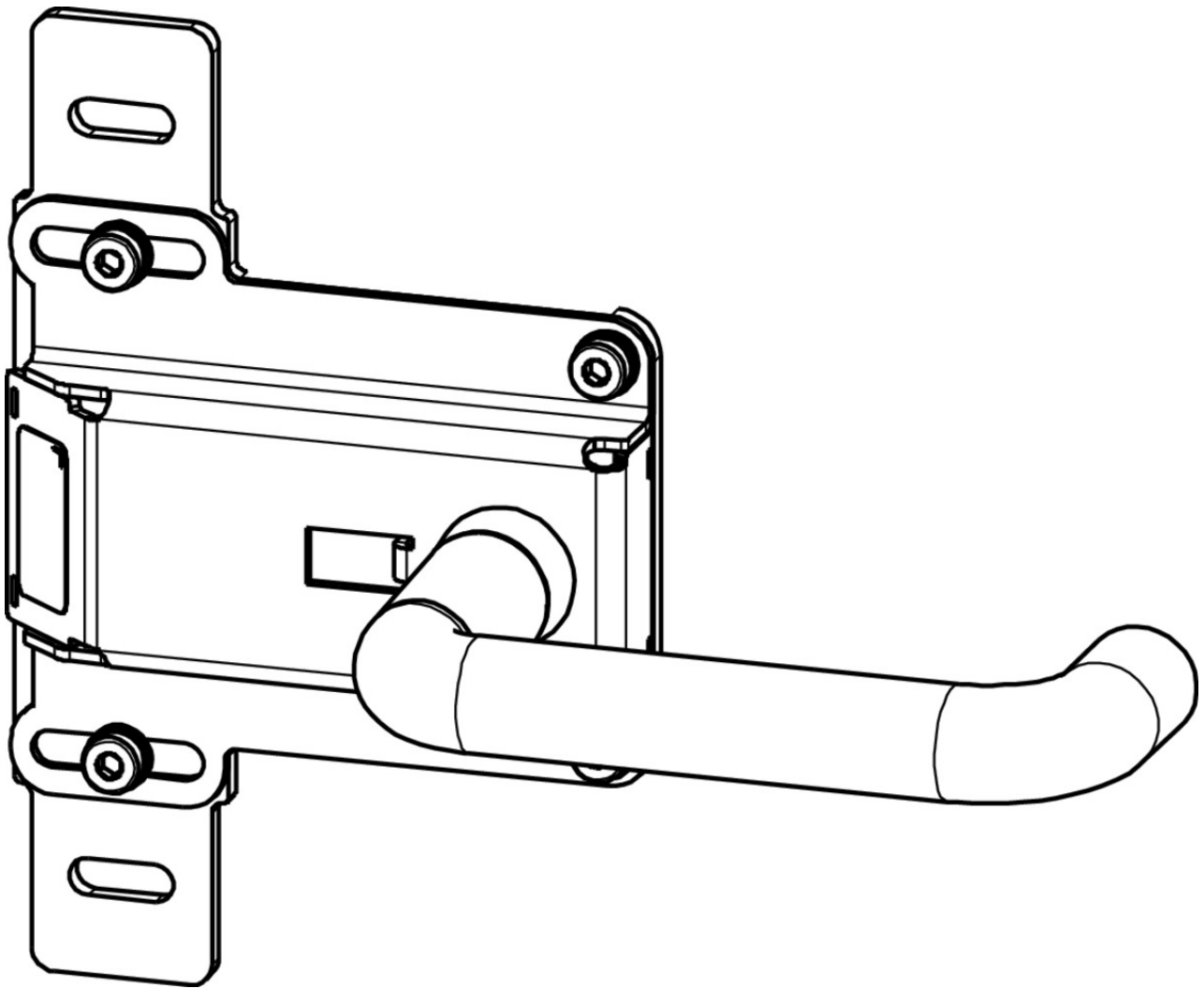
Legende

- 1 Door handle
- 2 Setscrew
- 3 Cover
- 4 Protective sleeve, 52 mm long
- 5 Actuation axis, 118 mm long, square drive 8x8 mm

Dimension drawing



Dimension drawing



Function expansion

✓ Door handle for MGB-E...



110276 MGB-A-DOORHANDLE-R1-110276

✓ Features

- › Aluminum, red painted
- › For mounting on all MGB escape release modules MGB-E

✓ Door knob for MGB-E...



114904 MGB-A-DOORKNOB-R1-114904

✓ Features

- › Aluminum, red painted
- › For mounting on all MGB escape release modules MGB-E
- › e.g. on sliding doors

✓ Extended actuation axis for MGB-E...

106761 AY-ERS-250-106761



Catalogs

▼ Multifunctional Gate Box MGB Multifunctional Gate Box MGB Multifunctional Gate Box MGB
Multifunctional Gate Box MGB Multifunctional Gate Box MGB 多功能系统安全控制系统 MGB

	Doc. no.	Version	Language	Download
Multifunctional Gate Box MGB	106108	10-02/18		8.2 MB
Multifunctional Gate Box MGB	109155	10-02/18		8.2 MB
Multifunctional Gate Box MGB	114433	10-02/18		8.3 MB
Multifunctional Gate Box MGB	121652	10-02/18		8.0 MB
Multifunctional Gate Box MGB	106109	10-02/18		8.2 MB
多功能系统安全控制系统 MGB	155883	10-02/18		8.3 MB

Declaration of conformity

▼ EU-Konformitätserklärung

	Doc. no.	Version	Language	Download
EU-Konformitätserklärung	2123150	08-01/17		0.3 MB
Declaración UE de conformidad				
Déclaration UE de conformité				
Dichiarazione di conformità				
EU declaration of conformity				

CAD data

CAD data for this item on TraceParts