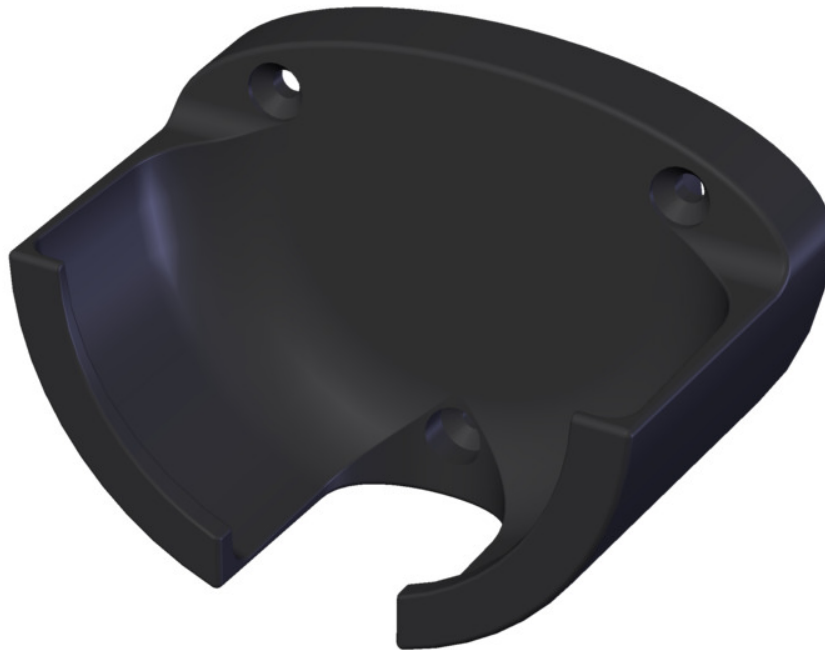


## ITEM 109979 HALTER HBA-109979

Description	Technical data	Accessories	Downloads
-------------	----------------	-------------	-----------



### Features

- › Plastic holder
- › Black
- › Handwheel can be operated in the holder

### Mechanical values and environment

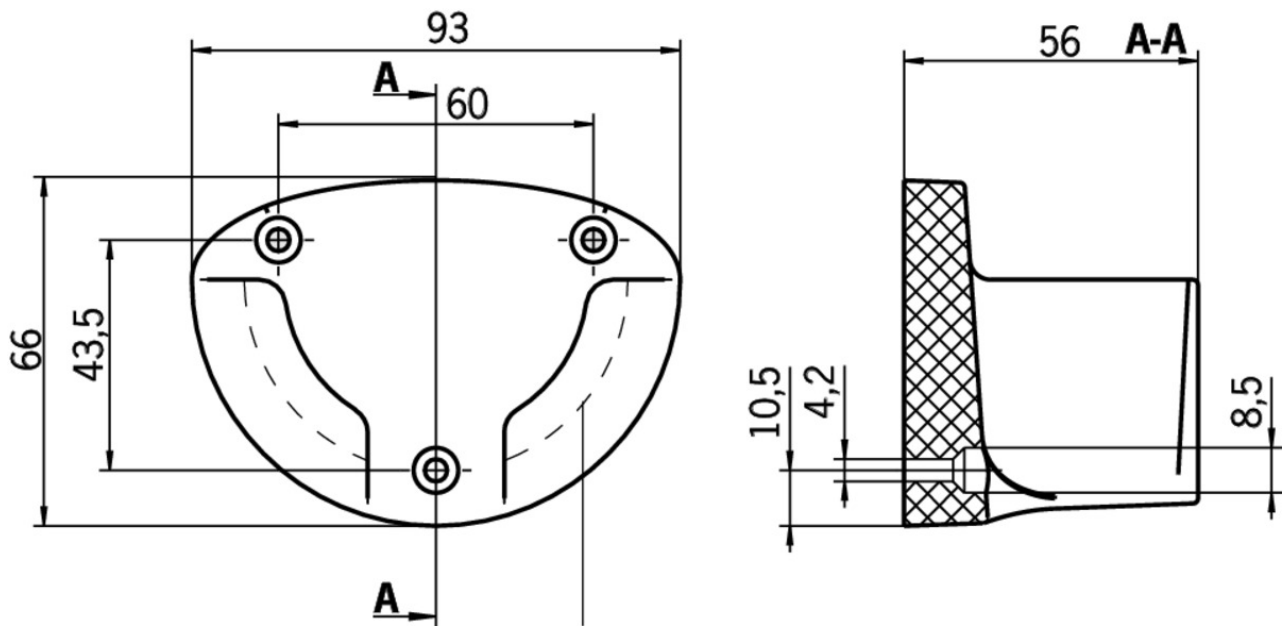
Housing material	Polycarbonate
Weight	Net 0,1 kg
Mounting method	Screws <sup>[1]</sup>

### Miscellaneous

Additional feature	Enlarged handwheel cut-out
Color	Black

[1] enclosed

### Dimension drawing



### Catalogs

- ✓ Handbediengeräte/Handräder Hand-Held Pendant Stations/Handwheels Pupitres portables/Manivelles

	Doc. no.	Version	Language	Download
Handbediengeräte/Handräder	098619	08-09/17		3.0 MB
Pupitres portables/Manivelles	111529	08-09/17		3.0 MB
Hand-Held Pendant Stations/Handwheels	099443	08-09/17		3.0 MB

### CAD data

CAD data for this item on TraceParts