

ITEM 111158 MGB-H-AA1A3-L-111158

| Description | Technical data | Accessories | Downloads |
|-------------|----------------|-------------|-----------|
|-------------|----------------|-------------|-----------|



Features

- › Intelligent bolt tongue
- › Fold-out lockout mechanism
- › Second automatically extending lockout mechanism
- › Door handle

Bolt tongue

The bolt tongue is reliably detected by transponder as soon as it is inserted in the evaluation module.

Lockout mechanism (automatically extending and fold-out)

For cleaning and service on the machine the bolt tongue can be locked with max. 3 padlocks.

The lockout mechanism extends automatically on the actuation of the handle and prevents the operation of the handle in the safe state. In addition, the fold-out lockout mechanism can be used.

Door handle

The MGB has a robust door handle that can be rotated in 90° steps to suit all

installations. The actuating direction can be changed very easily for doors hinged on the left or right.

Door knob

As an alternative to the door handle the handle module can also be equipped with a door knob.

Approvals



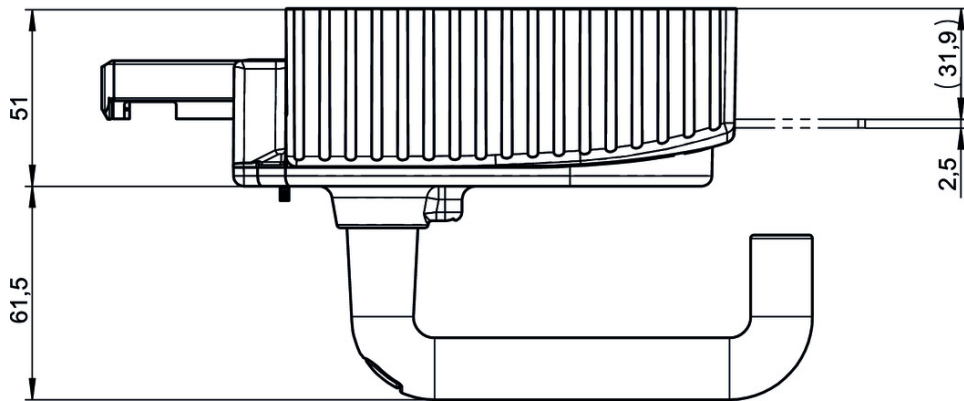
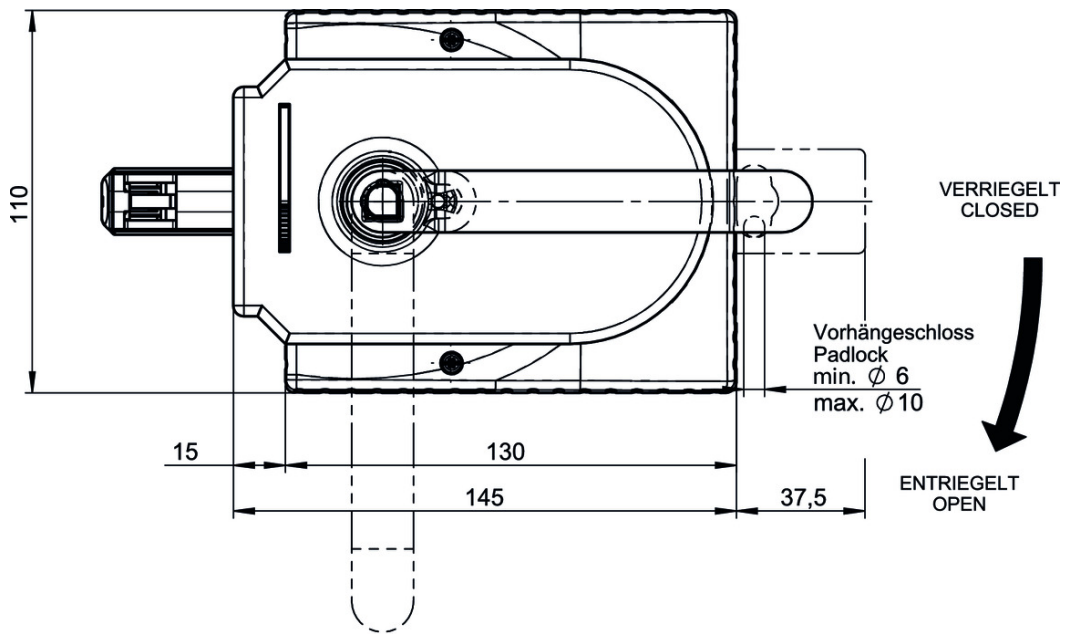
Mechanical values and environment

| | |
|-----------------------|--|
| Housing material | Reinforced plastic, die-cast zinc nickel-plated, stainless steel |
| Weight | Net 1,00 kg |
| Ambient temperature | -20 ... 55 °C |
| Degree of protection | IP65 |
| Installation position | Door hinge DIN left |

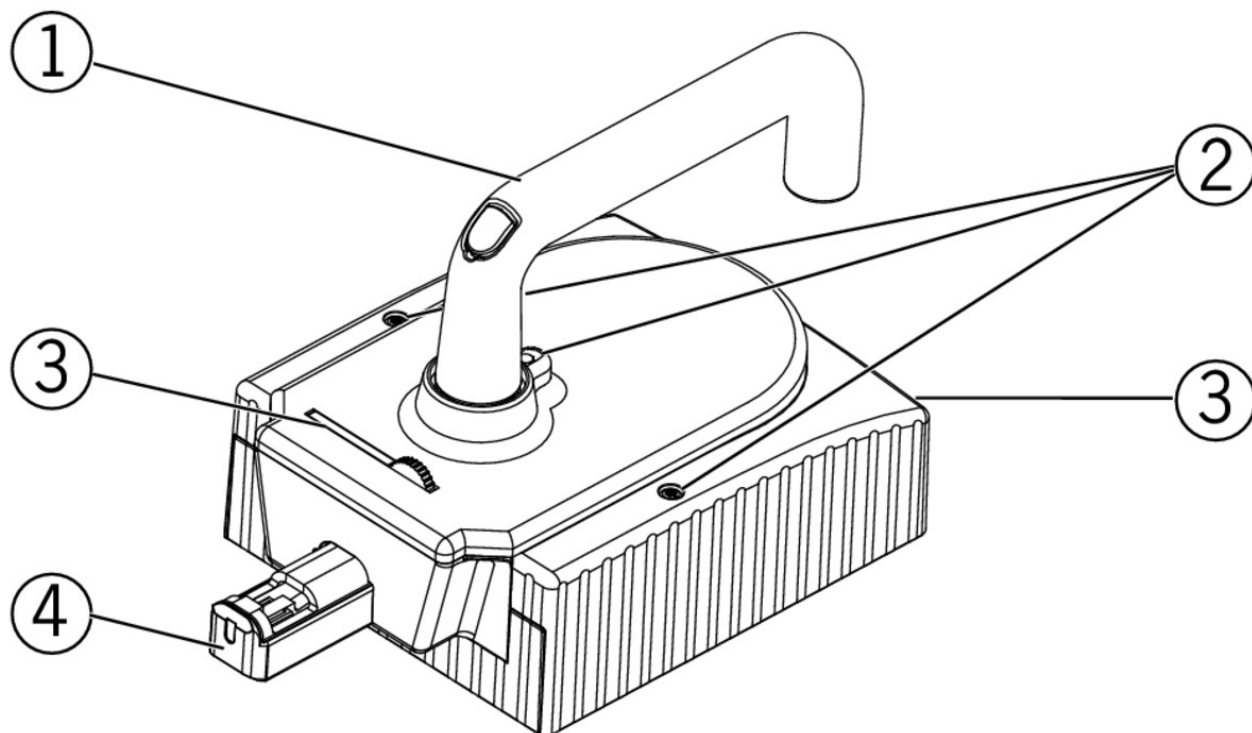
Miscellaneous

| | |
|------------------------|----------------------------------|
| Additional feature | With automatic lockout mechanism |
| Product version number | V3.0.0 |

Dimension drawing



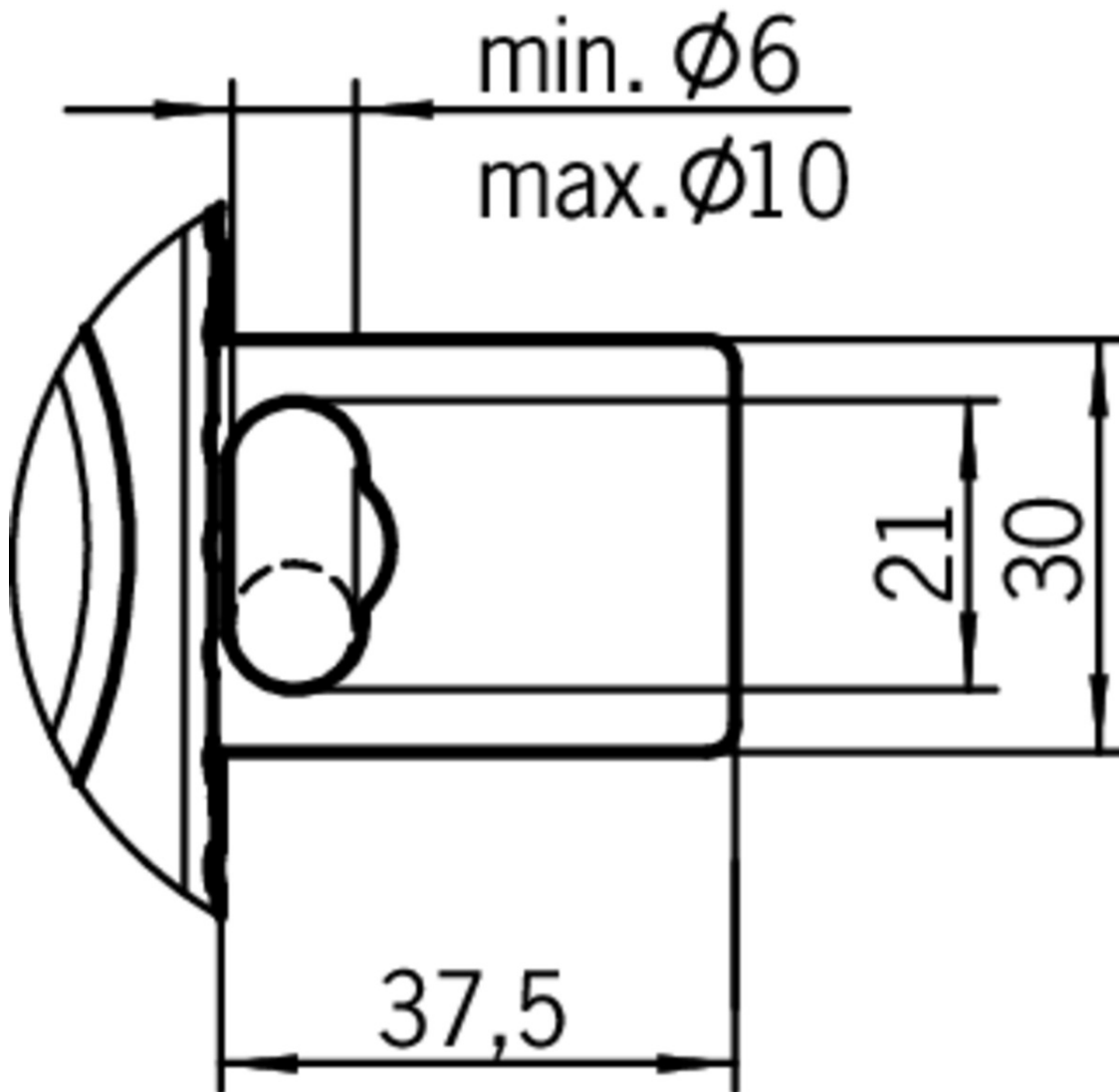
Dimension drawing



Legende

- 1 Door handle
- 2 Locking pins for housing cover and handle adjustment
- 3 Lockout bar
- 4 Bolt tongue

Dimension drawing



Function expansion

▼ Door handle for MGB-H...



123926 MGB-A-DOORHANDLE-S2-123926

▼ Features

- › Aluminum silver anodized
- › For mounting on all MGB handle modules MGB-H from V3.0.0



110277 MGB-A-DOORHANDLE-S1-110277

▼ Features

- › Aluminum silver anodized
- › For mounting on all MGB handle modules MGB-H up to V2.0.0

▼ Door knob for MGB-H...



124030 MGB-A-DOORKNOB-S2-124030

▼ Features

- › Aluminum, silver anodized

- › For mounting on all MGB handle modules MGB-H... from V3.0.0
- › e.g. on sliding doors



111460 MGB-A-DOORKNOB-S1-111460

Features

- › Aluminum, silver anodized
- › For mounting on all MGB handle modules MGB-H... up to V2.0.0
- › e.g. on sliding doors

Mounting accessories

Mounting plate for all MGB handle modules



109491 MGB-A-MOUNTINGPLATE-H-109491

Features

- › Easy and quick mounting (only two screws required)
- › Quick module replacement
- › Steel, powder-coated
- › Suitable for doors hinged on the right or left

Instructions

Sicherheitsinformation (Teil der Betriebsanleitung Sicherheitssystem MGB-AR/MGB-AP) ab V3.0.0

| | Doc. no. | Version | Language | Download |
|---|----------|----------|----------------------|----------|
| Sicherheitsinformation (Teil der Betriebsanleitung Sicherheitssystem MGB-AR/MGB-AP) ab V3.0.0 Información de seguridad (parte del manual de instrucciones Sistema de seguridad MGB-AR/MGB-AP) V3.0.0 o superior Information de sécurité (partie du mode d'emploi Système de sécurité MGB-AR/MGB-AP) à partir de V3.0.0 Informazioni sulla sicurezza (Parte delle istruzioni di impiego Sistema di sicurezza MGB-AR/MGB-AP) da V3.0.0 Säkerhetsinformation (Del av instruktionsboken Säkerhetssystem MGB-AR/MGB-AP) från V3.0.0 Safety Information (Part of the Operating Instructions Safety System MGB-AR/MGB-AP) from V3.0.0 | 123151 | 01-02/15 | | 0.6 MB |
| Veiligheidsinformatie (Deel van de handleiding Beveiligingssysteem MGB-AR/MGB-AP) vanaf V3.0.0 | 123151 | 01-02/15 | | 0.2 MB |
| Informação de segurança (Parte do manual de instruções Sistema de segurança MGB-AR/MGB-AP) a partir de V3.0.0 | 123151 | 01-02/15 | | 0.2 MB |

