

## ITEM 111460 MGB-A-DOORKNOB-S1-111460

Description	Technical data	Accessories	Downloads
-------------	----------------	-------------	-----------



### Features

- › Aluminum, silver anodized
- › For mounting on all MGB handle modules MGB-H... up to V2.0.0
- › e.g. on sliding doors

### Approvals



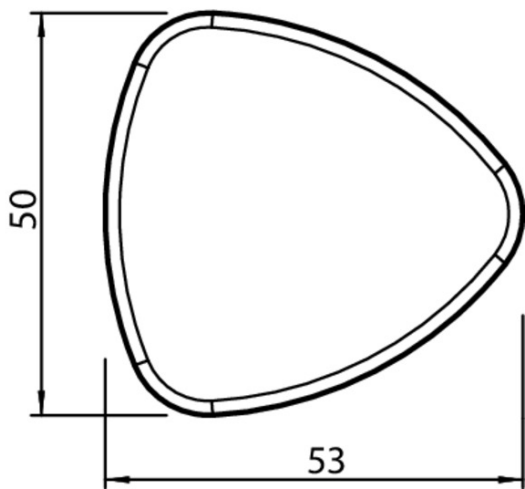
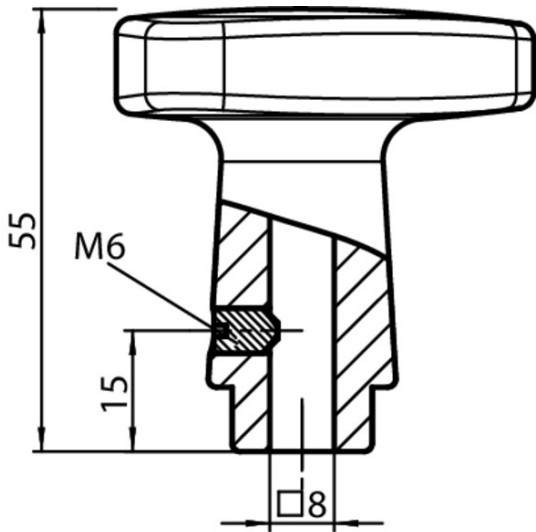
### Mechanical values and environment

Material	Aluminum
Weight	Net 0,120 kg

### Miscellaneous

Compatibility	up to V 2.0.0
Color	silver

### Dimension drawing



### Catalogs

- [Multifunctional Gate Box MGB Multifunctional Gate Box MGB Multifunctional Gate Box MGB Multifunctional Gate Box MGB Multifunctional Gate Box MGB 多功能系统安全控制系统 MGB](#)

	Doc. no.	Version	Language	Download
Multifunctional Gate Box MGB	106108	10-02/18		8.2 MB
Multifunctional Gate Box MGB	109155	10-02/18		8.2 MB
Multifunctional Gate Box MGB	114433	10-02/18		8.3 MB
Multifunctional Gate Box MGB	121652	10-02/18		8.0 MB

Multifunctional Gate Box MGB	106109	10-02/18		 8.2 MB
多功能系统安全控制系统 MGB	155883	10-02/18		 8.3 MB