

ITEM 112023 MGB-C-1BBBBPP-A3-112023

Description	Technical data	Accessories	Downloads
-------------	----------------	-------------	-----------



Features

- › Space for up to 6 controls and indicators
- › Ideal expansion solution for the MGB system
- › A large amount of design flexibility

In the control module it is possible to integrate controls such as buttons, emergency stop, key-operated switches or even indicators as required. In this way a complete functional control panel can be built up. Even the MGB basic system comprising handle module and interlocking/locking module includes numerous functions. And if requirements grow, the MGB system simply grows with them with the aid of the control module. Furthermore, the control module forms an attractive unit together with the MGB. An elegant alternative to the gray switch boxes that were common in the past.

Approvals



Mechanical values and environment

Material	Fiber glass reinforced plastic
Weight	
	Net 0,5 kg
Degree of protection	IP65
Contact material	Au
Connection	
	2x cable entries M20
	Plug-in and soldered connection 2.8x0.8

Electrical connection ratings

Operating current	1 ... 100 mA
Operating voltage DC	5 ... 35 V DC
Connection cross-section	0,2 ... 1,5 mm ²
	Controls and indicators
Breaking capacity	max.0,25 W
Power supply LED	24 V DC

Controls and indicators

Assignment diagram	C2
Control/indicator	
	Position 10
Version	Blind plug
Special features	
Color	
Switching element	
Slide-in label	
Control/indicator	
	Position 11
Version	Blind plug
Special features	
Color	
Switching element	
Slide-in label	
Control/indicator	
	Position 12
Version	Blind plug
Special features	
Color	
Switching element	
Slide-in label	
Control/indicator	

	Position 13
Version	Blind plug
Special features	
Color	
Switching element	
Slide-in label	
Control/indicator	
	Position 14
Version	Illuminated push buttons
Special features	
Color	Blue
Switching element	1NO
Slide-in label	
Control/indicator	
	Position 15
Version	Illuminated push buttons
Special features	
Color	Yellow
Switching element	1NO
Slide-in label	

Miscellaneous

Additional feature	
	Incl. 7 flexible wire compl. 0.34 mm ² - red
	Incl. 7 flexible wire compl. 0.34 mm ² - blue
	Incl. 16 flexible wires compl. 0.34 mm ² - black
	Incl. 6 cable straps
	Incl. cover set ID. No. 120344
Slide-in label	
	4 pcs. without marking
	Acknowledge protection zone
	Safety door request
	Acknowledge EMERGENCY STOP
	WZW start

Dimension drawing

Bedienmodul Gehäuse (MGB-C...)

Best.Nr. 109 219

Inklusive:

1 Stück Leergehäuse

1 Stück Deckel

2 Stück Blinderschraubung

Control Module Housing (MGB-C...)

Order-No. 109 219

Including:

1 pcs. empty housing

1 pcs. top cover

2 pcs. dummy plug

Anschluss-Set

Best.Nr. 109 858

Inklusive:

1 Stück Leiterplatte mit steckbaren Federzugklemmen

4 Stück Befestigungsschrauben für Leiterplatte

7 Stück Litzen kg1. 0,34 mm² -rot

7 Stück Litzen kg1. 0,34 mm² -blau

16 Stück Litzen kg1. 0,34 mm² -schwarz

6 Stück Kabelbinder

Connection Kit

Order-No. 109 858

Including:

1 pcs. circuit board with plug-in spring terminals

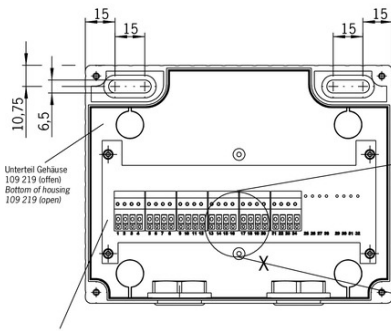
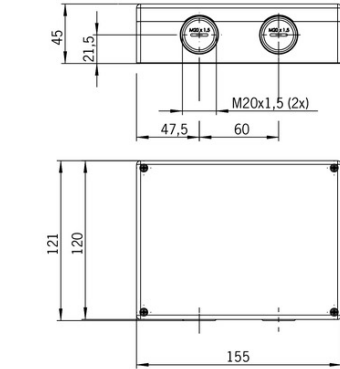
4 pcs. screws for circuit board

7 pcs. flexible wires complete, 0,34 mm² - red

7 pcs. flexible wires complete, 0,34 mm² - blue

16 pcs. flexible wires complete, 0,34 mm² - black

6 pcs. cable binder

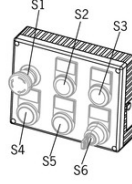


Leiterplatte mit Anschlussklemmen 109 858
Circuit board with terminal clamps 109 858

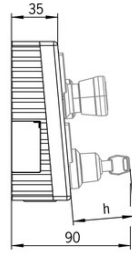
Beispielbestückung

Configuration Example

(z.B. Best.Nr. / e.g. Order no. 106795 MGB-C1ELLPPK-106795)



Position	Ausführung/Version	h
S1	Not-Halt-Taster Emergency stop	33,2 mm
S2	Leuchtvorsatzrot LED red	
S3	Leuchtvorsatzgrün LED green	10 mm
S4	Taster beleuchtet-weiß Pushbutton illuminated white	
S5	Taster beleuchtet-weiß Pushbutton illuminated white	
S6	Schlüsselschalter Key-operated switch	44,1 mm



Instructions

Montageanleitung Bedienmodul MGB-C (Bausatz)

	Doc. no.	Version	Language	Download
Montageanleitung Bedienmodul MGB-C (Bausatz)	2109520	03-08/18		1.3 MB
Assembly Instruction Control module MGB-C (Kit)				

Catalogs

Multifunctional Gate Box MGB Multifunctional Gate Box MGB Multifunctional Gate Box MGB
Multifunctional Gate Box MGB Multifunctional Gate Box MGB 多功能系统安全控制系统 MGB

	Doc. no.	Version	Language	Download
Multifunctional Gate Box MGB	106108	10-02/18		8.2 MB
Multifunctional Gate Box MGB	109155	10-02/18		8.2 MB
Multifunctional Gate Box MGB	114433	10-02/18		8.3 MB

Multifunctional Gate Box MGB	121652	10-02/18		 8.0 MB
Multifunctional Gate Box MGB	106109	10-02/18		 8.2 MB
多功能系统安全控制系统 MGB	155883	10-02/18		 8.3 MB