

ITEM 073535 RIEGEL 0 NP/TP OHNE RASTUNG

Description	Technical data	Accessories	Downloads
-------------	----------------	-------------	-----------



Features

- › Steel bolt
- › For doors hinged on the left or right
- › Can be locked in open position with padlocks
- › Actuator included

Advantages

- › Robust construction
- › Easily fitted to standard aluminum profiles and machine covers by screw connection
- › Distinctive yellow color for easy recognition
- › Symmetrical design for doors hinged on the right or left
- › No additional door handle necessary
- › Bolts for safety switches **NP...AS** and **TP...A** are identical

Notes

- › Switch bracket **NP** is only suitable for series **NP...AS**
- › Switch bracket **TP** is only suitable for the series **TP...A** and **GP**
- › Order safety switch and switch bracket separately (see accessories).

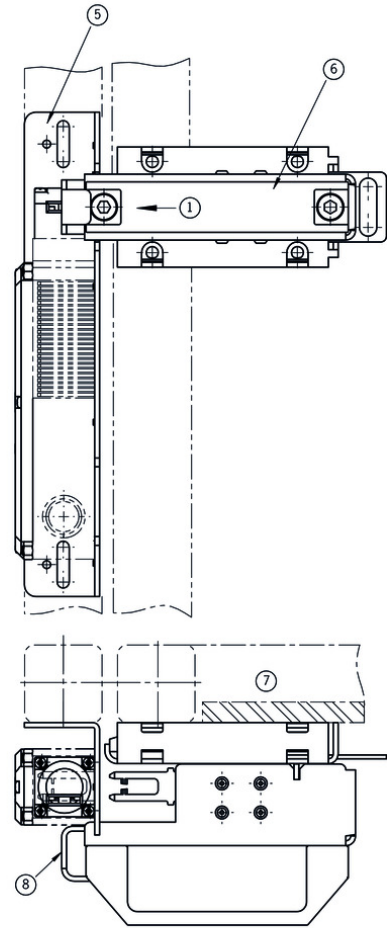
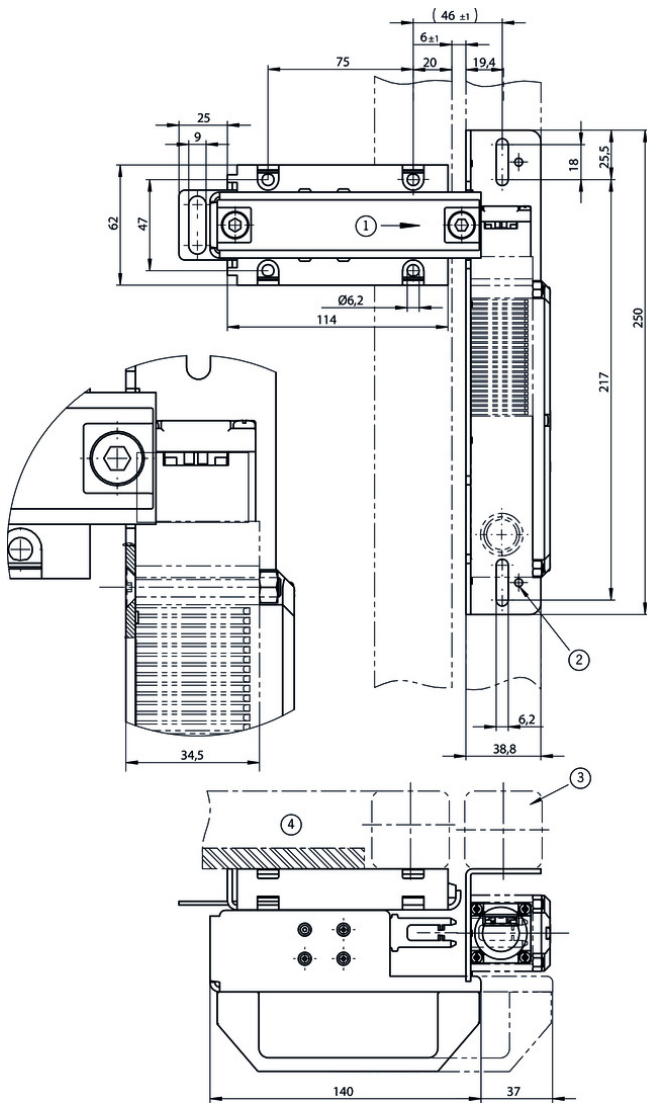
Mechanical values and environment

Material	Handle	Plastic
	Guide strips	Steel powder-coated
	Base plate	Galvanized steel
Weight	Net	0,75 kg
Escape release		No
Number of safety switches that can be fitted		1

Miscellaneous

Detent mechanism	No
------------------	----

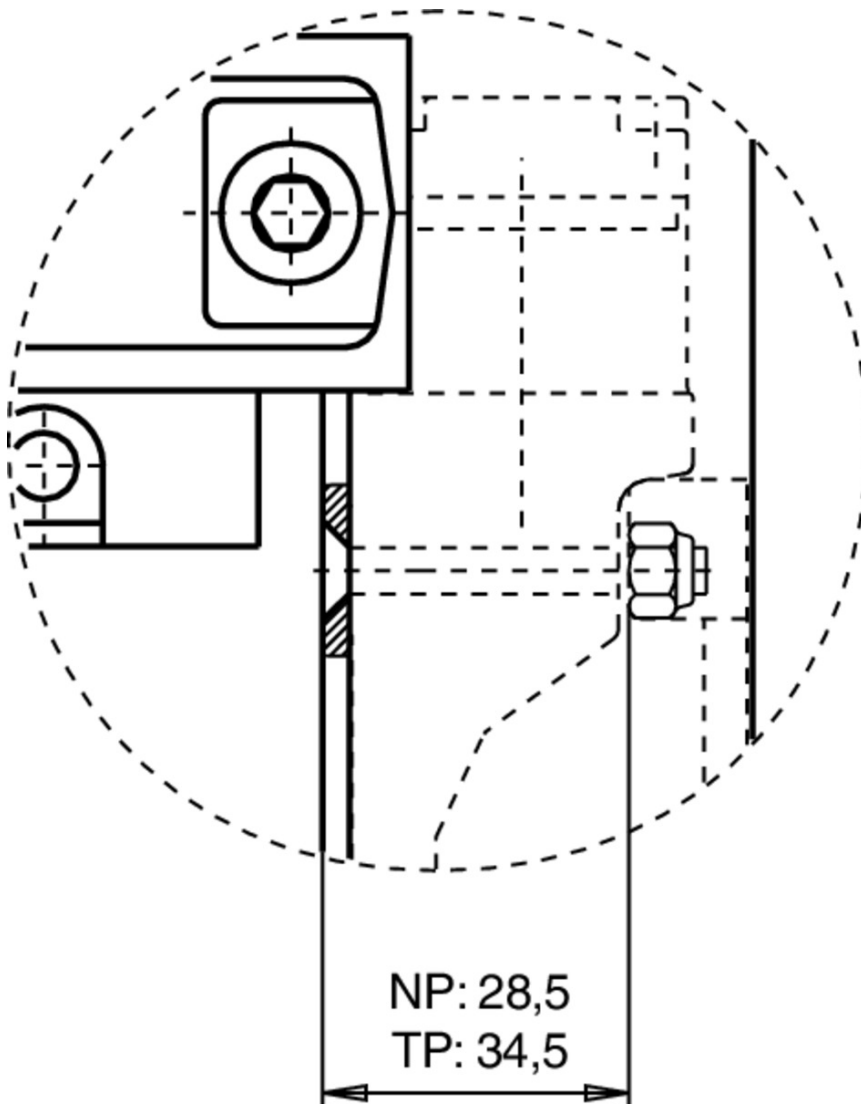
Dimension drawing



Legende

- 1 Approach direction
- 2 After adjustment connect positively.
- 3 Safety guard frame (40x40)
- 4 Door hinged on the left
- 5 Switch bracket TP
- 6 Bolt, NP/TP
- 7 Door hinged on the right
- 8 Actuator for detent mechanism

Dimension drawing



Mounting accessories

- ✓ Switch bracket for bolt NP/TP



073538 SCHALTERAUFNAHME NP

✓ Features

- › Switch bracket made of steel
- › For doors hinged on the left or right



073539 SCHALTERAUFNAHME TP

✓ Features

- › Switch bracket made of steel
- › For doors hinged on the left or right

Spare parts

- ✓ Replacement handle for EUCHNER bolts



093500 RIEGELGRIF/VS

Features

- › Material: plastic, reinforced polypropylene (PP)
- › Color: black, mat
- › Temperature resistance up to 100 °C
- › Packaging unit 5 pieces

Catalogs

- Bezpečnostní spínače s plastovým pouzdem Sicherheitsschalter mit Kunststoffgehäuse Safety Switches with Plastic Housing Interruptores de seguridad con carcasa plástica Interrupteurs de sécurité avec boîtier plastique 塑料壳体 的安全开关

	Doc. no.	Version	Language	Download
Sicherheitsschalter mit Kunststoffgehäuse	096955	11-03/18		6.6 MB
Interrupteurs de sécurité avec boîtier plastique	100677	11-03/18		6.6 MB
Interruptores de seguridad con carcasa plástica	104855	11-03/18		6.6 MB
Bezpečnostní spínače s plastovým pouzdem	121649	11-03/18		6.6 MB
Safety Switches with Plastic Housing	096956	11-03/18		6.6 MB
塑料壳体 的安全开关	116243	11-03/18		6.2 MB

CAD data

CAD data for this item on TraceParts