

## ITEM 082990 RIEGEL TX-A

Description	Technical data	Accessories	Downloads
-------------	----------------	-------------	-----------



### Features

- › Steel bolt
- › For doors hinged on the right
- › Can be locked in open position with padlocks
- › Actuator and switch bracket included

### Advantages

- › Robust construction
- › Easily fitted to standard aluminum profiles and machine covers by screw connection
- › Distinctive yellow color for easy recognition
- › No additional door handle necessary

### Mechanical values and environment

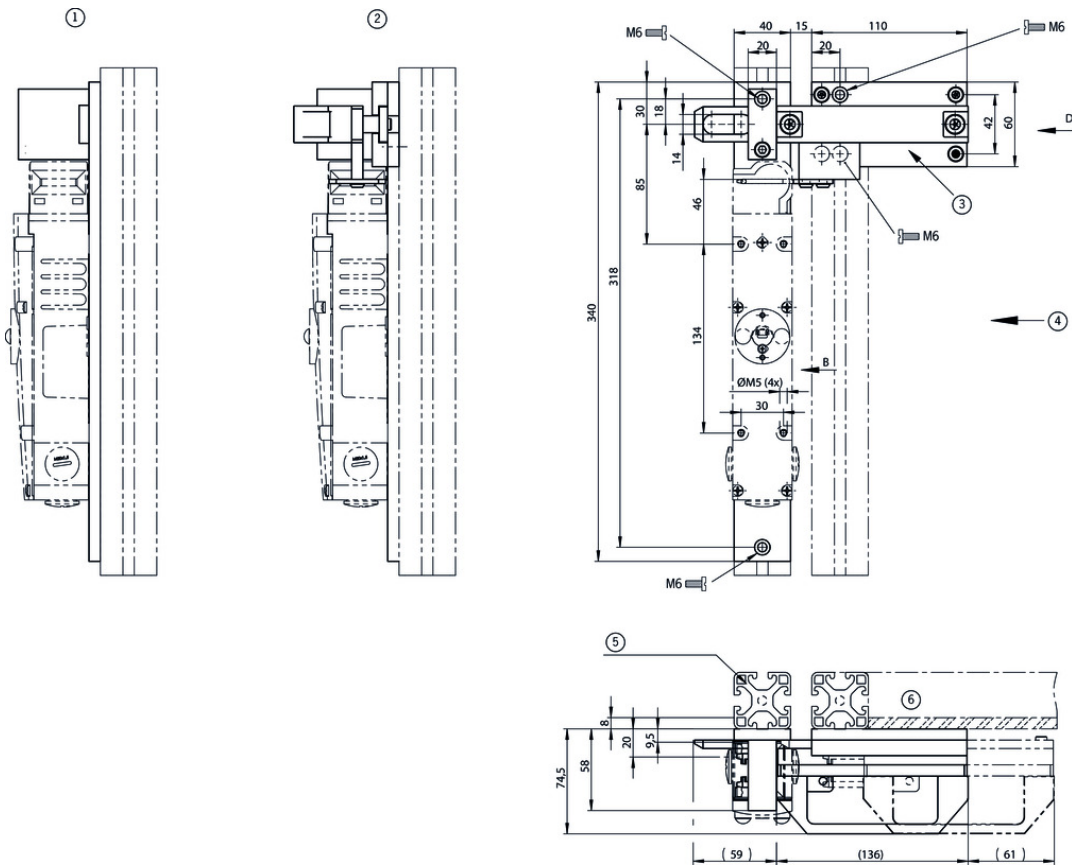
Material	Handle	Plastic
----------	--------	---------

	Guide strips	Plastic
	Base plate	Galvanized steel
	Switch bracket	Steel powder-coated
Weight	Net	2,25 kg
Escape release		No
Number of safety switches that can be fitted		1

## Miscellaneous

Detent mechanism	No
------------------	----

## Dimension drawing



## Legende

- 1 View B
- 2 View D
- 3 Attention! Bolt is not allowed to be used in conjunction with an escape release!
- 4 Safety switch TX approach direction A
- 5 Safety guard frame (40x40)
- 6 Door hinged on the right

## Spare parts

---

### ☑ Replacement handle for EUCHNER bolts



#### **093500** RIEGELGRIFF/V5

##### ☑ Features

- › Material: plastic, reinforced polypropylene (PP)
  - › Color: black, mat
  - › Temperature resistance up to 100 °C
  - › Packaging unit 5 pieces
- 

## CAD data

CAD data for this item on TraceParts