

ITEM 082991 RIEGEL TX-C

Description	Technical data	Accessories	Downloads
-------------	----------------	-------------	-----------



Features

- › Steel bolt
- › For doors hinged on the left
- › Can be locked in open position with padlocks
- › Actuator and switch bracket included

Advantages

- › Robust construction
- › Easily fitted to standard aluminum profiles and machine covers by screw connection
- › Distinctive yellow color for easy recognition
- › No additional door handle necessary

Mechanical values and environment

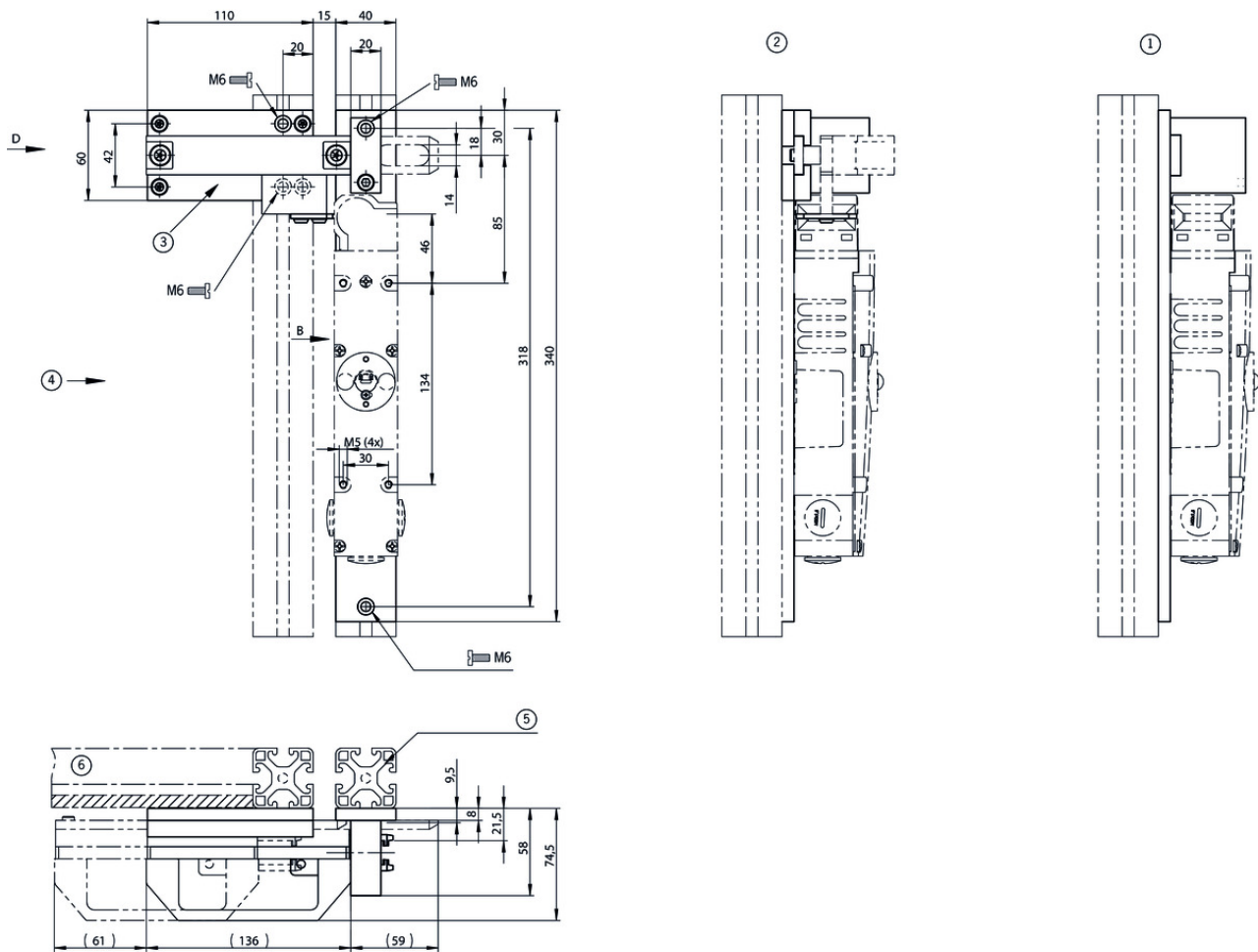
Material	Handle	Plastic
----------	--------	---------

	Guide strips	Plastic
	Base plate	Galvanized steel
	Switch bracket	Steel powder-coated
Weight		
	Net	2,25 kg
Escape release		No
Number of safety switches that can be fitted		1

Miscellaneous

Detent mechanism	No
------------------	----

Dimension drawing



Legende

- 1 View B
- 2 View D
- 3 Attention! Bolt is not allowed to be used in conjunction with an escape release!
- 4 Safety switch TX approach direction C
- 5 Safety guard frame (40x40)
- 6 Door hinged on the left

Spare parts

- ✓ Replacement handle for EUCHNER bolts



093500 RIEGELGRIFF/V5

✓ Features

- › Material: plastic, reinforced polypropylene (PP)
- › Color: black, mat
- › Temperature resistance up to 100 °C
- › Packaging unit 5 pieces

CAD data

CAD data for this item on TraceParts