

## ITEM 086186 RIEGEL TP-AF

Description	Technical data	Accessories	Downloads
-------------	----------------	-------------	-----------



### Features

- › Steel bolt
- › Lever for escape release from the danger area
- › For doors hinged on the right
- › Detent knob in open position
- › Can be locked in open position with padlocks
- › Actuator included

### Advantages

- › Robust construction
- › Easily fitted to standard aluminum profiles and machine covers by screw connection
- › Distinctive yellow color for easy recognition
- › No additional door handle necessary

### Special features

- › Bolt with detent mechanism
- › The bolt latches in open position to prevent unintentional closing of the bolt.

## Notes

- › The bolts are suitable for the series **TP...A** and **GP**
- › Order safety switch separately

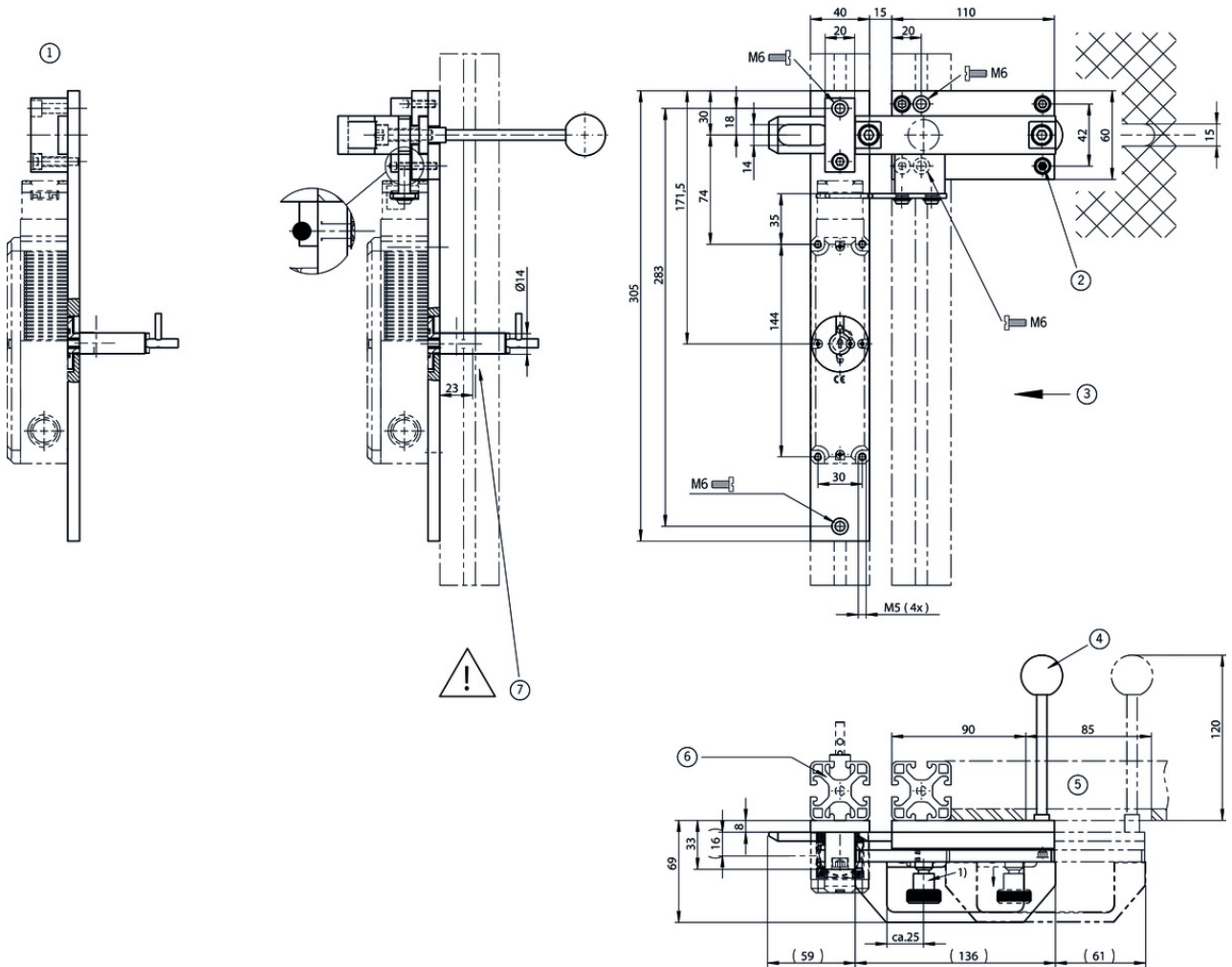
## Mechanical values and environment

Material		
	Handle	Plastic
	Guide strips	Plastic
	Base plate	Galvanized steel
	Switch bracket	Steel powder-coated
Weight		
	Net	2 kg
Escape release		Yes
Number of safety switches that can be fitted		1

## Miscellaneous

Detent mechanism		
	Open position	Bolt detent mechanism

## Dimension drawing



## Legende

- 1 View B
- 2 Stop screw locked
- 3 Safety switch TP approach direction A
- 4 Included loose
- 5 Door hinged on the right
- 6 Safety guard frame (40x40)
- 7 On the actuation of the escape release for the switch, the actuator must not be subjected to a tensile load (e.g. due to strain on the doors or pulling the lever for the bolt)
- 1) Bolt with detent mechanism. Engages in open position. (Prevents unintentional closing of the bolt) Unlocked by pulling the detent knob upward.

## Catalogs

- ✔ Bezpečnostní spínače s plastovým pouzdem Sicherheitschalter mit Kunststoffgehäuse Safety Switches with Plastic Housing Interruptores de seguridad con carcasa plástica Interrupteurs de sécurité avec boîtier plastique 塑料壳体的安全开关

Sicherheitsschalter mit Kunststoffgehäuse	096955	11-03/18		 6.6 MB
Interrupteurs de sécurité avec boîtier plastique	100677	11-03/18		 6.6 MB
Interruptores de seguridad con carcasa plástica	104855	11-03/18		 6.6 MB
Bezpečnostní spínače s plastovým pouzdem	121649	11-03/18		 6.6 MB
Safety Switches with Plastic Housing	096956	11-03/18		 6.6 MB
塑料壳体 的安全开关	116243	11-03/18		 6.2 MB

### CAD data

CAD data for this item on TraceParts