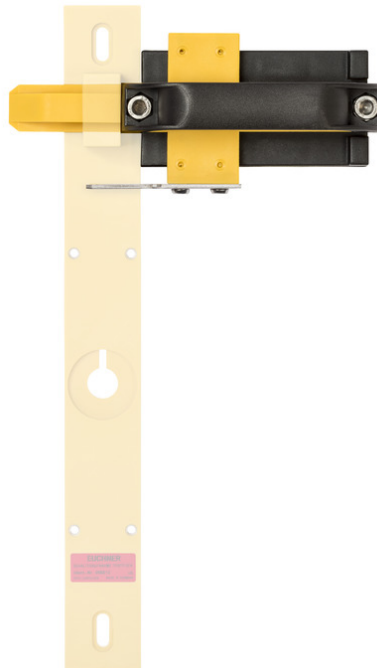


ITEM 098121 RIEGEL STP-GFK

Description	Technical data	Accessories	Downloads
-------------	----------------	-------------	-----------



Features

- › Fiber glass reinforced plastic bolt
- › For doors hinged on the left or right
- › Can be locked in open position with padlocks
- › Actuator included

Advantages

- › Light, compact construction
- › Easily fitted to standard aluminum profiles and machine covers by screw connection
- › Distinctive yellow color for easy recognition
- › No additional door handle necessary

Notes

- › Functions only in conjunction with switch bracket **TP-GFK**
- › Order safety switch separately
- › Order switch bracket separately

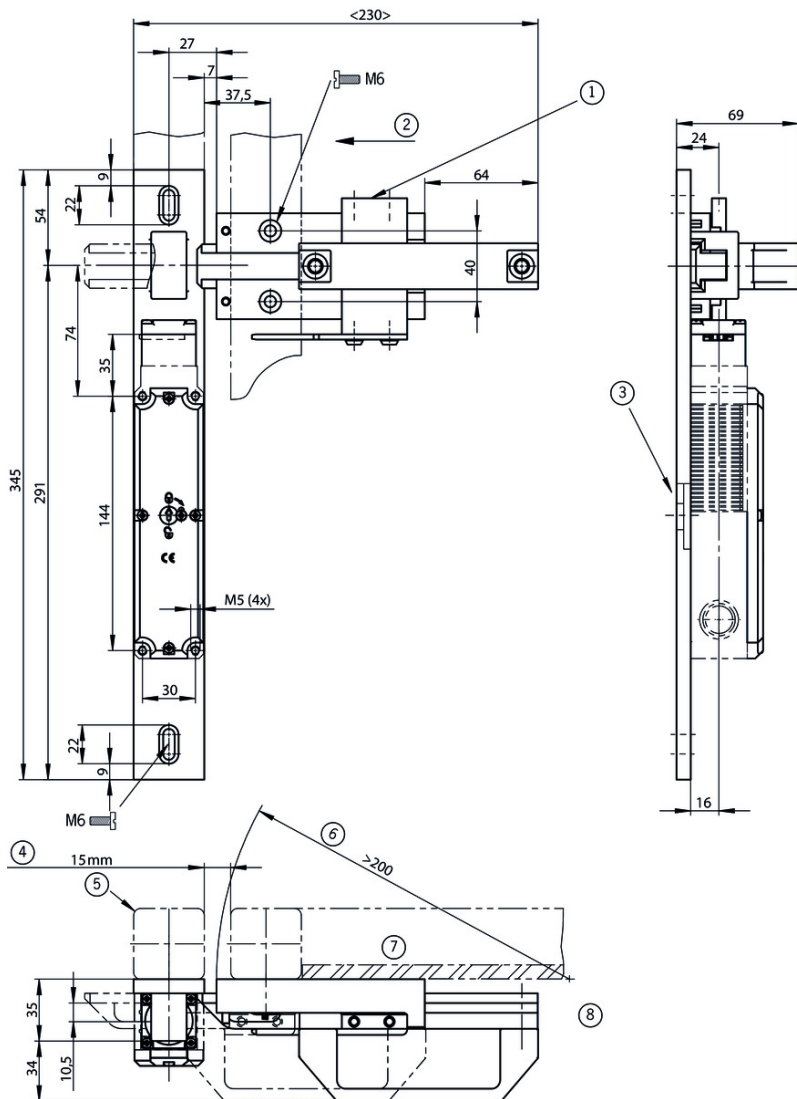
Mechanical values and environment

Material		
	Handle	Plastic
	Guide strips	Plastic
	Base plate	Plastic
	Switch bracket	Plastic
Weight		
	Net	0,5 kg
Escape release		No
Number of safety switches that can be fitted		1

Miscellaneous

Detent mechanism		No
------------------	--	----

Dimension drawing



Legende

- 1 For doors hinged on the left the actuator is to be mounted on this side and the approach direction for the switch and bolt changed.
- 2 Safety switch TP.../STP... Approach direction A
- 3 Cut-out for switch with escape release
- 4 Door gap
- 5 Safety guard frame (40x40)
- 6 Door radius
- 7 Door hinged on the right
- 8 Attention: Excessively high forces and energies can result in the failure of the plastic bolt. A risk analysis is to be undertaken by the user prior to installation.

Mounting accessories

- Switch bracket TP/STP GFK



096613 SCHALTERAUFNAHME TP/STP GFK

Features

- › Switch bracket made of fiber glass reinforced plastic
- › For left or right hinged doors

Spare parts

Replacement handle for EUCHNER bolts



093500 RIEGELGRIFF/V5

Features

- › Material: plastic, reinforced polypropylene (PP)
- › Color: black, mat
- › Temperature resistance up to 100 °C
- › Packaging unit 5 pieces

Catalogs

Bezpečnostní spínače s plastovým pouzdrém Sicherheitsschalter mit Kunststoffgehäuse Safety Switches with Plastic Housing Interruptores de seguridad con carcasa plástica Interrupteurs de sécurité avec boîtier plastique 塑料壳体 的安全开关

	Doc. no.	Version	Language	Download
Sicherheitsschalter mit Kunststoffgehäuse	096955	11-03/18		6.6 MB
Interrupteurs de sécurité avec boîtier plastique	100677	11-03/18		6.6 MB
Interruptores de seguridad con carcasa plástica	104855	11-03/18		6.6 MB
Bezpečnostní spínače s plastovým pouzdrém	121649	11-03/18		6.6 MB
Safety Switches with Plastic Housing	096956	11-03/18		6.6 MB
塑料壳体 的安全开关	116243	11-03/18		6.2 MB

Sicherheitsschalter mit Metallgehäuse Safety Switches with Metal Housing Bezpečnostní spínače s kovovým pouzdrém Interrupteurs de sécurité avec boîtier métallique 金属壳体 的安全开关 Interruptores de seguridad con carcasa metálica

	Doc. no.	Version	Language	Download
Sicherheitsschalter mit Metallgehäuse	100319	11-03/18		7.9 MB
Interrupteurs de sécurité avec boîtier métallique	100676	11-03/18		7.9 MB
Interruptores de seguridad con carcasa metálica	104856	11-03/18		14.0 MB
Safety Switches with Metal Housing	100369	11-03/18		7.9 MB
Bezpečnostní spínače s kovovým pouzdrém	121650	11-03/18		7.9 MB
金属壳体 的安全开关	102453	11-03/18		8.2 MB

CAD data

CAD data for this item on TraceParts