

ITEM 092136 RPS-W-100/175

Description	Technical data	Accessories	Downloads
-------------	----------------	-------------	-----------



Features

- › Tensioner spring for tensile force 110 N / 175 N

Approvals



Mechanical values and environment

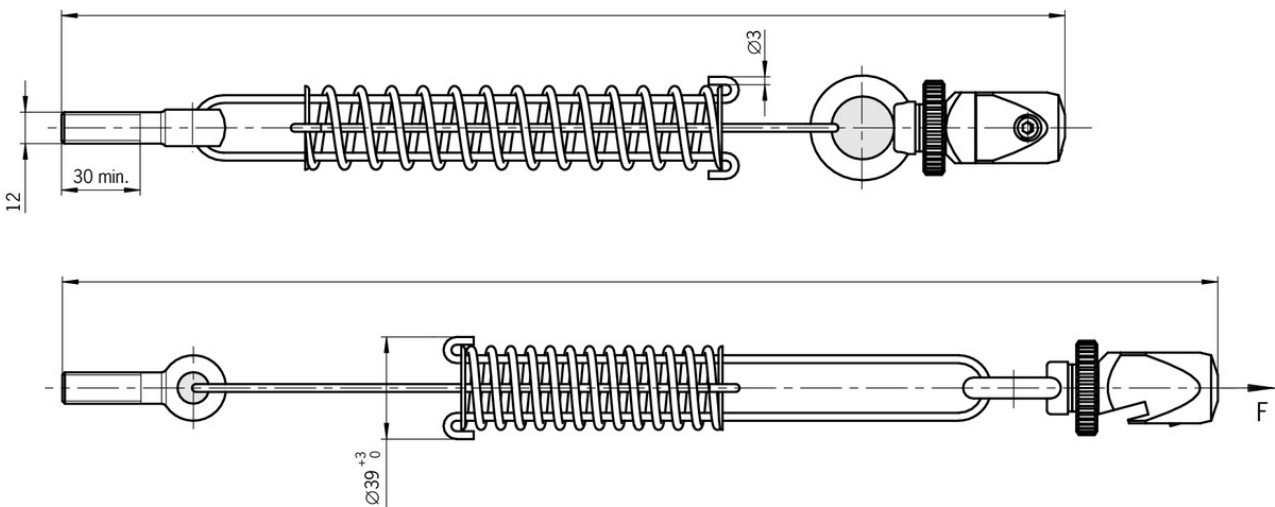
Material	Rope clamp	Die-cast zinc / steel, galvanized
	Spring	Stainless steel
	Eyebolt	Galvanized steel
Weight	Net	0,5 kg
	Ambient temperature	-25 ... 70 °C

Rope diameter	2 ... 5 mm
Mounting method	
Mounting thread	M12
Maximum spring force	218 N
Spring rate	2,1 N/mm

Miscellaneous

Additional feature	Quick-action clamping device
--------------------	------------------------------

Dimension drawing



Catalogs

- Not-Halt-Geräte/Seilzugschalter Emergency Stop Devices/Rope Pull Switches Dispositifs d'arrêt d'urgence/interrupteurs à câble Dispositivos de parada de emergencia / Interruptores de accionamiento por cable

	Doc. no.	Version	Language	Download
Not-Halt-Geräte/Seilzugschalter	106210	06-06/16		1.9 MB
Dispositifs d'arrêt d'urgence/interrupteurs à câble	116529	06-06/16		1.9 MB
Dispositivos de parada de emergencia / Interruptores de accionamiento por cable	116530	06-06/16		1.9 MB
Emergency Stop Devices/Rope Pull Switches	116448	06-06/16		1.9 MB

CAD data

CAD data for this item on TraceParts