

ITEM 037662 EINDREHWERKZEUG

Description	Technical data	Accessories	Downloads
-------------	----------------	-------------	-----------



Insertion tool

With the aid of the insertion tool, the actuator CES-A-BMB (cylindrical design) can be screwed into a prepared M12 x 0.75 thread in safety doors.

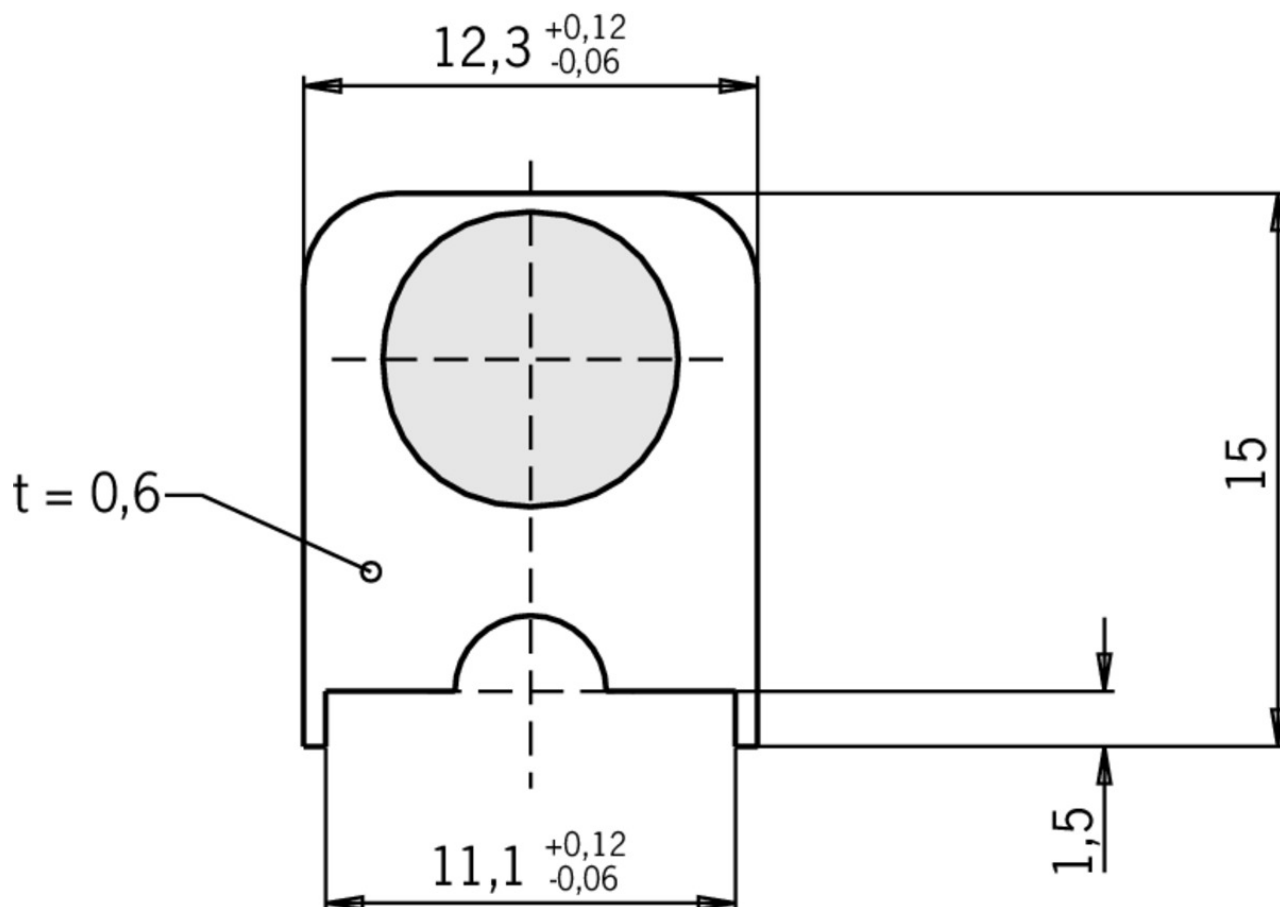
Mechanical values and environment

Material	Stainless steel
----------	-----------------

Miscellaneous

Compatibility	CES-A-BMB
---------------	-----------

Dimension drawing



CAD data

CAD data for this item on TraceParts