

ITEM 104398 BTC-NZVZ-S-TH-00-X

Description	Technical data	Accessories	Downloads
-------------	----------------	-------------	-----------



Features

- › Die-cast aluminum bolt
- › For left or right hinged doors
- › Can be locked in open position with padlocks
- › Actuator included

Advantages

- › Light, rugged construction
- › Easily fitted to standard aluminum profiles and machine covers by screw connection
- › Distinctive yellow color for easy recognition
- › Symmetrical design for doors hinged on the right or left
- › No additional door handle necessary

Notes

- › Order safety switch separately

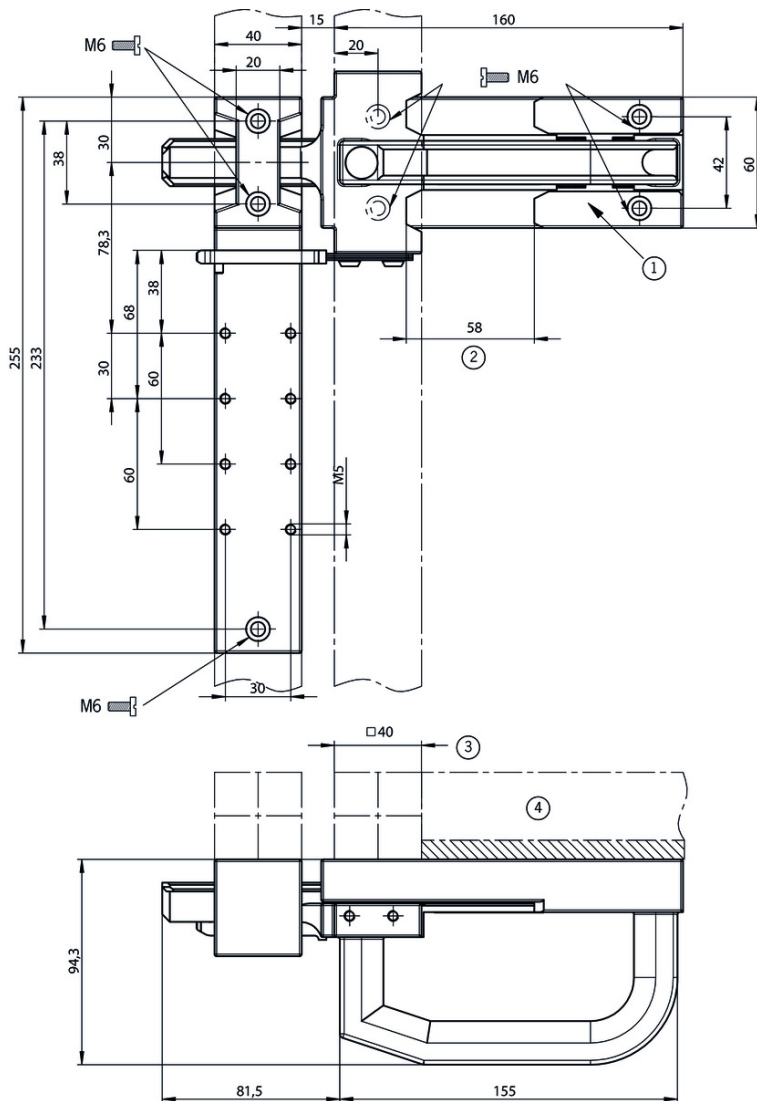
Mechanical values and environment

Material		
	Handle	Aluminum
	Guide strips	Aluminum
	Base plate	Aluminum
	Switch bracket	Aluminum
Weight		
	Net	1 kg
Escape release		No
Number of safety switches that can be fitted		1

Miscellaneous

Detent mechanism		No
------------------	--	----

Dimension drawing



Legende

- 1 Notice: Due to the symmetrical design the bolt can be used for doors hinged on the right and left.
- 2 Opening
- 3 Safety guard frame (40x40)
- 4 Door hinged on the right

Catalogs

- ▼
[Sicherheitsschalter mit Metallgehäuse Safety Switches with Metal Housing Bezpečnostní spínače s kovovým pouzdrém Interrupteurs de sécurité avec boîtier métallique 金属壳体的安全开关 Interruptores de seguridad con carcasa metálica](#)

Sicherheitsschalter mit Metallgehäuse	100319	11-03/18		 7.9 MB
Interrupteurs de sécurité avec boîtier métallique	100676	11-03/18		 7.9 MB
Interruptores de seguridad con carcasa metálica	104856	11-03/18		 14.0 MB
Safety Switches with Metal Housing	100369	11-03/18		 7.9 MB
Bezpečnostní spínače s kovovým pouzdem	121650	11-03/18		 7.9 MB
金属壳体 的安全开关	102453	11-03/18		 8.2 MB

CAD data

CAD data for this item on TraceParts