

ITEM 106301 BTC-T/GP-S-TH-00-X

Description	Technical data	Accessories	Downloads
-------------	----------------	-------------	-----------



Features

- › Aluminum bolt
- › For doors hinged on the left or right
- › Can be locked in open position with padlocks
- › Actuator included

Advantages

- › Robust construction
- › Easily fitted to standard aluminum profiles and machine covers by screw connection
- › Distinctive yellow color for easy recognition
- › No additional door handle necessary

Notes

- › The bolts are suitable for the series **TP...A** and **GP**
- › Order safety switch separately

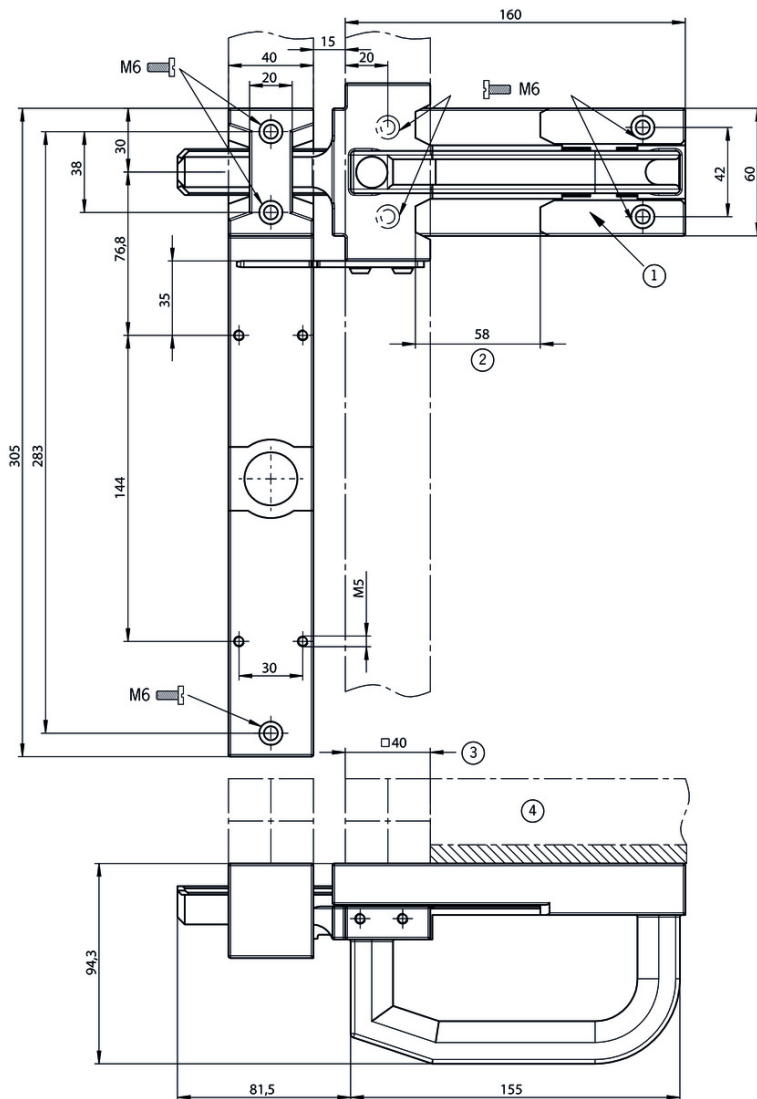
Mechanical values and environment

Material		
	Handle	Aluminum
	Guide strips	Aluminum
	Base plate	Aluminum
	Switch bracket	Aluminum
Weight		
	Net	1 kg
Escape release		No
Number of safety switches that can be fitted		1

Miscellaneous

Detent mechanism		No
------------------	--	----

Dimension drawing



Legende

- 1 Notice: Due to the symmetrical design the bolt can be used for doors hinged on the right and left.
- 2 Opening
- 3 Safety guard frame (40x40)
- 4 Door hinged on the right

Catalogs

- Bezpečnostní spínače s plastovým pouzdrém Sicherheitsschalter mit Kunststoffgehäuse Safety Switches with Plastic Housing Interruptores de seguridad con carcasa plástica Interrupteurs de sécurité avec boîtier plastique 塑料壳体的安全开关

Sicherheitsschalter mit Kunststoffgehäuse	096955	11-03/18		 6.6 MB
Interrupteurs de sécurité avec boîtier plastique	100677	11-03/18		 6.6 MB
Interruptores de seguridad con carcasa plástica	104855	11-03/18		 6.6 MB
Bezpečnostní spínače s plastovým pouzdem	121649	11-03/18		 6.6 MB
Safety Switches with Plastic Housing	096956	11-03/18		 6.6 MB
塑料壳体 的安全开关	116243	11-03/18		 6.2 MB

CAD data

CAD data for this item on TraceParts