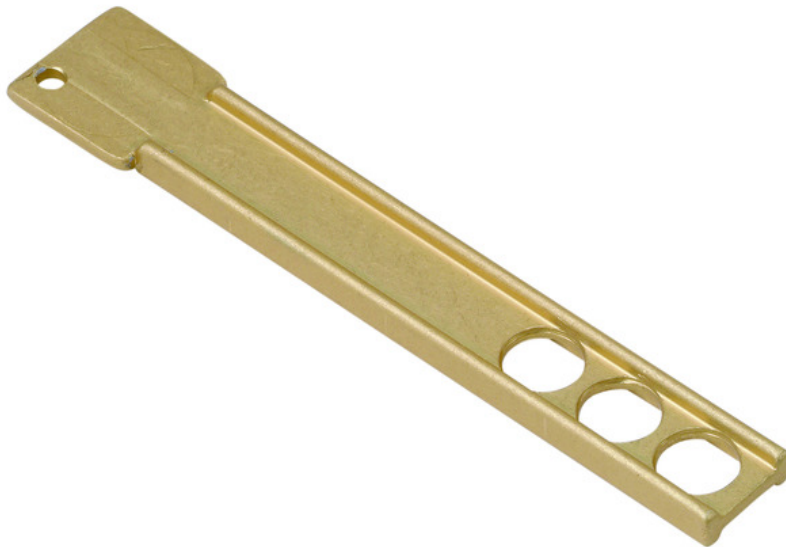


## ITEM 046730 SPERREINSATZ-Z-046730

| Description | Technical data | Accessories | Downloads |
|-------------|----------------|-------------|-----------|
|-------------|----------------|-------------|-----------|



### Features

- › Prevents unintentional closing of the door
- › Can be secured with padlocks

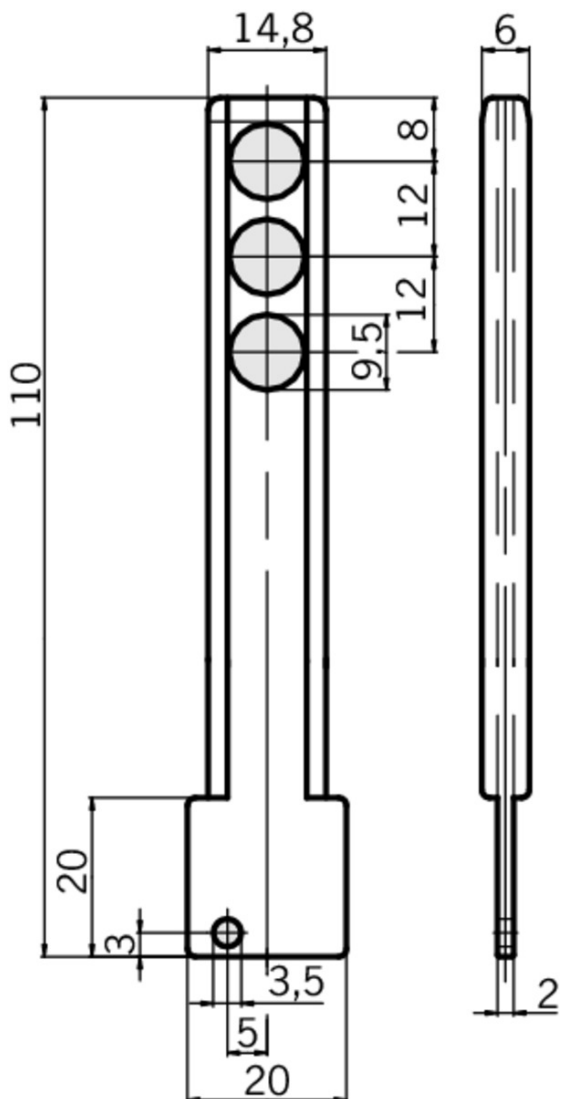
With the safety door open, it can be slid into the actuating head on a switch with separate actuator (NZ.VZ/TZ) instead of an actuator. Removal can be prevented using a commercially available padlock. For the protection of people in areas with a possible hazard.

Cannot be used in combination with the protective plate.

### Mechanical values and environment

|                 |              |
|-----------------|--------------|
| Material        | Aluminum     |
| Pin diameter    | 0 ... 9,5 mm |
| Number of holes | 3            |

## Dimension drawing



## Catalogs

- ✓
 Sicherheitsschalter mit Metallgehäuse Safety Switches with Metal Housing Bezpečnostní spínače s kovovým pouzdem Interrupteurs de sécurité avec boîtier métallique 金属壳体 的安全开关 Interruptores de seguridad con carcasa metálica

|   | Doc. no. | Version  | Language | Download |
|---|----------|----------|----------|----------|
| Sicherheitsschalter mit Metallgehäuse             | 100319   | 11-03/18 |          | 7.9 MB   |
| Interrupteurs de sécurité avec boîtier métallique | 100676   | 11-03/18 |          | 7.9 MB   |
| Interruptores de seguridad con carcasa metálica   | 104856   | 11-03/18 |          | 14.0 MB  |
| Safety Switches with Metal Housing                | 100369   | 11-03/18 |          | 7.9 MB   |
| Bezpečnostní spínače s kovovým pouzdem            | 121650   | 11-03/18 |          | 7.9 MB   |
| 金属壳体 的安全开关  | 102453   | 11-03/18 |          | 8.2 MB   |

## CAD data

CAD data for this item on TraceParts